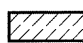

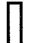


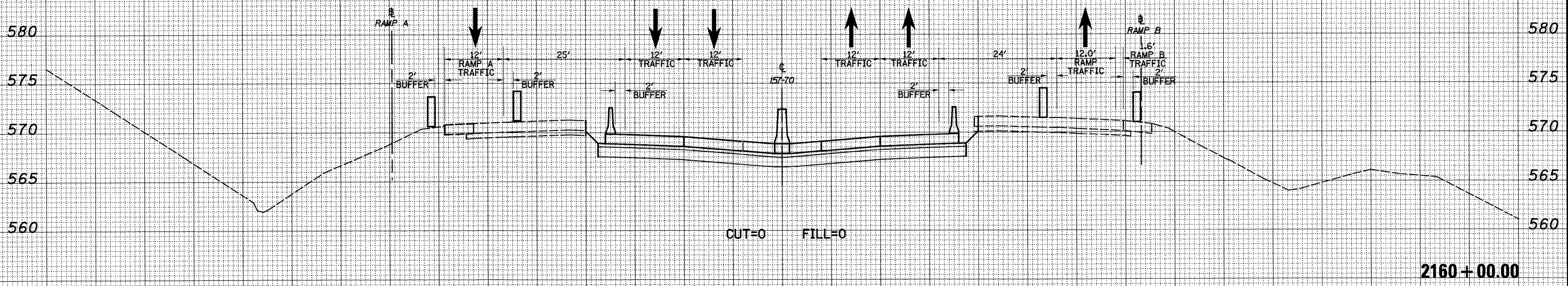


150 140 130 120 110 100 90 80 70 60 50 40 30 20 10 0 10 20 30 40 50 60 70 80 90 100 110 120 130 140 150

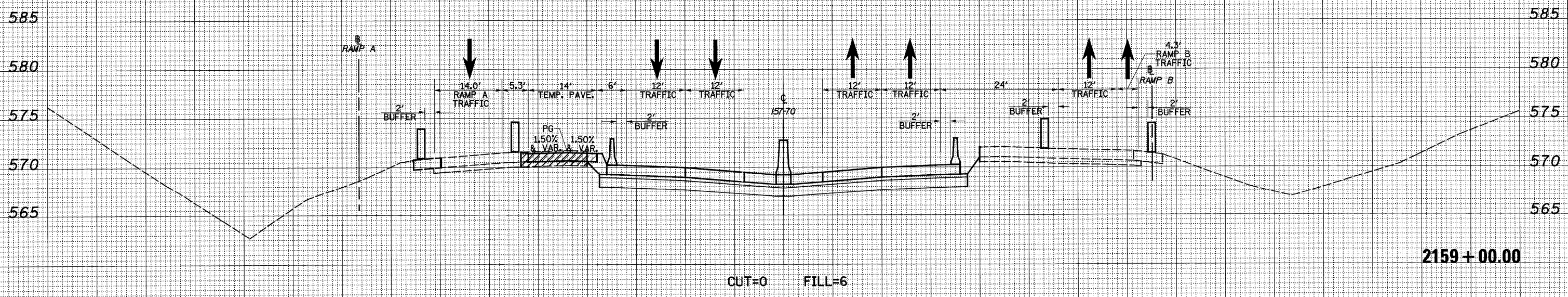
LEGEND

-  - TEMPORARY PCC PAVEMENT
-  - REMOVAL
-  - DRUM
-  - TEMPORARY CONCRETE BARRIER
-  - DIRECTION OF TRAFFIC

DATE	
BY	
FINAL SURVEY	
PLOTTED	
TEMPLATE	
NOTE BOOK	
AREAS CHECKED	
NO.	



DATE	
BY	
ORIGINAL SURVEY	
PLOTTED	
TEMPLATE	
AREAS CHECKED	
NO.	



150 140 130 120 110 100 90 80 70 60 50 40 30 20 10 0 10 20 30 40 50 60 70 80 90 100 110 120 130 140 150

FILE NAME =	USER NAME = *USER*	DESIGNED - JWS	REVISED -	STATE OF ILLINOIS DEPARTMENT OF TRANSPORTATION	MAINTENANCE OF TRAFFIC - 157/70 (PRE-STAGE 2A)	F.A.I. RTE. 57/70	SECTION (25-3,4)R	COUNTY EFFINGHAM	TOTAL SHEETS 1098	SHEET NO. 908	
#118	PLOT SCALE = #SCALE#	DRAWN - LEC	REVISED -			SCALE: 1"=10'	SHEET NO. 13 OF 28 SHEETS	STA. 2159+00.00 TO STA. 2160+00.00		FED. ROAD DIST. NO. ILLINOIS FED. AID PROJECT	
	PLOT DATE = #DATE#	CHECKED - BRM	REVISED -			CONTRACT NO. 74299					
		DATE - 4-01-08	REVISED -								