

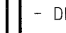




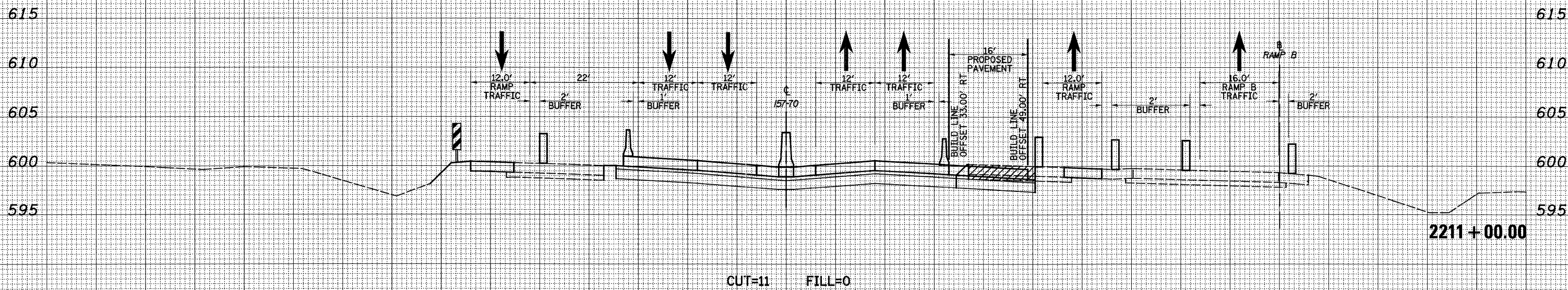
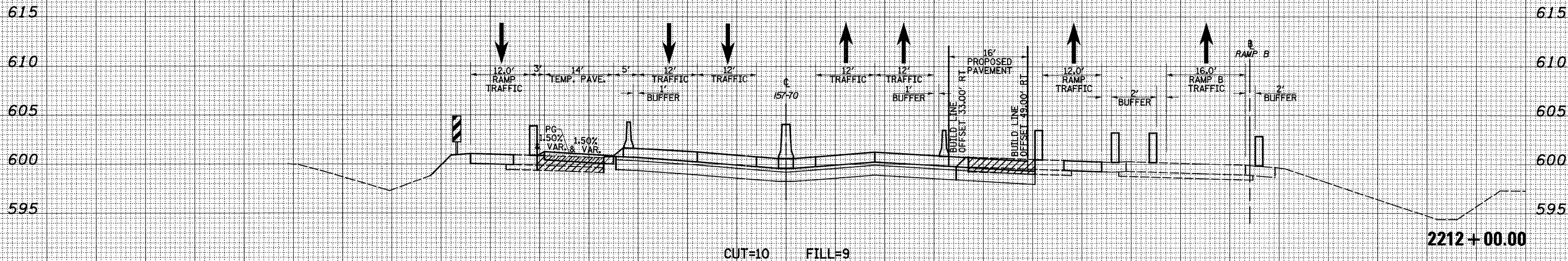
150 140 130 120 110 100 90 80 70 60 50 40 30 20 10 0 10 20 30 40 50 60 70 80 90 100 110 120 130 140 150

LEGEND

-  - TEMPORARY PCC PAVEMENT
-  - REMOVAL
-  - DRUM
-  - TEMPORARY CONCRETE BARRIER
-  - DIRECTION OF TRAFFIC

DATE _____
 BY _____
 SURVEYED _____
 PLOTTED _____
 TEMPLATE _____
 NOTE BOOK _____
 NO. _____

DATE _____
 BY _____
 SURVEYED _____
 PLOTTED _____
 TEMPLATE _____
 NOTE BOOK _____
 NO. _____



FILE NAME -	USER NAME - #USER#	DESIGNED - JWS	REVISED -	STATE OF ILLINOIS DEPARTMENT OF TRANSPORTATION	MAINTENANCE OF TRAFFIC - I57/70 (PRE-STAGE 2A)		F.A.I. RTE. 57/70	SECTION (25-3,4R)	COUNTY EFFINGHAM	TOTAL SHEETS 1098	SHEET NO. 919	
FILE#	PLOT SCALE - #SCALE#	DRAWN - LEC	REVISED -		SCALE: 1"=10'	SHEET NO. 24 OF 28 SHEETS	STA. 2211+00.00 TO STA. 2212+00.00	FED. ROAD DIST. NO.	ILLINOIS FED. AID PROJECT	CONTRACT NO. 74299		
	PLOT DATE - #DATE#	CHECKED - BRM	REVISED -									
		DATE - 4-01-08	REVISED -									