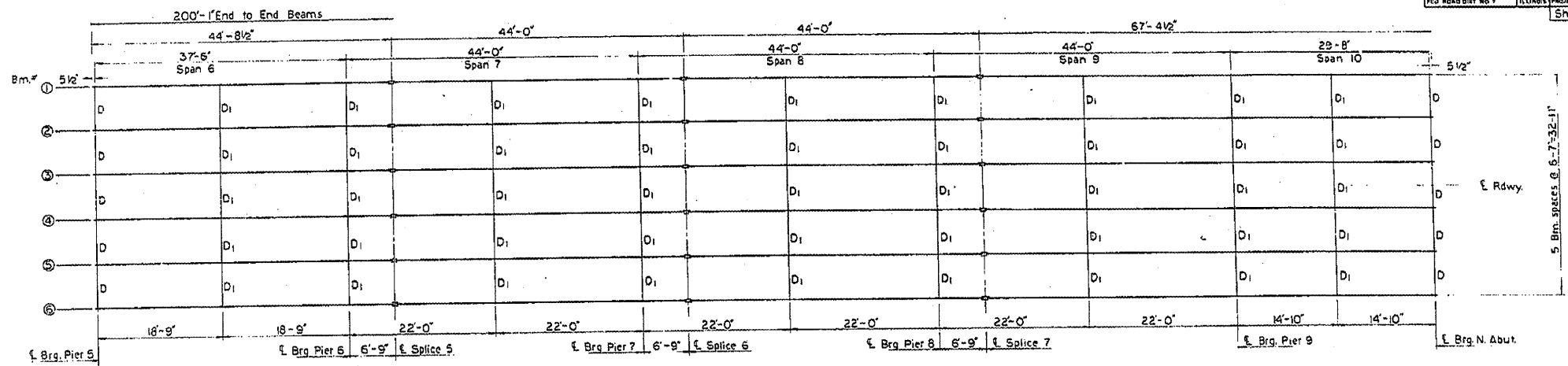
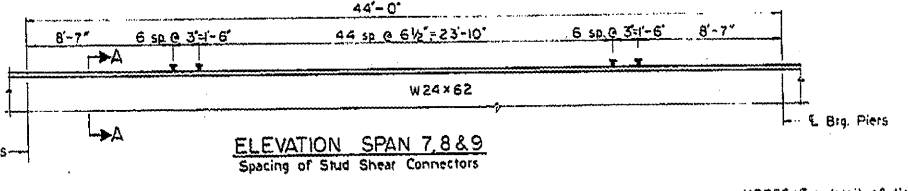
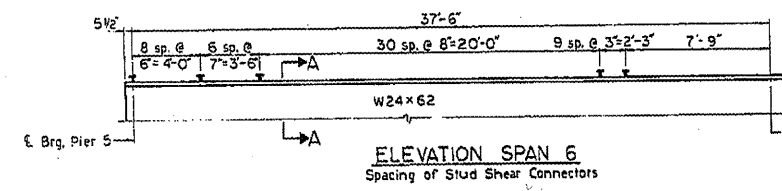


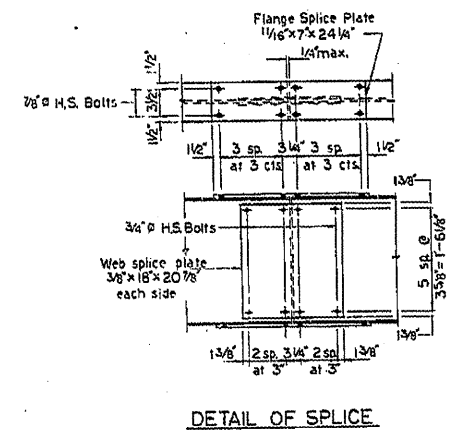
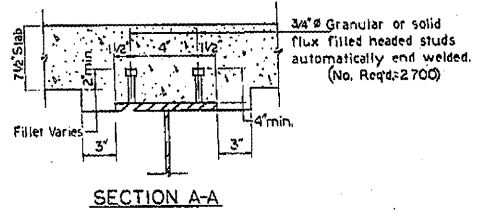
ROUTE NO.	SECTION	COUNTY	TOTAL SHEETS	SHEET NO.
F.A. 821	17BR-1	WAYNE	27	14
FED. ROAD DIST. NO. 7		ILLINOIS PROJECT		Sheet 10 of 18



FRAMING PLAN
All Beams are W24x62



NOTES: For detail of diaphragm D & D₁ see sheet 9.
No stud shear connectors required in span 10.



TOP OF BEAM ELEVATIONS

	Bm. 1 of 6	Bm. 2 of 5	Bm. 3 of 4
℄ Brg. Pier 5	412.55	412.69	412.79
℄ Brg. P-6	412.46	412.60	412.70
℄ Splice 5	412.44	412.58	412.68
℄ Brg. P-7	412.32	412.46	412.56
℄ Splice 6	412.30	412.44	412.54
℄ Brg. P-8	412.07	412.21	412.31
℄ Splice 7	412.03	412.17	412.27
℄ Brg. P-9	411.72	411.86	411.96
℄ Brg. N. Abut.	411.48	411.62	411.72

The above Elevations are for fabrication only.

UNIT II
STRUCTURAL STEEL
F.A. RT 821 SEC. 17BR-1
WAYNE COUNTY
STA. 957+95.03

MTA, INCORPORATED
DESIGNED BY [Signature] CHECKED BY [Signature] DATE 11-5-79 0701
DRAWN L.C.M.

12 8 16
74529