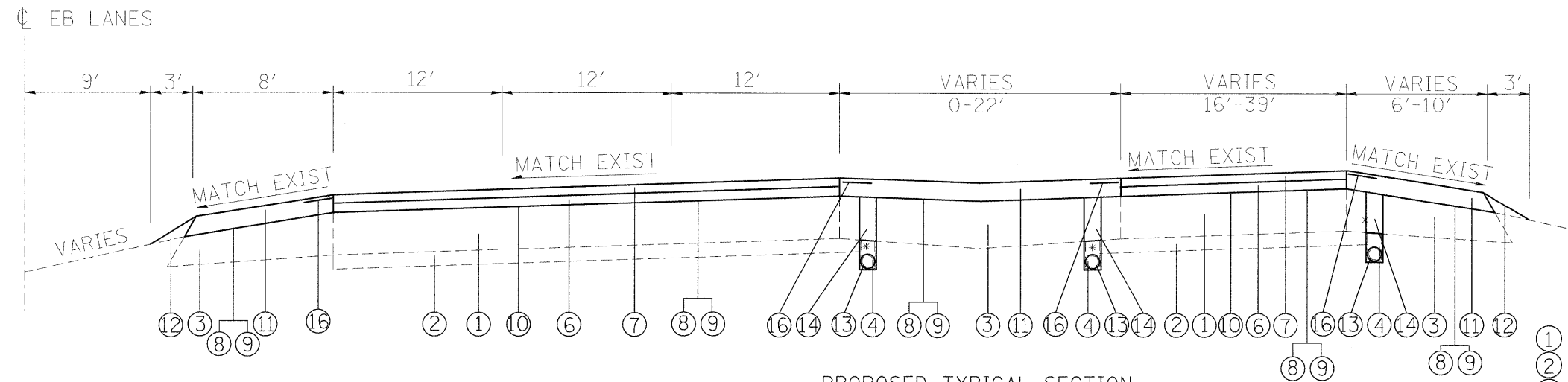
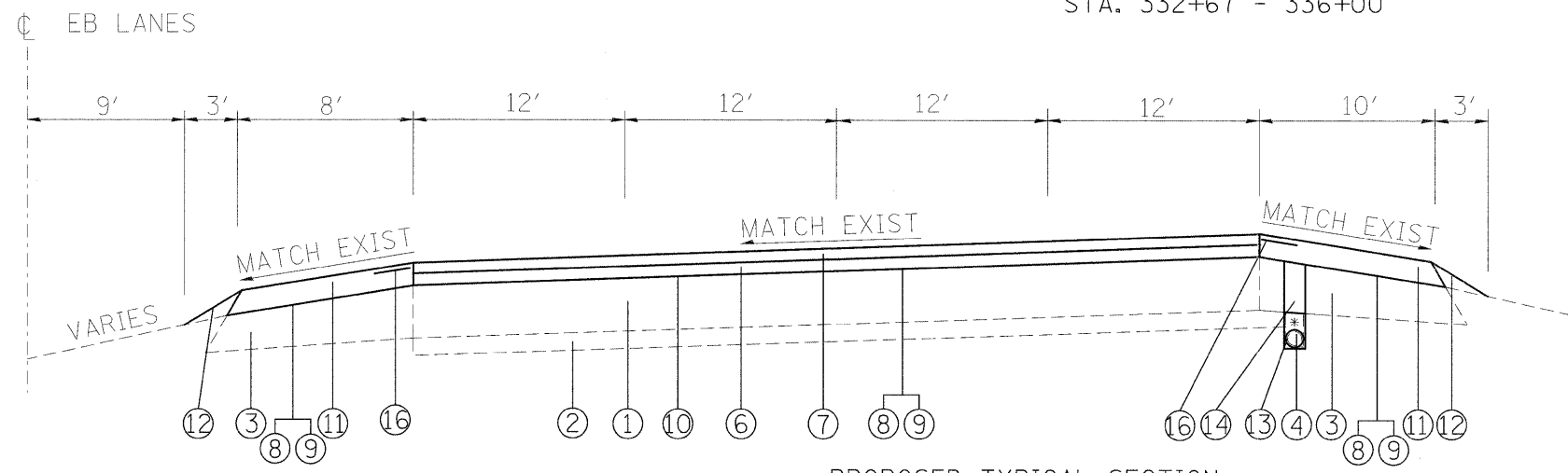


PROPOSED TYPICAL SECTION
STA. 266+41 - 296+11



PROPOSED TYPICAL SECTION
STA. 296+11 - 317+99.50
STA. 332+67 - 336+00



PROPOSED TYPICAL SECTION
STA. 317+99.50 - 332+67

- LEGEND**
- ① EXISTING CRPCC PAVEMENT, 8"
 - ② EXISTING STABILIZED SUB-BASE, 4"
 - ③ EXISTING BITUMINOUS SHOULDER, 8"
 - ④ EXISTING PIPE UNDERDRAIN
 - ⑤ EXISTING CONCRETE BARRIER, 32"
 - ⑥ PROPOSED POLY HMA BINDER COURSE, 2-1/4"
 - ⑦ PROPOSED POLY HMA SURFACE COURSE, 2"
 - ⑧ PROPOSED BITUMINOUS MATERIALS (PRIME COAT)
 - ⑨ PROPOSED AGGREGATE (PRIME COAT)
 - ⑩ PROPOSED PCC SURFACE REMOVAL, 1/2"
 - ⑪ PROPOSED HOT-MIX ASPHALT SHOULDERS, 3-3/4"
 - ⑫ PROPOSED AGGREGATE WEDGE SHOULDER, TYPE B
 - ⑬ PROPOSED PIPE UNDERDRAIN, 6"
 - ⑭ PROPOSED SHOULDER REMOVAL AND REPLACEMENT, 8"
 - ⑮ PROPOSED HIGH TENSION CABLE MEDIAN BARRIER
 - ⑯ PROPOSED SHOULDER RUMBLE STRIP
 - ⑰ PROPOSED CONCRETE BARRIER, 42"
 - ⑱ PROPOSED HMA SHOULDER - 4' (MOW STRIP)

* NOTE: SEE SCHEDULES FOR EXACT LOCATION OF PIPE UNDERDRAINS, CONCRETE BARRIER, GUARDRAIL AND CABLE MEDIAN BARRIER

FILE NAME =	USER NAME = burnsideem	DESIGNED -	REVISED -	STATE OF ILLINOIS DEPARTMENT OF TRANSPORTATION	EASTBOUND PROPOSED TYPICAL SECTIONS	F.A.I. RTE. =	SECTION	COUNTY	TOTAL SHEETS	SHEET NO.	
76415-shr-plan.dgn	76415-shr-plan.dgn	DRAWN -	REVISED -			64	82-(3,4)RS	ST. CLAIR	167	13	
PLOT SCALE = 50.0000' / 1"		CHECKED -	REVISED -			CONTRACT NO. 76415					
PLOT DATE = 10/28/2011		DATE -	REVISED -			FED. ROAD DIST. NO. - ILLINOIS FED. AID PROJECT					