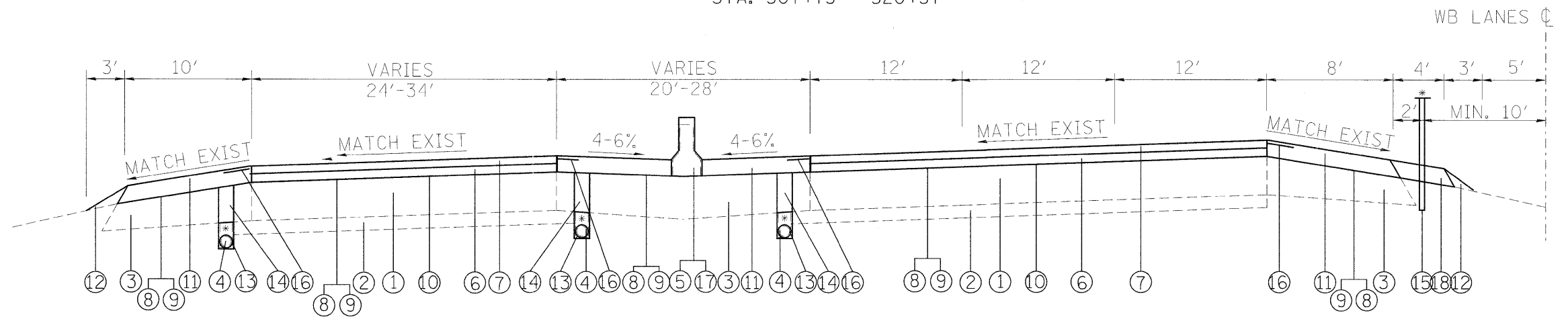


PROPOSED TYPICAL SECTION
 STA. 247+78.6 - 266+06
 STA. 307+73 - 320+57

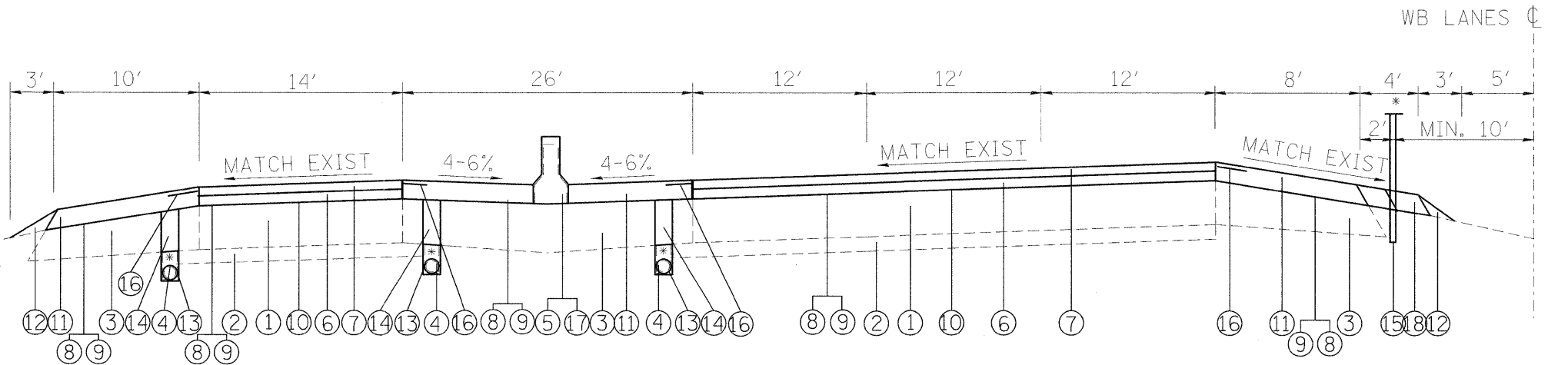


PROPOSED TYPICAL SECTION
 STA. 266+06 - 271+48
 STA. 276+00 - 287+40

LEGEND

- ① EXISTING CRPCC PAVEMENT, 8"
- ② EXISTING STABILIZED SUB-BASE, 4"
- ③ EXISTING BITUMINOUS SHOULDER, 8"
- ④ EXISTING PIPE UNDERDRAIN
- ⑤ EXISTING CONCRETE BARRIER, 32"
- ⑥ PROPOSED POLY HMA BINDER COURSE, 2-1/4"
- ⑦ PROPOSED POLY HMA SURFACE COURSE, 2"
- ⑧ PROPOSED BITUMINOUS MATERIALS (PRIME COAT)
- ⑨ PROPOSED AGGREGATE (PRIME COAT)
- ⑩ PROPOSED PCC SURFACE REMOVAL, 1/2"
- ⑪ PROPOSED HOT-MIX ASPHALT SHOULDERS, 3-3/4"
- ⑫ PROPOSED AGGREGATE WEDGE SHOULDER, TYPE B
- ⑬ PROPOSED PIPE UNDERDRAIN, 6"
- ⑭ PROPOSED SHOULDER REMOVAL AND REPLACEMENT, 8"
- ⑮ PROPOSED HIGH TENSION CABLE MEDIAN BARRIER
- ⑯ PROPOSED SHOULDER RUMBLE STRIP
- ⑰ PROPOSED CONCRETE BARRIER, 42"
- ⑱ PROPOSED HMA SHOULDER - 4' (MOW STRIP)

* NOTE: SEE SCHEDULES FOR EXACT LOCATION OF PIPE UNDERDRAINS, CONCRETE BARRIER, GUARDRAIL AND CABLE MEDIAN BARRIER



PROPOSED TYPICAL SECTION
 STA. 271+48 - 276+00
 STA. 287+40 - 297+71

FILE NAME =	USER NAME = burnsideem	DESIGNED -	REVISED -	STATE OF ILLINOIS DEPARTMENT OF TRANSPORTATION	WESTBOUND PROPOSED TYPICAL SECTIONS	F.A.I. RTE. 64	SECTION 82-(3,4)RS	COUNTY ST. CLAIR	TOTAL SHEETS 167	SHEET NO. 14	
ct:\pw_work\pwidot\burnsideem\d0109244\d	76415-shr-plan.dgn	DRAWN -	REVISED -			SCALE: _____	SHEET NO. 1 OF 1 SHEETS	FED. ROAD DIST. NO. -	ILLINOIS FED. AID PROJECT	CONTRACT NO. 76415	
	PLOT SCALE = 50.0000' / in.	CHECKED -	REVISED -			STA. _____ TO STA. _____					
	PLOT DATE = 10/28/2011	DATE -	REVISED -								