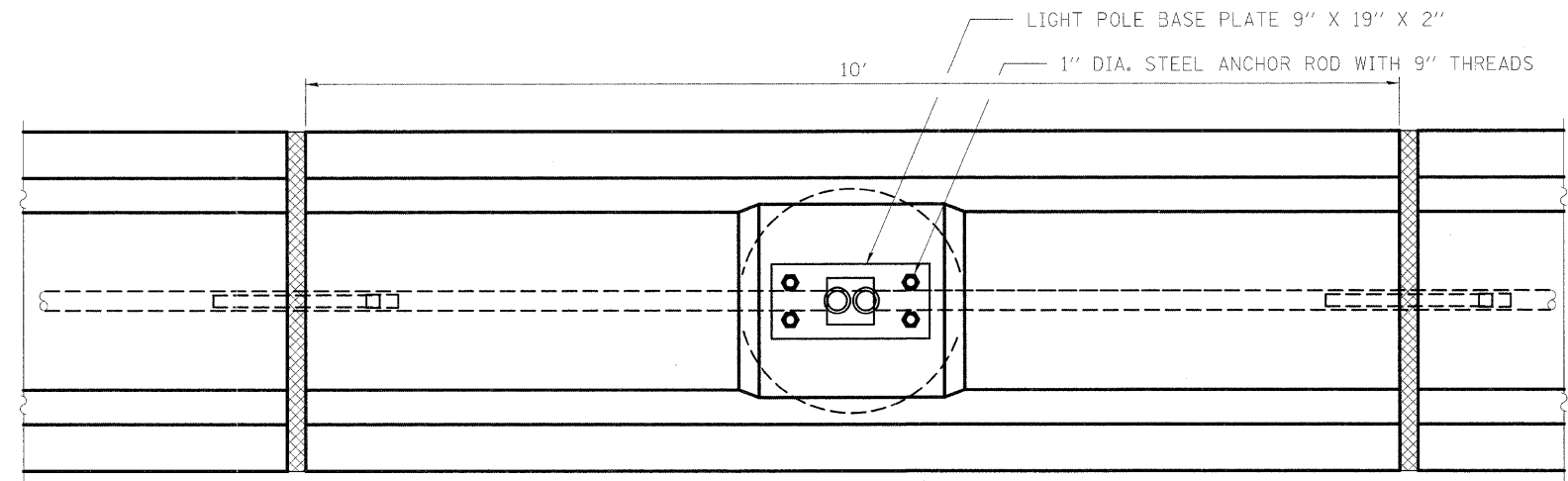
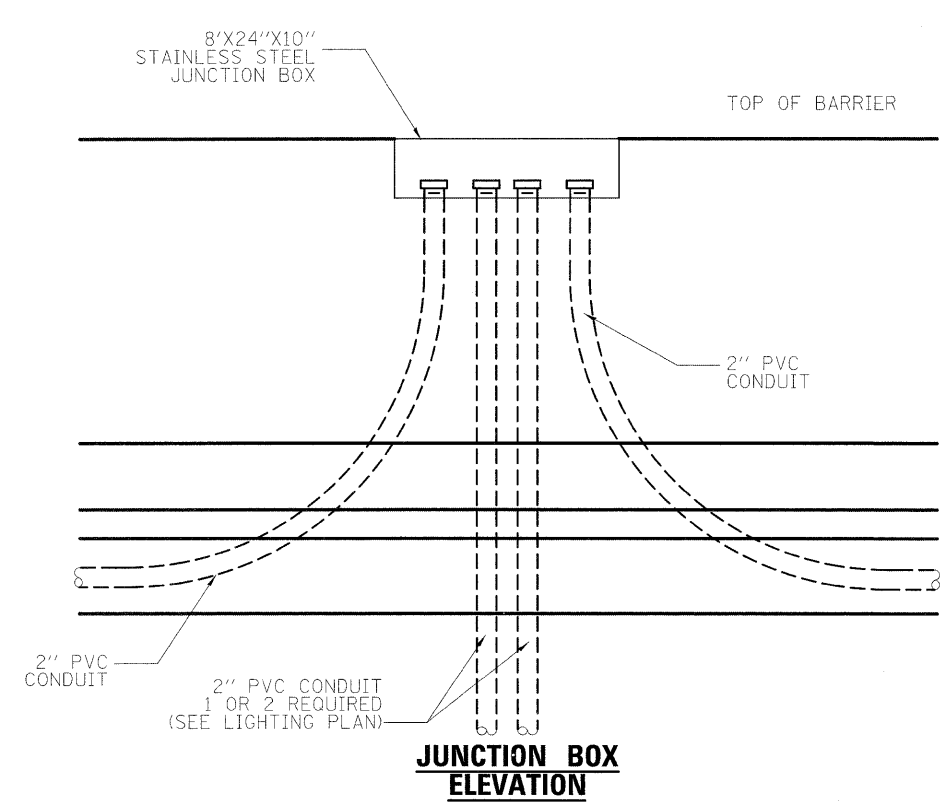


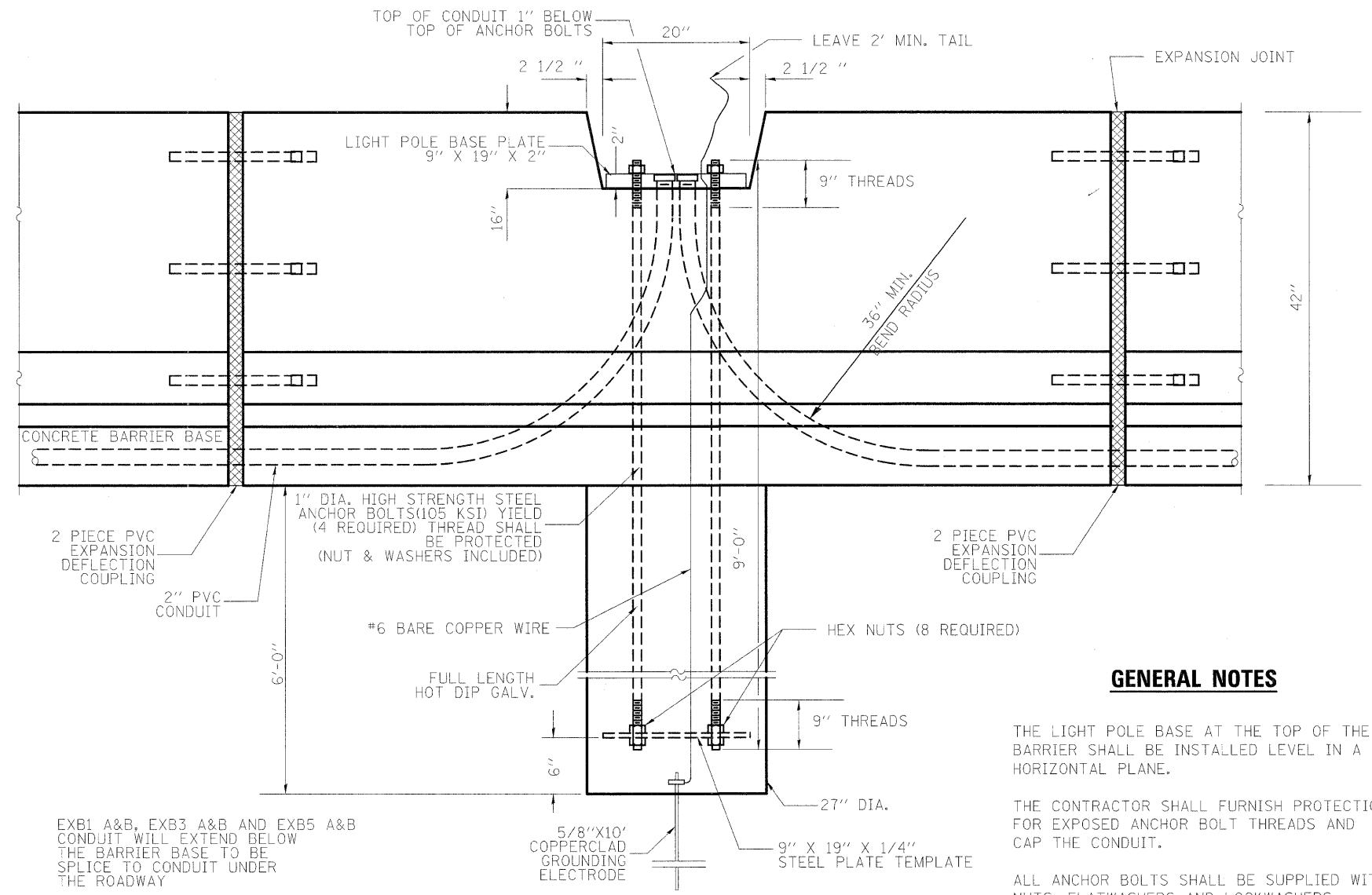
LIGHT POLE BASE PLATE



PLAN AT LIGHTING FOUNDATION



JUNCTION BOX ELEVATION



ELEVATION AT LIGHTING FOUNDATION

GENERAL NOTES

- THE LIGHT POLE BASE AT THE TOP OF THE BARRIER SHALL BE INSTALLED LEVEL IN A HORIZONTAL PLANE.
- THE CONTRACTOR SHALL FURNISH PROTECTION FOR EXPOSED ANCHOR BOLT THREADS AND CAP THE CONDUIT.
- ALL ANCHOR BOLTS SHALL BE SUPPLIED WITH NUTS, FLATWASHERS AND LOCKWASHERS.
- FOR 42" HIGH CONCRETE BARRIER DETAILS SEE HIGHWAY STANDARD 637006.

EXB1 A&B, EXB3 A&B AND EXB5 A&B CONDUIT WILL EXTEND BELOW THE BARRIER BASE TO BE SPLICE TO CONDUIT UNDER THE ROADWAY

EXB1 A&B AND EXB5 A&B HAVE A 3" CONDUIT EMBEDDED IN THE FOUNDATION

FILE NAME =	USER NAME = burnsideem	DESIGNED -	REVISED -	STATE OF ILLINOIS DEPARTMENT OF TRANSPORTATION	POLE MOUNTING ON CONCRETE BARRIER	F.A.I. RTE. =	SECTION	COUNTY	TOTAL SHEETS	SHEET NO.	
c:\pwork\pwork\burnsideem\d8189244\876415-sht-light.dgn		DRAWN -	REVISED -			64	82-(3,4)RS	ST. CLAIR	167	100	
PLOT SCALE = 49.9952' / in.		CHECKED -	REVISED -			CONTRACT NO. 76415					
PLOT DATE = 12/6/2011		DATE -	REVISED -			FED. ROAD DIST. NO. - ILLINOIS FED. AID PROJECT					