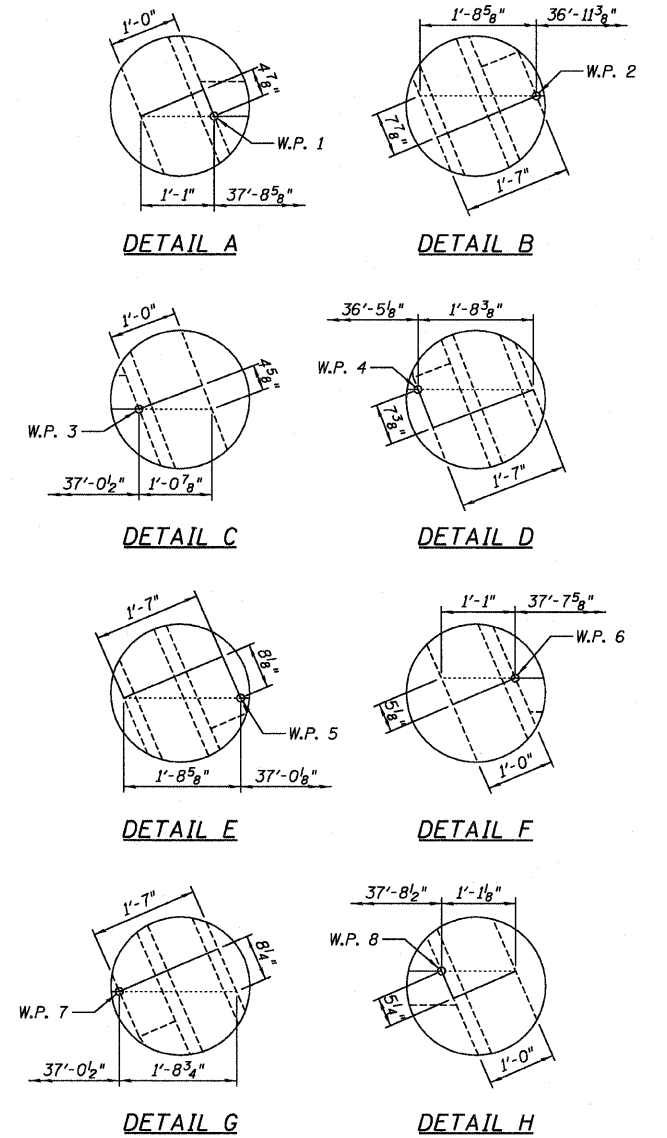
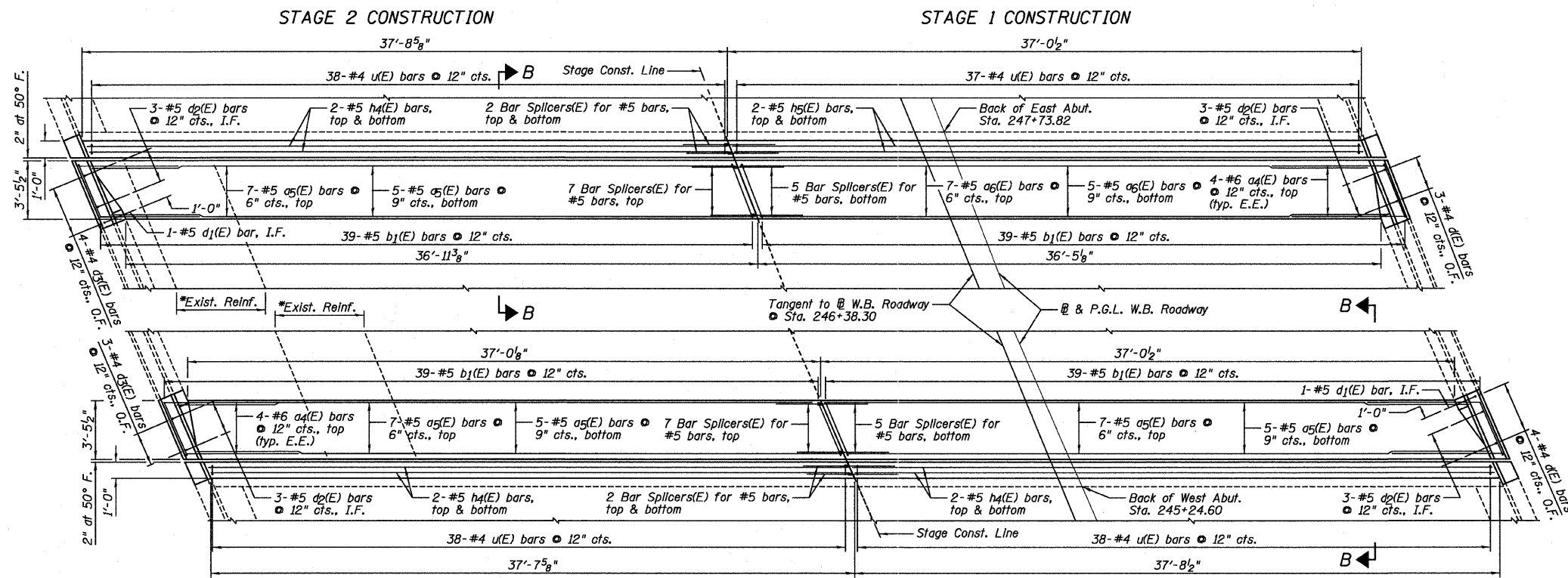


PARTIAL PLAN SHOWING CONCRETE REMOVAL



**NOTE:**  
Dimensions for Detail A thru Detail H are similar for the concrete replacement.

- NOTES:**
- Existing reinforcement extending into the removal area shall be cleaned, straightened and incorporated into the new construction. Any reinforcement bars that are damaged during concrete removal shall be replaced with an approved bar splicer or anchorage system. Cost shall be included with Concrete Removal.
  - For Section A-A and B-B, see Sheet A10.
  - E.E. denotes Each End, I.F. denotes Inside Face and O.F. denotes Outside Face.



PARTIAL PLAN SHOWING CONCRETE REPLACEMENT

**Farnsworth GROUP, INC.**  
2709 McGraw Drive  
Bloomington, Illinois 61704  
309/663-2435, 309/663-1571 fax

DESIGNED - JCZ	REVISD
CHECKED - JML	REVISD
DRAWN - DJM/JWK	REVISD
CHECKED - MSW	REVISD

STATE OF ILLINOIS  
DEPARTMENT OF TRANSPORTATION

JOINT REPLACEMENT DETAILS, WESTBOUND ROADWAY  
STRUCTURE NO. 082-0167 (E.B.)  
STRUCTURE NO. 082-0168 (W.B.)

F.A.I. RTE.	SECTION	COUNTY	TOTAL SHEETS	SHEET NO.
64	B2-(3,4)RS	ST. CLAIR	167	109
CONTRACT NO. 76415				
ILLINOIS FED. AID PROJECT				

SHEET NO. A9 OF 21 SHEETS