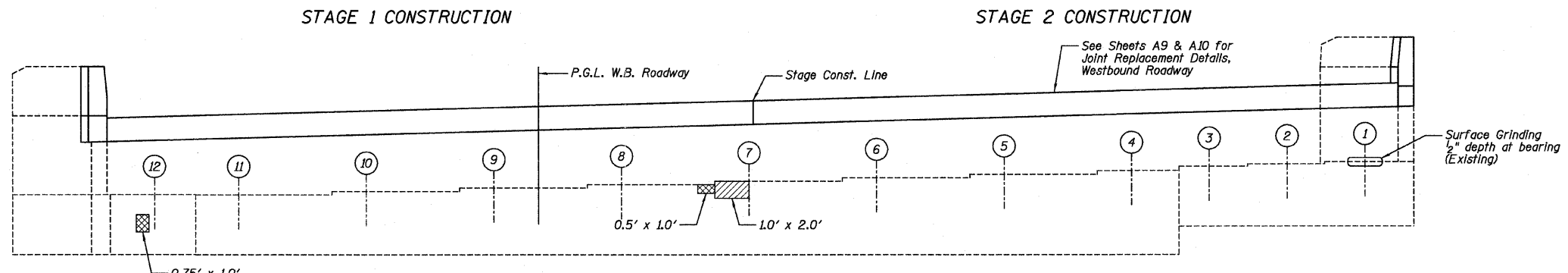
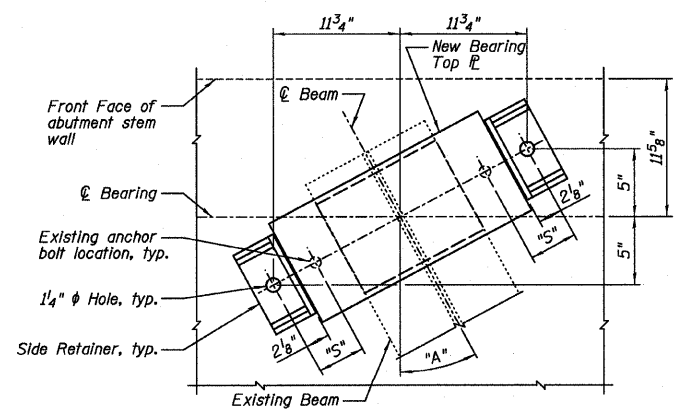


TOP VIEW



ELEVATION



BEARING PLAN AT ABUTMENT

Beam No.	Angle "A"	Dimension "S"
1-3	23°12'4"	2 1/4"
4-11	23°21'43"	4 1/4"
12	23°12'4"	2 1/4"

LEGEND

	Structural Repair of Concrete (Depth Equal to or Less than 5 Inches)
	Structural Repair of Concrete (Depth Greater than 5 Inches)

BILL OF MATERIAL

ITEM	UNIT	TOTAL
Structural Repair of Concrete (Depth Equal to or Less than 5 Inches)	Sq. Ft.	2
Structural Repair of Concrete (Depth Greater than 5 Inches)	Sq. Ft.	4

 2709 McGraw Drive Bloomington, Illinois 61704 309/993-8436, 309/993-1971 fax	DESIGNED - JCZ	REVISED	STATE OF ILLINOIS DEPARTMENT OF TRANSPORTATION	WEST ABUTMENT, WESTBOUND ROADWAY STRUCTURE NO. 082-0167 (E.B.) STRUCTURE NO. 082-0168 (W.B.)	F.A.I. RTE.	SECTION	COUNTY	TOTAL SHEETS	SHEET NO.
	CHECKED - JML	REVISED			64	82-(3,4)RS	ST. CLAIR	167	117
	DRAWN - DJM/JWK	REVISED			CONTRACT NO. 76415				
	DATE - 12/05/11	CHECKED - MSW			REVISED	ILLINOIS FED. AID PROJECT			

SHEET NO. A17 OF 21 SHEETS