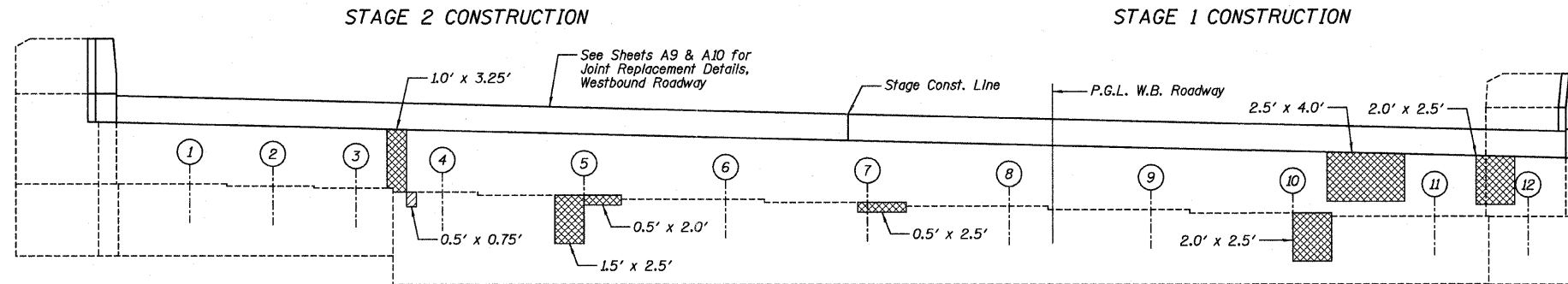
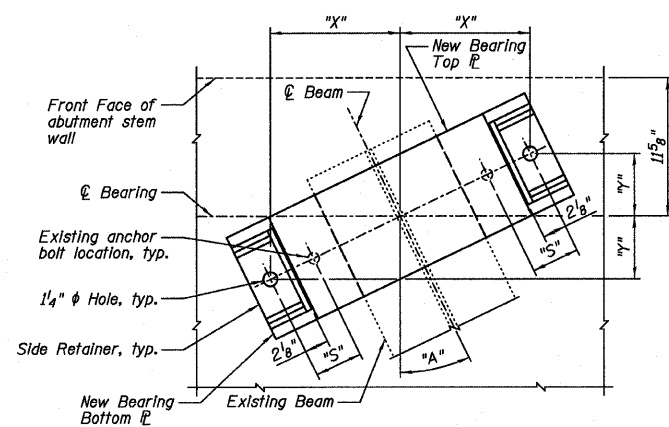


TOP VIEW

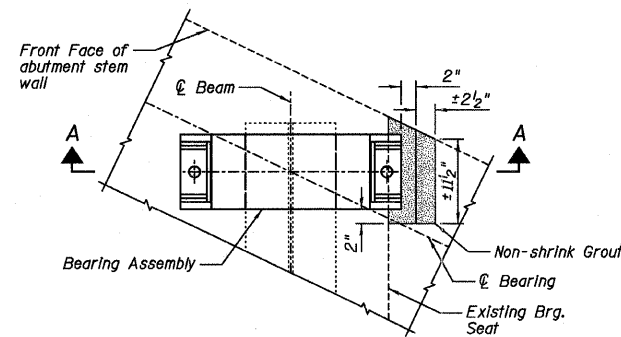


ELEVATION



BEARING PLAN AT ABUTMENT

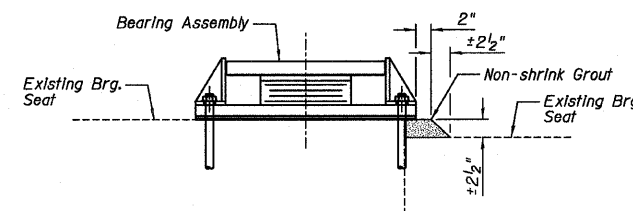
Beam No.	Angle		Dimension		
	"A"	"S"	"X"	"Y"	"Z"
1-3	21°2'15"	2 1/4"	11 7/8"	4 5/8"	
4-11	28°22'00"	4 1/4"	11 1/4"	6"	
12	21°2'15"	2 1/4"	11 7/8"	4 5/8"	



DETAIL

NOTE:

Non-shrink grout will not be paid for separately but shall be included with the cost of Elastomeric Bearing Assembly, Type II.



SECTION A-A

LEGEND

- Structural Repair of Concrete (Depth Equal to or Less than 5 Inches)
- Structural Repair of Concrete (Depth Greater than 5 Inches)
- Non-Shrink Grout

BILL OF MATERIAL

ITEM	UNIT	TOTAL
Structural Repair of Concrete (Depth Equal to or Less than 5 Inches)	Sq. Ft.	31
Structural Repair of Concrete (Depth Greater than 5 Inches)	Sq. Ft.	1

Farnsworth GROUP, INC.
2709 McGraw Drive
Bloomington, Illinois 61704
309/863-6435, 309/863-1571 fax

DESIGNED - JCZ
CHECKED - JML
DRAWN - DJM/JWK
DATE - 12/05/11

REVISOR
REVISOR
REVISOR
REVISOR

DESIGNED - JCZ
CHECKED - MSW

**STATE OF ILLINOIS
DEPARTMENT OF TRANSPORTATION**

**EAST ABUTMENT, WESTBOUND ROADWAY
STRUCTURE NO. 082-0167 (E.B.)
STRUCTURE NO. 082-0168 (W.B.)**

SHEET NO. A18 OF 21 SHEETS

F.A.I. RTE.	SECTION	COUNTY	TOTAL SHEETS	SHEET NO.
64	82-(3,4)RS	ST. CLAIR	167	118
CONTRACT NO. 76415				
ILLINOIS FED. AID PROJECT				