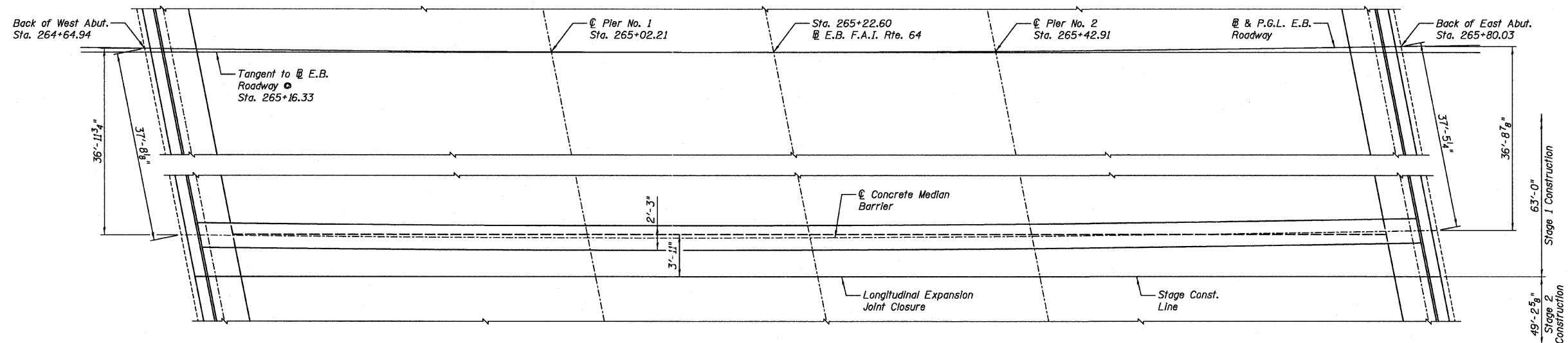


**EASTBOUND ROADWAY, ELEVATION OF CONCRETE MEDIAN BARRIER (LOOKING NORTH)**

All horizontal dimensions are parallel to Tangent @ Sta. 265+16.33



**EASTBOUND ROADWAY, PARTIAL PLAN VIEW**

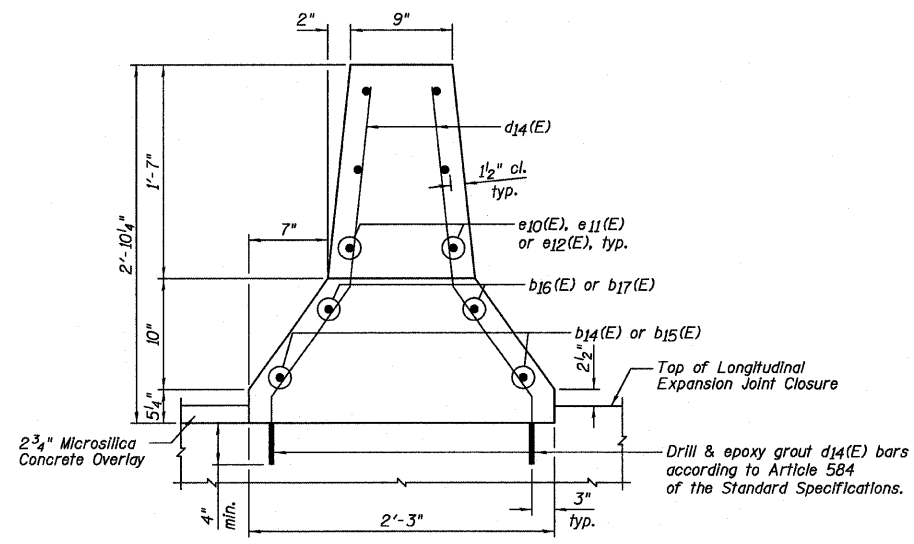
Reinforcement not shown for clarity.

**BAR LIST**

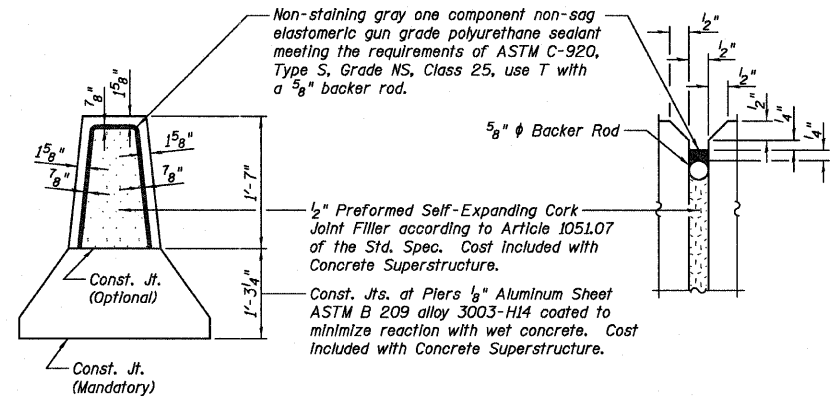
Bar	No.	Size	Length	Shape
b14(E)	4	#5	35'-2"	
b15(E)	2	#5	40'-4"	
b16(E)	4	#8	35'-2"	
b17(E)	2	#8	40'-4"	
d14(E)	242	#6	3'-3"	
e10(E)	12	#4	17'-5"	
e11(E)	12	#4	20'-0"	
e12(E)	12	#4	17'-3"	

**BILL OF MATERIAL**

Item	Unit	Total
Concrete Removal	Cu. Yd.	15.5
Concrete Superstructure	Cu. Yd.	15.8
Reinforcement Bars, Epoxy Coated	Pound	2,440



**SECTION A-A**

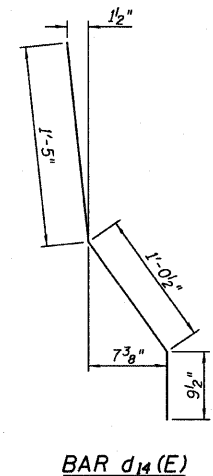


**MEDIAN BARRIER JOINT DETAILS**

(5 Joints in Median Barrier)

**LEGEND**

- Concrete Removal for Median Barrier Removal
- Concrete Removal for Expansion Joint Replacement (see Sheets B10 thru B12)



**BAR d14(E)**

**Farnsworth GROUP, INC.**  
2709 McGraw Drive  
Bloomington, Illinois 61704  
309/663-8435, 309/663-1571 fax

DESIGNED - JCZ  
CHECKED - JML  
DRAWN - DJM/JWK  
DATE - 12/05/11  
CHECKED - MSW

REVISED  
REVISED  
REVISED  
REVISED

**STATE OF ILLINOIS  
DEPARTMENT OF TRANSPORTATION**

**MEDIAN BARRIER DETAILS  
STRUCTURE NO. 082-0169 (E.B.)  
STRUCTURE NO. 082-0170 (W.B.)**

SHEET NO. B9 OF 34 SHEETS

F.A.I. RTE.	SECTION	COUNTY	TOTAL SHEETS	SHEET NO.
64	82-13,4RS	ST. CLAIR	167	130
CONTRACT NO. 76415				
ILLINOIS FED. AID PROJECT				