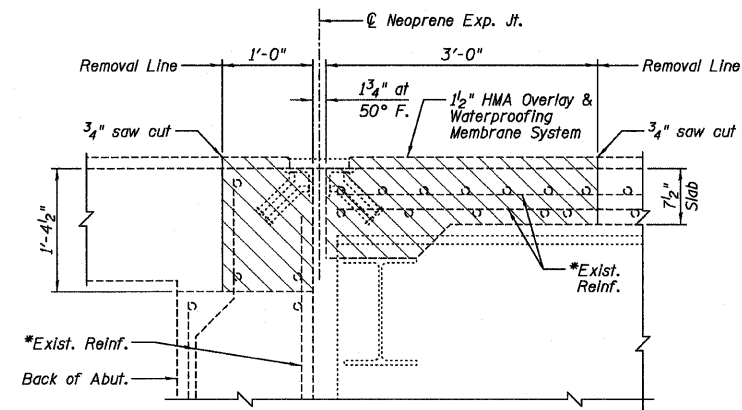
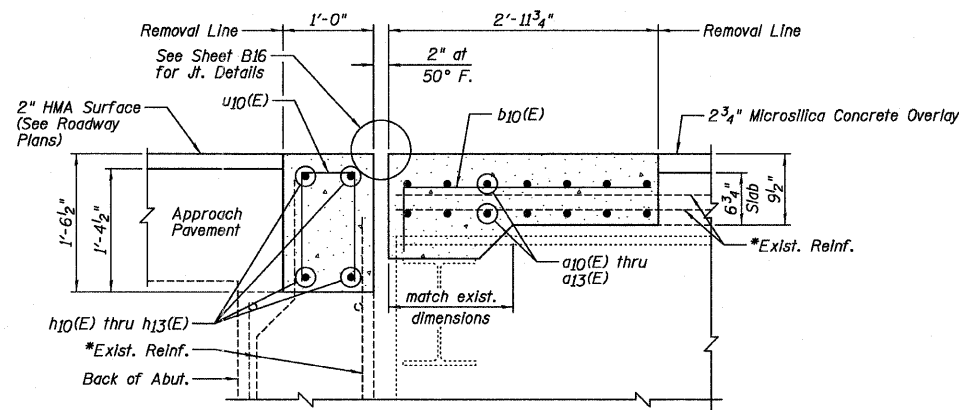


**BILL OF MATERIAL**

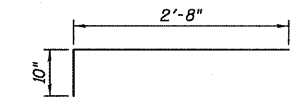
Bar	No.	Size	Length	Shape
a10(E)	56	#5	33'-10"	—
a11(E)	14	#5	23'-4"	—
a12(E)	14	#5	26'-9"	—
a13(E)	56	#5	26'-4"	—
a14(E)	16	#6	6'-6"	—
b10(E)	287	#5	3'-6"	┌
d10(E)	6	#4	5'-9"	L
d11(E)	12	#5	4'-1"	L
d12(E)	6	#4	5'-9"	L
h10(E)	16	#5	33'-5"	—
h11(E)	4	#5	22'-4"	—
h12(E)	4	#5	25'-11"	—
h13(E)	16	#5	26'-4"	—
u10(E)	282	#4	3'-2"	┌
Item		Unit	Quantity	
Concrete Removal		Cu. Yd.	41.9	
Concrete Superstructure		Cu. Yd.	48.5	
Reinforcement Bars, Epoxy Coated		Pound	7,340	
Bar Splicers		Each	72	



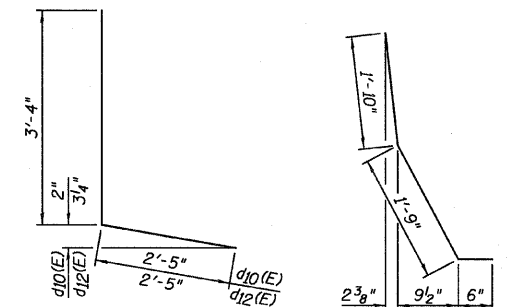
**SECTION A-A**  
(Horizontal Dimensions @ Rt. L's)



**SECTION B-B**  
(Horizontal Dimensions @ Rt. L's)

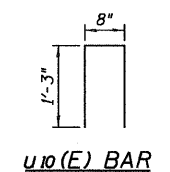


**b10(E) BAR**

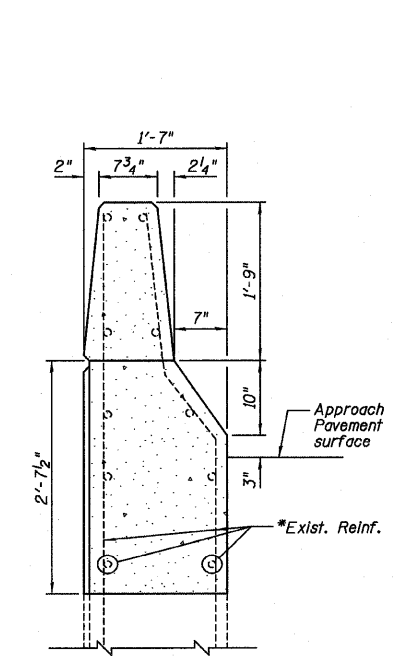


**d10(E) & d12(E) BAR**

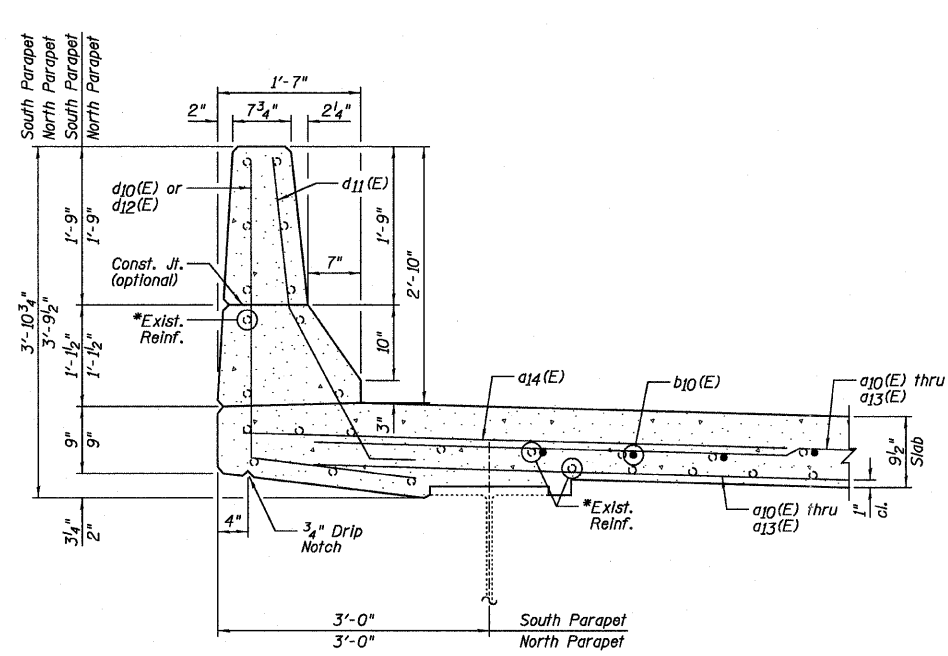
**d11(E) BAR**



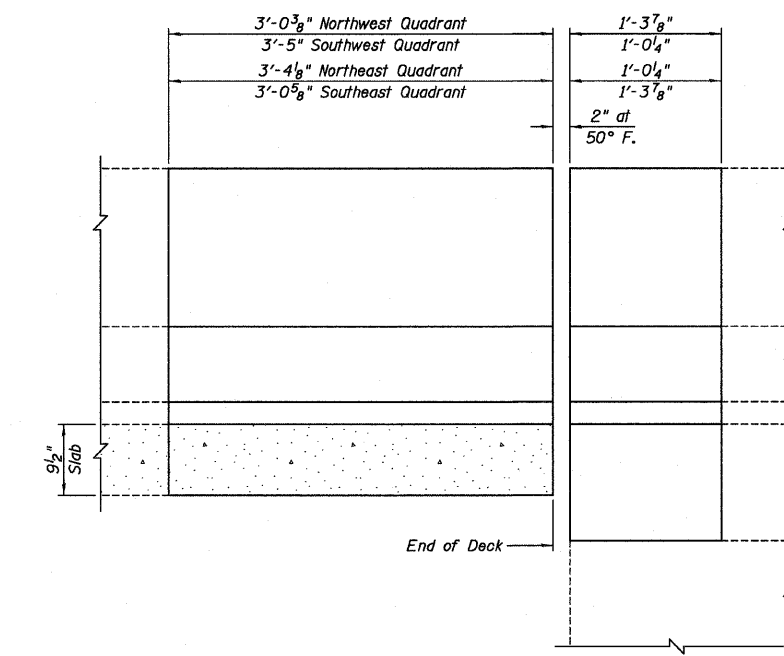
**u10(E) BAR**



**SECTION THRU WINGWALL**



**SECTION THRU PARAPET**



**INSIDE FACE PARAPET ELEVATION**  
(Dimensions measured along inside face of parapet)

**NOTES:**

- Hatched areas indicate concrete sections to be removed. Perimeters of concrete removal areas shall be saw cut 3/4" prior to the removal of the concrete.
- Existing reinforcement extending into the removal area shall be cleaned, straightened and incorporated into the new construction. Any reinforcement bars that are damaged during concrete removal shall be replaced with an approved bar splicer or anchorage system. Cost shall be included with Concrete Removal.
- For location of Section A-A, see Sheet B10. For location of Section B-B, see Sheet B11.

**Farnsworth GROUP, INC.**  
2709 McGraw Drive  
Bloomington, Illinois 61704  
309/863-8436, 309/863-1571 fax

DESIGNED - JCZ  
CHECKED - JML  
DRAWN - DJM/JWK  
DATE - 12/05/11

REVISED  
REVISED  
REVISED  
REVISED

**STATE OF ILLINOIS  
DEPARTMENT OF TRANSPORTATION**

**EXPANSION JOINT REPLACEMENT DETAILS, EASTBOUND ROADWAY  
STRUCTURE NO. 082-0169 (E.B.)  
STRUCTURE NO. 082-0170 (W.B.)**

F.A.I. RTE.	SECTION	COUNTY	TOTAL SHEETS	SHEET NO.
64	82-(3,4)RS	ST. CLAIR	167	133
				CONTRACT NO. 76415
ILLINOIS FED. AID PROJECT				