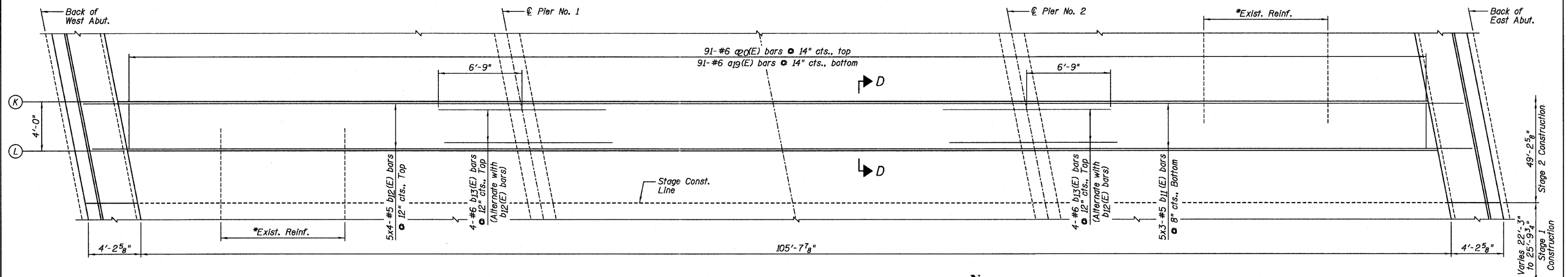


PARTIAL PLAN SHOWING CONCRETE REMOVAL



PARTIAL PLAN SHOWING CONCRETE REPLACEMENT

MIN. BAR LAP
#5 - 2'-3"

LEGEND

- Longitudinal Expansion Joint Removal
- Expansion Joint Removal

NOTES:

- 1.) *Existing reinforcement extending into the removal area shall be cleaned, straightened and incorporated into the new construction. Any reinforcement bars that are damaged during concrete removal shall be replaced with an approved bar splicer or anchorage system. Cost shall be included with Concrete Removal.
- 2.) For Sections C-C and D-D, see Sheet B19.
- 3.) Bars indicated thus 5x4-#5 etc. indicates 5 lines of bars with 4 lengths per line

Farnsworth
GROUP, INC.
2709 McGraw Drive
Bloomington, Illinois 61704
309/663-8435, 309/663-1571 fax

DESIGNED - JCZ	REVISED
CHECKED - JML	REVISED
DRAWN - DJM/JWK	REVISED
CHECKED - MSW	REVISED
DATE - 12/05/11	

STATE OF ILLINOIS
DEPARTMENT OF TRANSPORTATION

LONGITUDINAL JOINT CLOSURE DETAILS, EASTBOUND ROADWAY
STRUCTURE NO. 082-0169 (E.B.)
STRUCTURE NO. 082-0170 (W.B.)

SHEET NO. B18 OF 34 SHEETS

F.A.I. RTE.	SECTION	COUNTY	TOTAL SHEETS	SHEET NO.
64	B2-(3,4)RS	ST. CLAIR	167	139
CONTRACT NO. 76415			ILLINOIS FED. AID PROJECT	