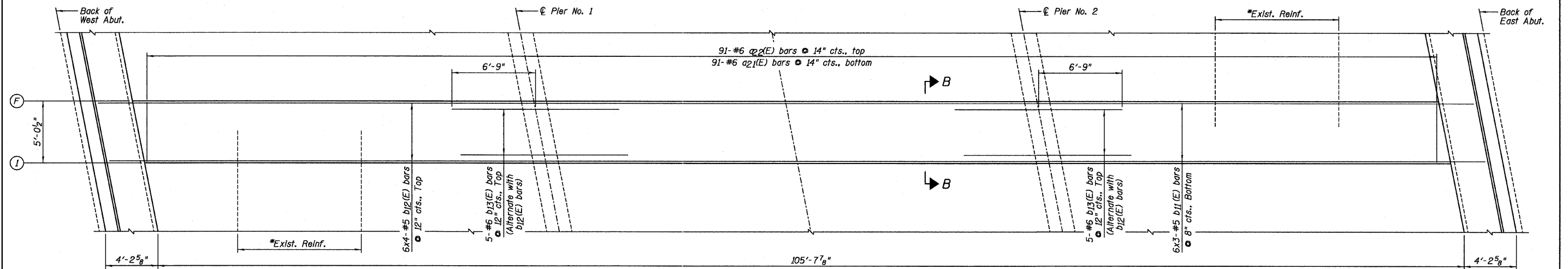


PARTIAL PLAN SHOWING CONCRETE REMOVAL



PARTIAL PLAN SHOWING CONCRETE REPLACEMENT



MIN. BAR LAP  
#5 - 2'-3"

LEGEND

- Longitudinal Expansion Joint Removal
- Expansion Joint Removal

NOTES:

- 1.) \*Existing reinforcement extending into the removal area shall be cleaned, straightened and incorporated into the new construction. Any reinforcement bars that are damaged during concrete removal shall be replaced with an approved bar splicer or anchorage system. Cost shall be included with Concrete Removal.
- 2.) For Sections A-A and B-B, see Sheet B21.

<b>Farnsworth</b> GROUP, INC. <small>2709 McGraw Drive Bloomington, Illinois 61704 309/663-8435, 309/663-1571 fax</small>	DESIGNED - JCZ	REVISED	<b>STATE OF ILLINOIS</b> <b>DEPARTMENT OF TRANSPORTATION</b>	<b>LONGITUDINAL JOINT CLOSURE DETAILS, WESTBOUND ROADWAY</b> <b>STRUCTURE NO. 082-0169 (E.B.)</b> <b>STRUCTURE NO. 082-0170 (W.B.)</b>	F.A.I. RTE.	SECTION	COUNTY	TOTAL SHEETS	SHEET NO.
	CHECKED - JML	REVISED			64	82-(3,4)RS	ST. CLAIR	167	141
	DRAWN - DJM/JWK	REVISED			CONTRACT NO. 76415				
	DATE - 12/05/11	CHECKED - MSW			REVISED	ILLINOIS FED. AID PROJECT			