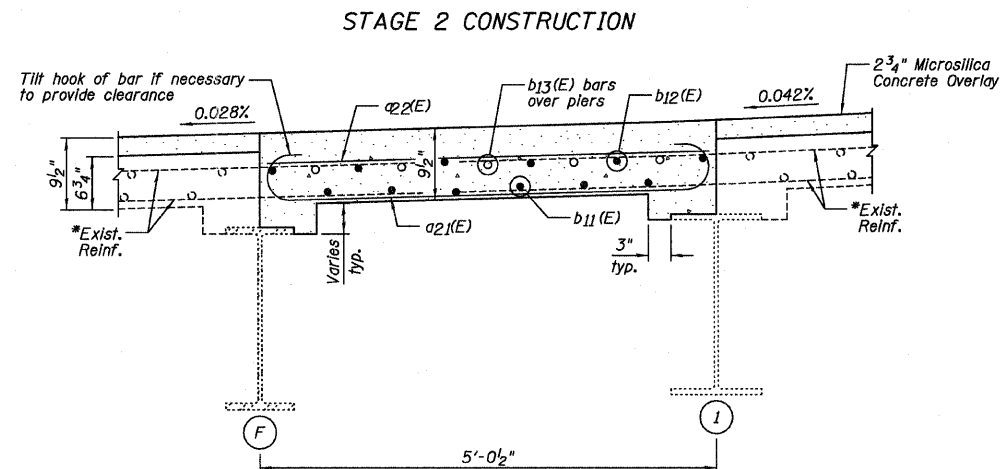


SECTION A-A
 (Horizontal Dimensions \bullet Rt. L's)
 (Existing 1/2" HMA Overlay & Waterproofing Membrane System not shown.)

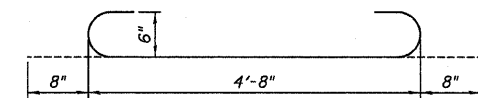


SECTION B-B
 (Horizontal Dimensions \bullet Rt. L's)

BILL OF MATERIAL

Bar	No.	Size	Length	Shape
a21(E)	91	#6	6'-0"	
a22(E)	91	#6	4'-8"	—
b11(E)	18	#5	38'-7"	—
b12(E)	24	#5	29'-6"	—
b13(E)	10	#6	13'-6"	—
Item	Unit	Quantity		
Concrete Removal	Cu. Yd.	17.0		
Concrete Superstructure	Cu. Yd.	16.9		
Reinforcement Bars, Epoxy Coated	Pound	3,120		

Note: The quantities listed are for the Longitudinal Joint Closure only.



a21(E) BAR

NOTES:

- Hatched areas indicate concrete sections to be removed. Perimeters of concrete removal areas shall be saw cut 3/4" prior to the removal of the concrete.
- Existing reinforcement extending into the removal area shall be cleaned, straightened and incorporated into the new construction. Any reinforcement bars that are damaged during concrete removal shall be replaced with an approved bar splicer or anchorage system. Cost shall be included with Concrete Removal.
- For location of Sections A-A and B-B, see Sheet B20.

DESIGNED - JCZ	REVISION
CHECKED - JML	REVISION
DRAWN - DJM/JWK	REVISION
CHECKED - MSW	REVISION
DATE - 12/05/11	

F.A.I. RTE.	SECTION	COUNTY	TOTAL SHEETS	SHEET NO.
64	B2-(3,4)RS	ST. CLAIR	167	142
				CONTRACT NO. 76415
ILLINOIS FED. AID PROJECT				