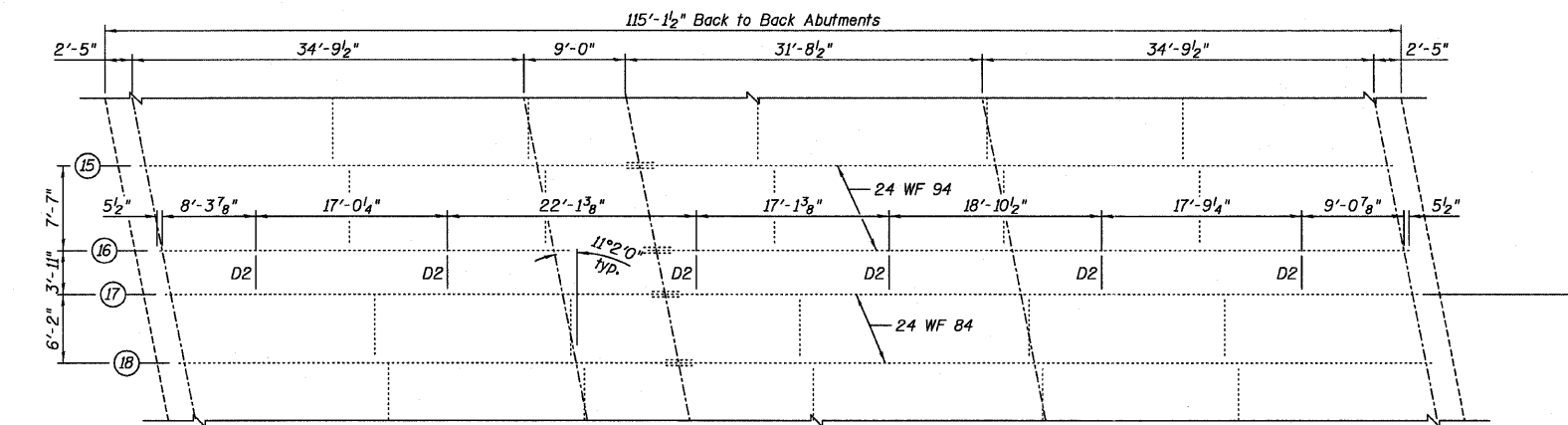
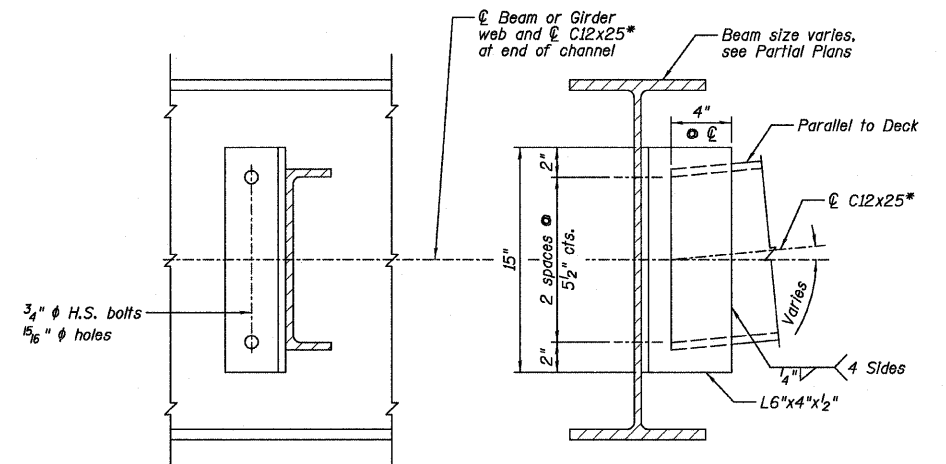
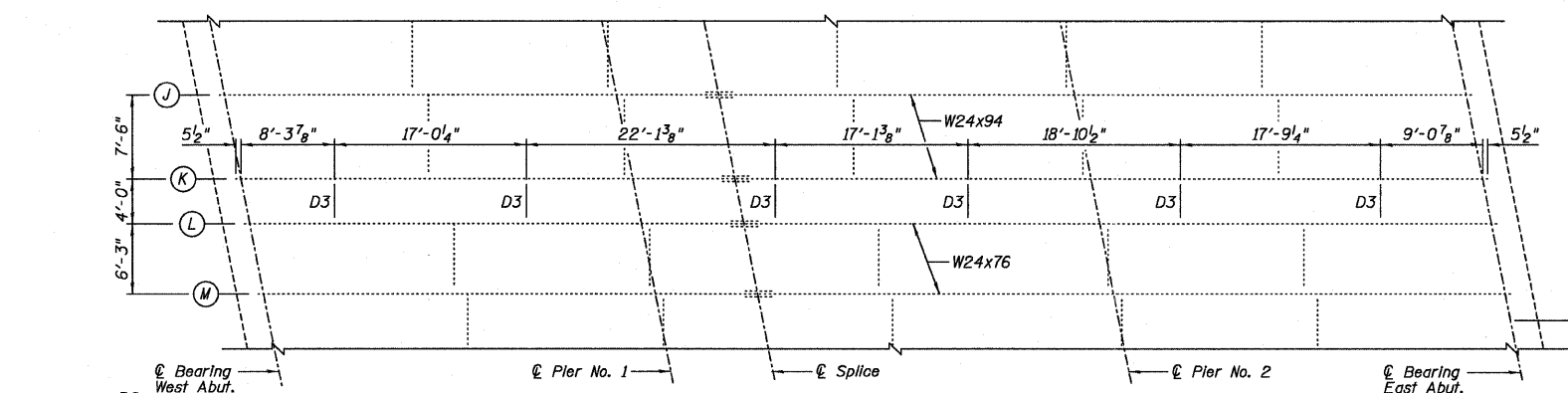


PARTIAL PLAN - WESTBOUND ROADWAY
(Stage 2 Construction)



PARTIAL PLAN - EASTBOUND ROADWAY
(**Dimension to face of parapet)



INTERIOR DIAPHRAGMS - D2, D3, D4
(6 - Required, Each)

NOTES:

- 1.) Detail 5/16" φ holes for all 3/4" φ bolts
- 2.) Two hardened washers shall be required for each set of oversized holes.
- 3.) For Bill of Material, see Sheet B22.
- 4.) Install new diaphragms before pouring the Longitudinal Joint Closure at each location (see Sheets B17 - B21). Alternate channels are permitted to facilitate material acquisition.
- 5.) * Calculated weight of structural steel is based on the lighter section. The alternate, if utilized, shall be provided at no extra cost to the Department. Either channel section C12x25 or C12x30 is acceptable for the interior diaphragms

Farnsworth
GROUP, INC.
2709 McGraw Drive
Bloomington, Illinois 61704
309/663-8435, 309/663-1571 fax

DESIGNED - JCZ
CHECKED - JML
DRAWN - DJM/JWK
DATE - 12/05/11

REVISED
REVISED
REVISED
REVISED

STATE OF ILLINOIS
DEPARTMENT OF TRANSPORTATION

STRUCTURAL STEEL
STRUCTURE NO. 082-0169 (E.B.)
STRUCTURE NO. 082-0170 (W.B.)

SHEET NO. B22A OF 34 SHEETS

F.A.I. RTE.	SECTION	COUNTY	TOTAL SHEETS	SHEET NO.
64	82-(3,4)RS	ST. CLAIR	167	143A
				CONTRACT NO. 76415
ILLINOIS FED. AID PROJECT				