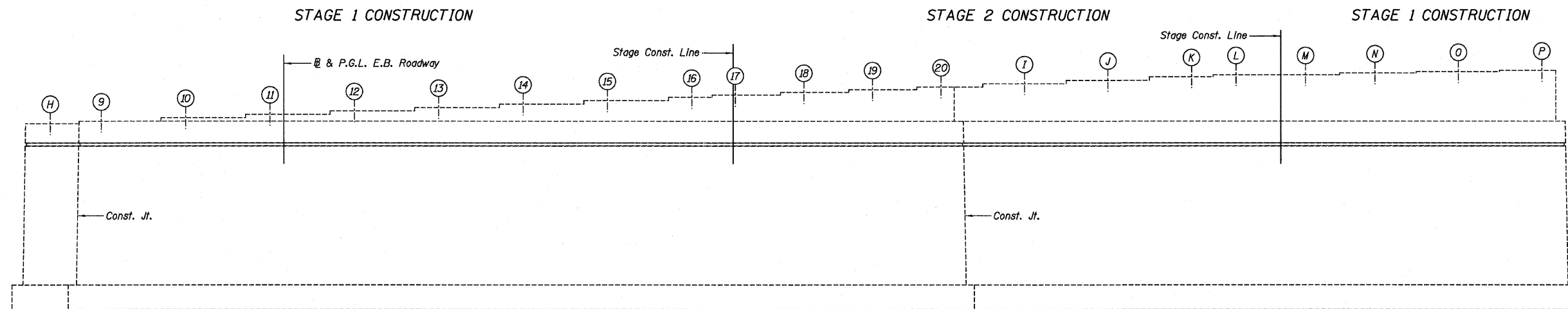
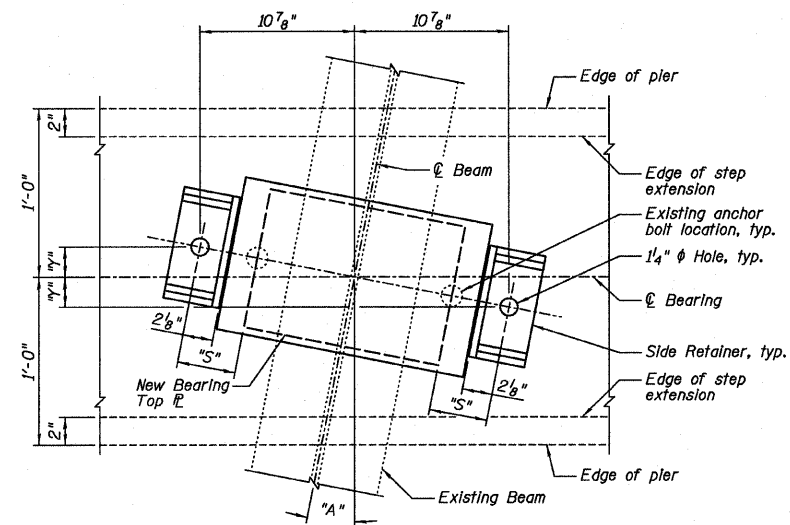


TOP VIEW



ELEVATION
(Looking East)



BEARING PLAN AT PIER

Beam No.	Angle	Dimension		
		"A"	"S"	"Y"
H	11°02'00"	4 1/8"	2 1/2"	
9-20	11°02'00"	4 1/8"	2 1/2"	
I-M	11°02'00"	4 1/8"	2 1/2"	
N	11°02'00"	2 1/4"	2 1/2"	
O	11°56'22"	2 1/4"	2 1/4"	
P	12°50'23"	2 1/4"	2 1/2"	

Farnsworth
GROUP, INC.
2709 McGraw Drive
Bloomington, Illinois 61704
309/663-8435, 309/663-1571 fax

DESIGNED - JCZ
CHECKED - JML
DRAWN - DJM/JWK
DATE - 12/05/11

REVISÉ
REVISÉ
REVISÉ
REVISÉ

STATE OF ILLINOIS
DEPARTMENT OF TRANSPORTATION

PIER NO. 2, EASTBOUND ROADWAY
STRUCTURE NO. 082-0169 (E.B.)
STRUCTURE NO. 082-0170 (W.B.)

F.A.I. RTE.	SECTION	COUNTY	TOTAL SHEETS	SHEET NO.
64	B2-(3,4)RS	ST. CLAIR	167	152
				CONTRACT NO. 76415

SHEET NO. B31 OF 34 SHEETS

ILLINOIS FED. AID PROJECT