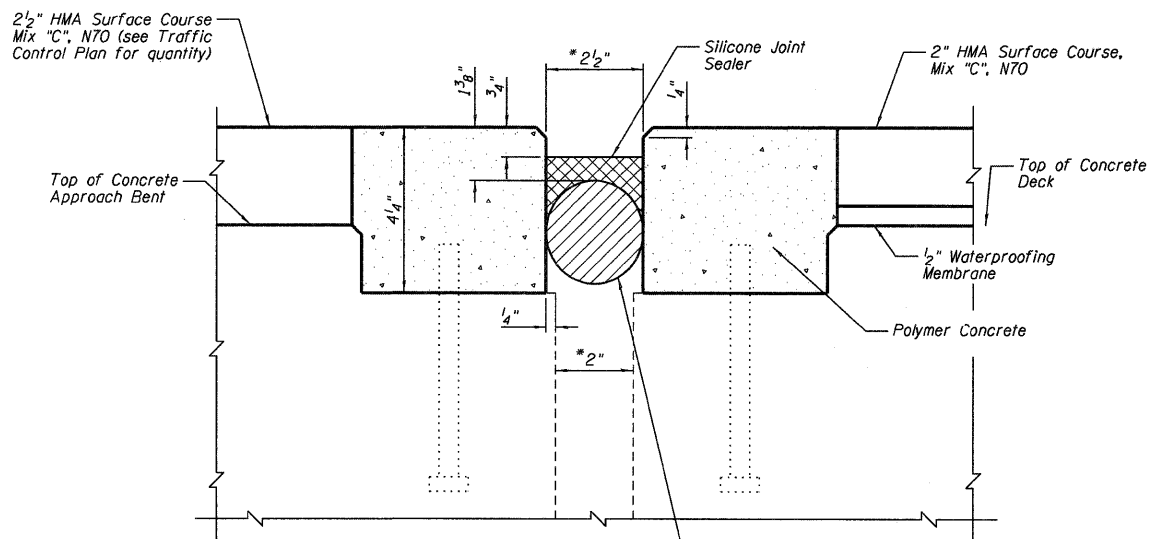
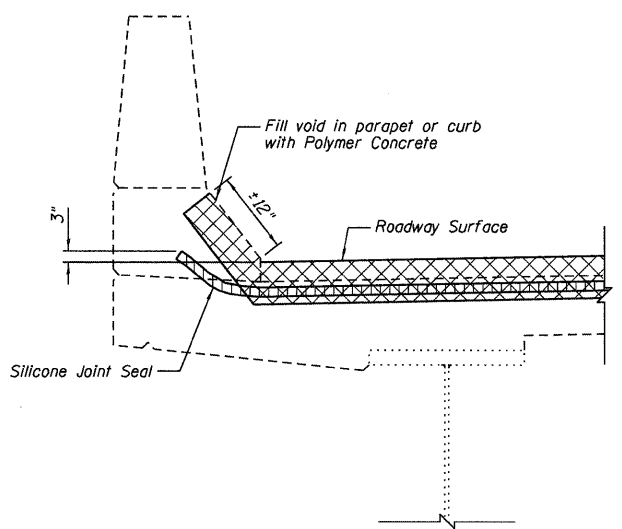


EXISTING CROSS SECTION
 (Horizontal Dimensions @ Rt. L's)
 *At 50°F



PROPOSED CROSS SECTION
 (Horizontal Dimensions @ Rt. L's)
 *At 50°F

Backer Rod having a diameter 25% greater than joint opening at time of installation. Cost is included with Silicone Joint Sealer, 2".



TYPICAL END TREATMENTS

BILL OF MATERIAL

| ITEM | UNIT | TOTAL |
|---------------------------|---------|-------|
| Silicone Joint Sealer, 2" | Foot | 84 |
| Polymer Concrete | Cu. Ft. | 25 |

Farnsworth
 GROUP, INC.
 2709 McGraw Drive
 Bloomington, Illinois 61704
 309/883-8435, 309/883-1571 fax

| | |
|-----------------|---------|
| DESIGNED - JCZ | REVISED |
| CHECKED - JML | REVISED |
| DRAWN - DJM/JWK | REVISED |
| CHECKED - MSW | REVISED |
| DATE - 11/17/11 | |

STATE OF ILLINOIS
DEPARTMENT OF TRANSPORTATION

EXPANSION JOINT REPAIR
STRUCTURE NO. 082-0261

SHEET NO. C6 OF 10 SHEETS

| F.A.I. RTE. | SECTION | COUNTY | TOTAL SHEETS | SHEET NO. |
|---------------------------|-----------|-----------|--------------|-----------|
| 64 | 82-13,4RS | ST. CLAIR | 167 | 161 |
| CONTRACT NO. 76415 | | | | |
| ILLINOIS FED. AID PROJECT | | | | |