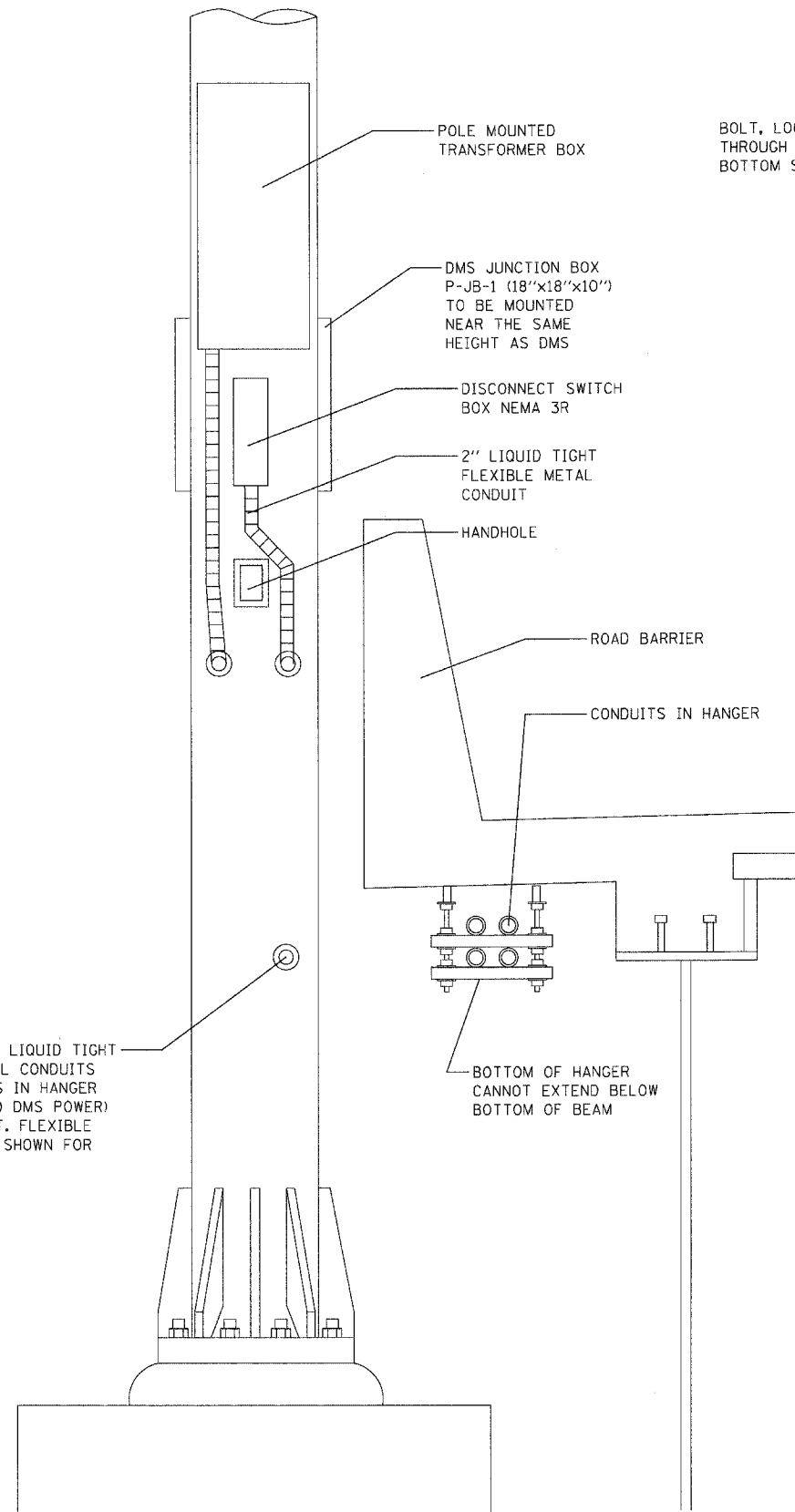
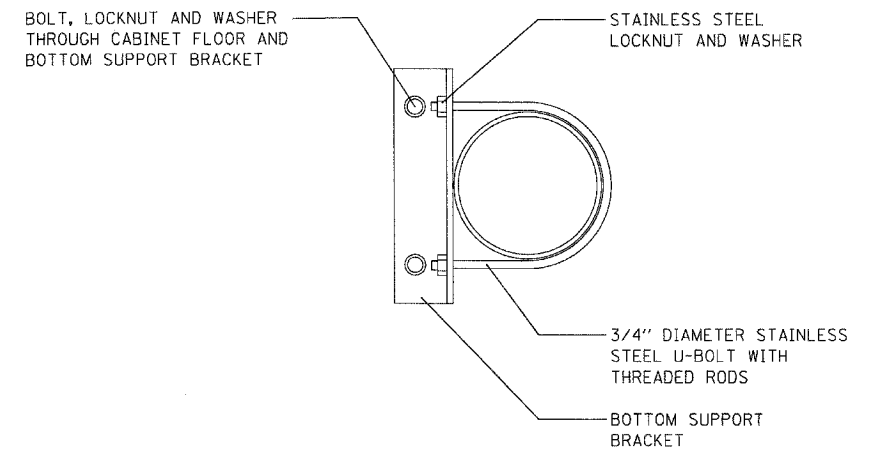


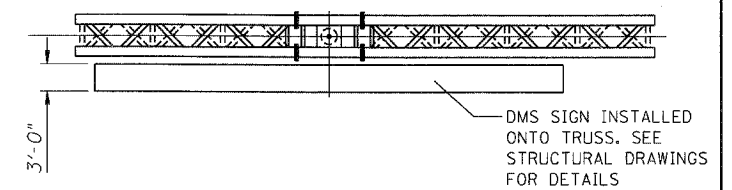
CABINET DETAIL ON DMS STRUCTURE
FRONT VIEW



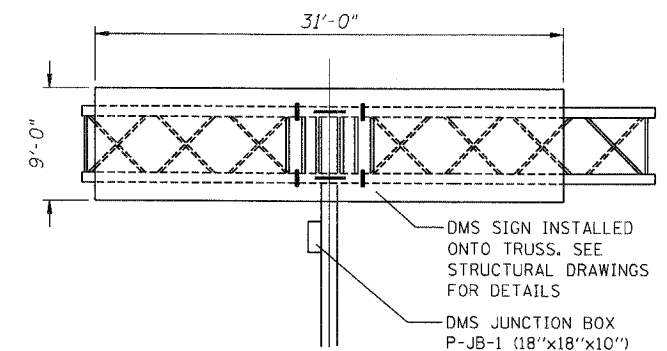
CABINET DETAIL ON DMS STRUCTURE
SIDE VIEW



TYPICAL BOTTOM SUPPORT
BRACKET DETAIL



DMS SIGN PLAN



DMS SIGN ELEVATION

\\FS-0844\VA\VALU\ID-TRANS. 07\2282\22866-081\ARCH\CAD\UTS TECH SYSTEMS\SHEETS CONTRACT 11\0800\11-SHT-15\PLANS-A.DGN
 BONDPLUD
 10/19/2011 15:32:25

FILE NAME =
 #FILEL#
TENG TENG & ASSOCIATES, INC.
 ENGINEERS, ARCHITECTS & PLANNERS
 CHICAGO, ILLINOIS

USER NAME = #USER#	DESIGNED - KRR	REVISED -
PLOT SCALE = #SCALE#	DRAWN - ARM	REVISED -
PLOT DATE = #DATE#	CHECKED - KRR	REVISED -
	DATE - 10/21/11	REVISED -

DESIGNED - KRR	REVISED -
DRAWN - ARM	REVISED -
CHECKED - KRR	REVISED -
DATE - 10/21/11	REVISED -

STATE OF ILLINOIS
DEPARTMENT OF TRANSPORTATION
 PROPOSED RELOCATED IL ROUTE 3 INTERCHANGE

DMS SIGN
DETAIL FOR CABINET & POST

SCALE: N.T.S. SHEET NO. OF SHEETS STA. TO STA.

F.A.P. RTE.	SECTION	COUNTY	TOTAL SHEETS	SHEET NO.
998	82-2-1K	ST. CLAIR	353	255
CONTRACT NO. 76E06				
FED. ROAD DIST. NO. ILLINOIS FED. AID PROJECT				