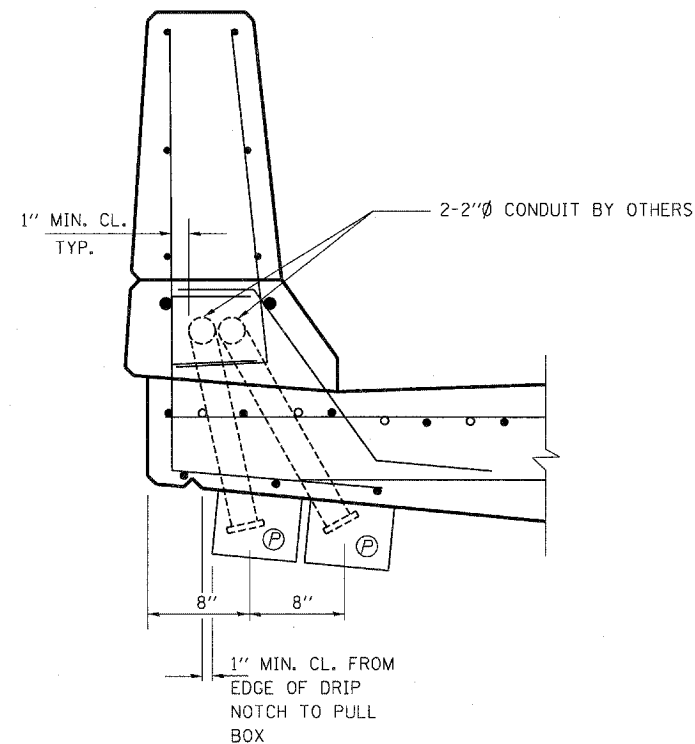
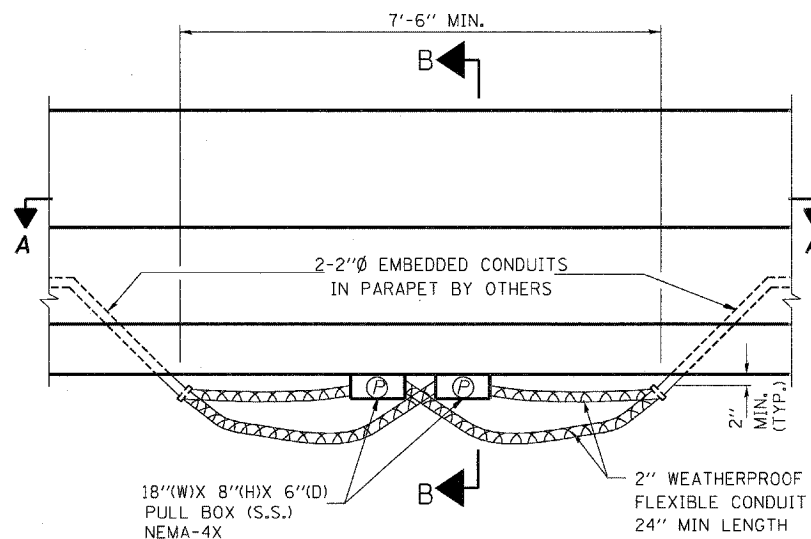


VIEW B-B
(WITH SIDEWALK)

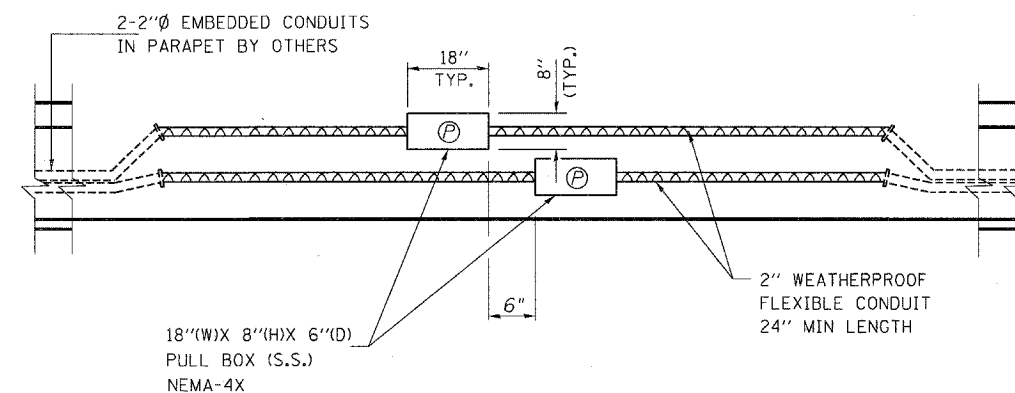


VIEW B-B
(WITHOUT SIDEWALK)



ELEVATION AT PULL BOX
(FOR BRIDGES 310' OR LONGER)

NOTE:
PULL BOX TO BE PAID FOR WITH CORRESPONDING
JUNCTION BOX PAY ITEM (TYP.)



VIEW A-A

NOTE:
PULL BOX TO BE PAID FOR WITH CORRESPONDING
JUNCTION BOX PAY ITEM (TYP.)

(P) = PULL BOX
(J) = JUNCTION BOX

\\BDC001-11-BORDER1.DGN 11-04-2011, 6:56:57 BONDHUJOD \\PVS-0044\AVAVALLT.D-TRANS.07\2202\28868-901\ARCH\ACAD\XITS TECH SYS\CONNSHEETS CONTRACT 11\BDC001-11-SHT-TSPLANS-B00N

FILE NAME =	USER NAME = #USER#	DESIGNED - KRR	REVISED -
#FILEL#		DRAWN - ARM	REVISED -
	PLOT SCALE = #SCALE#	CHECKED - KRR	REVISED -
	PLOT DATE = #DATE#	DATE - 10/21/11	REVISED -

STATE OF ILLINOIS
DEPARTMENT OF TRANSPORTATION
 PROPOSED RELOCATED IL ROUTE 3 INTERCHANGE

CONDUIT DETAILS 3			
SCALE: N.T.S.	SHEET NO.	OF SHEETS	STA. TO STA.

F.A.P. RTE. 998	SECTION 82-2-1K	COUNTY ST. CLAIR	TOTAL SHEETS 353	SHEET NO. 258
FED. ROAD DIST. NO.		ILLINOIS FED. AID PROJECT		



TENG & ASSOCIATES, INC.
 ENGINEERS/ARCHITECTS/PLANNERS
 CHICAGO, ILLINOIS