

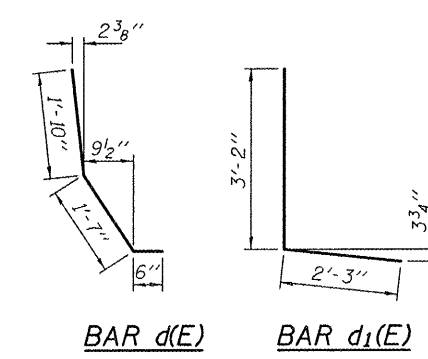
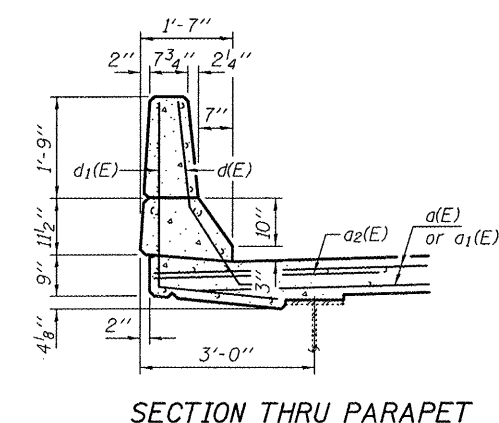
\* Epoxy grout v(E) bars in 9" min. holes according to Article 584 of the Standard Specifications. Cost included in the cost of Reinforcement Bars, Epoxy Coated.

**BILL OF MATERIAL**

Bar	No.	Size	Length	Shape
a(E)	18	#5	14'-3"	—
a1(E)	18	#5	18'-6"	—
a2(E)	10	#6	4'-0"	—
d(E)	10	#5	3'-11"	—
d1(E)	10	#4	5'-5"	—
h4(E)	2	#5	14'-0"	—
h5(E)	2	#5	18'-3"	—
v(E)	28	#5	3'-6"	—
Reinforcement Bars, Epoxy Coated			Pound	920
Concrete Superstructure			Cu. Yds.	10.7
Concrete Removal			Cu. Yds.	4.6

**REMOVAL PLAN**  
Hatched areas indicate removal

**REPLACEMENT PLAN**



**SECTION A-A**  
(Pier 2)

**SECTION B-B**  
(Pier 2)

DESIGNED ATH	EXAMINED	DATE NOVEMBER 23, 2011
CHECKED IJL	PASSED	REVISED
DRAWN baliva	ACTING ENGINEER OF BRIDGES AND STRUCTURES	REVISED
CHECKED ATH IJL		

**STATE OF ILLINOIS**  
**DEPARTMENT OF TRANSPORTATION**

**REPAIR DETAILS AT PIER 2**  
**SN 082-0095**  
SHEET NO. 4 OF 10 SHEETS

F.A. RTE.	SECTION	COUNTY	TOTAL SHEETS	SHEET NO.
805	125BR-2	ST. CLAIR	17	10
CONTRACT NO. 76E99			ILLINOIS FED. AID PROJECT	