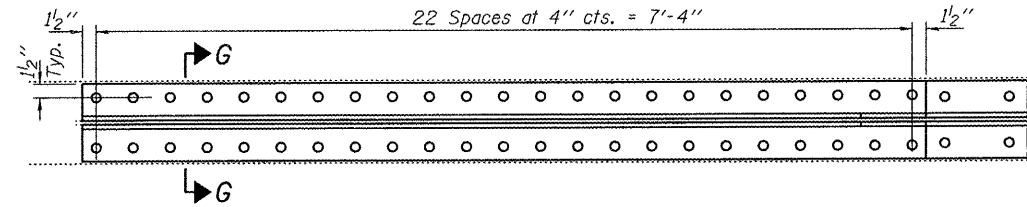
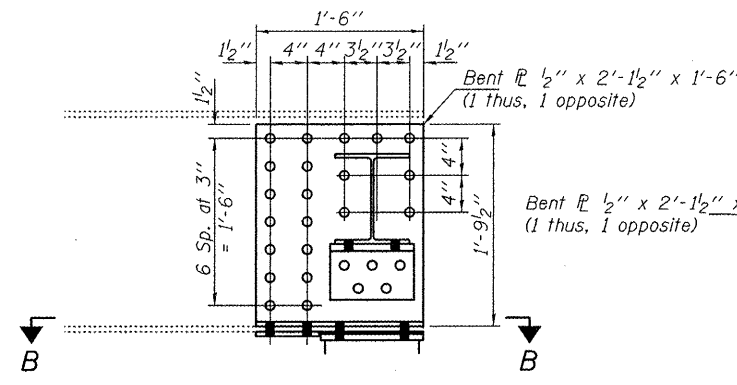


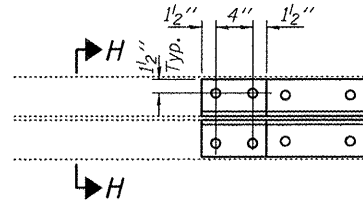
ELEVATION



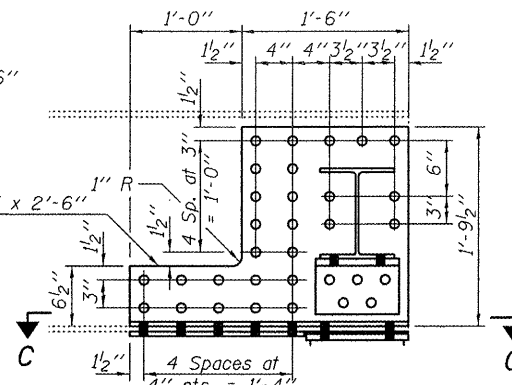
SECTION A-A
REPAIR A



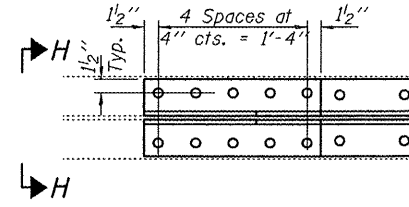
ELEVATION



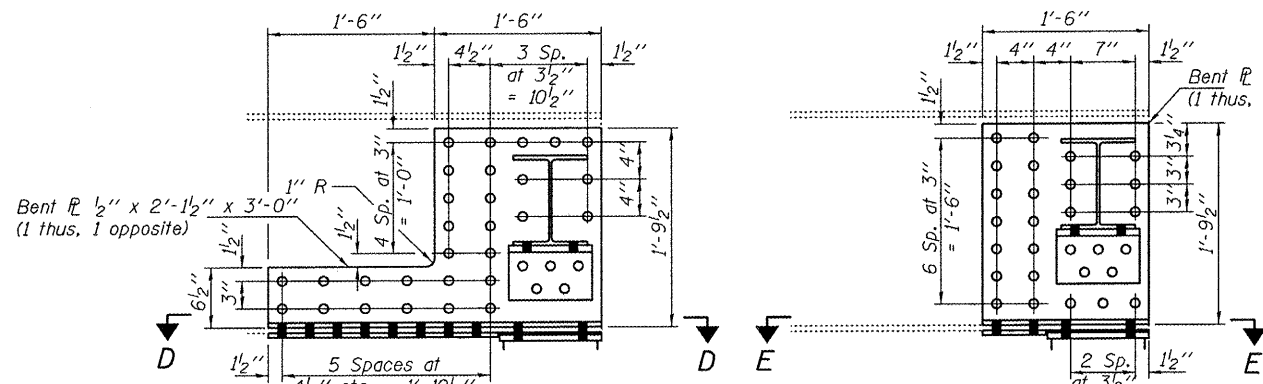
SECTION B-B
REPAIR B



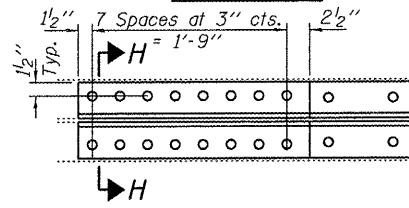
ELEVATION



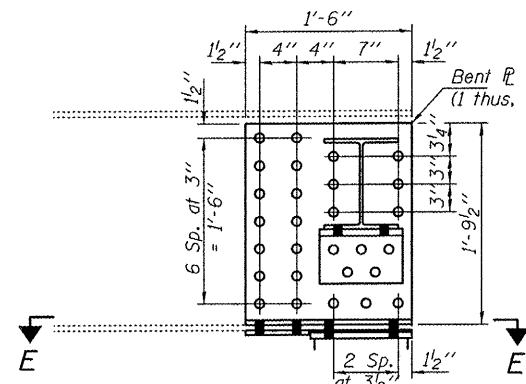
SECTION C-C
REPAIR C



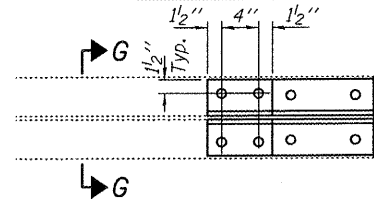
ELEVATION



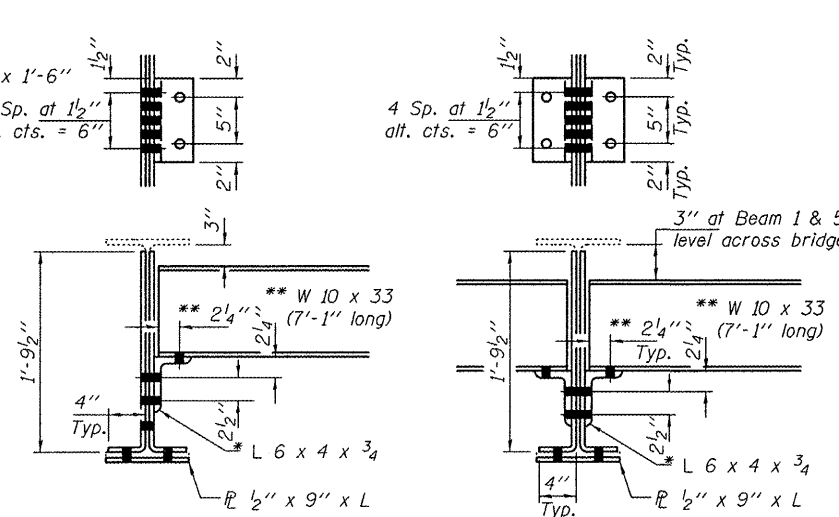
SECTION D-D
REPAIR D



ELEVATION



SECTION E-E
REPAIR E



SECTION G-G

SECTION H-H

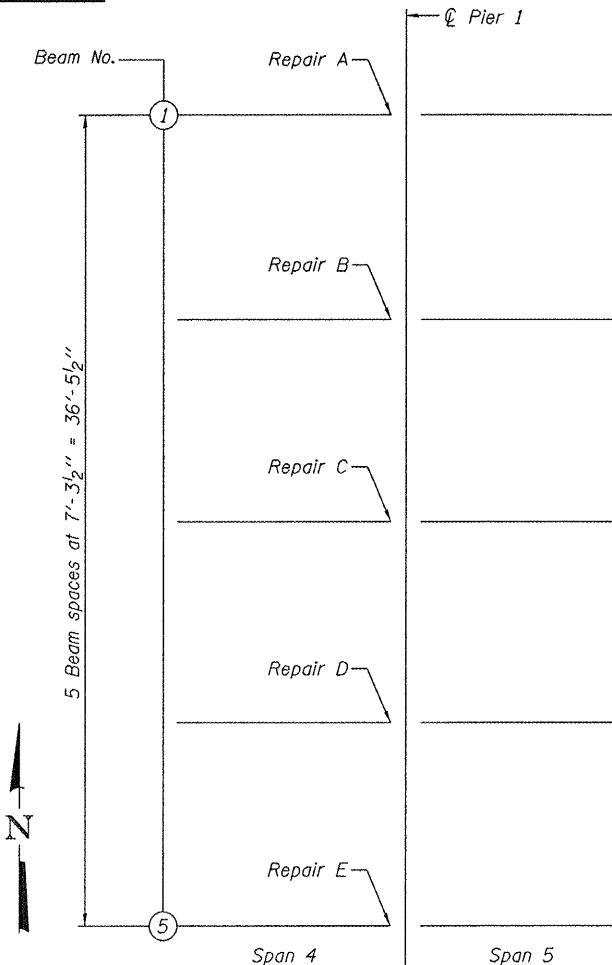
Repair	L
A	7'-7"
B	7"
C	1'-7"
D	2'-1"
E	7"

BILL OF MATERIAL

Item	Unit	Total
Furnishing and Erecting Structural Steel	Pound	1090
Structural Steel Repair	Pound	1910

** Cost is included with Furnishing and Erecting Structural Steel. (All other repair plates and bolts included with Structural Steel Repair, except as noted.)

* Existing diaphragm angles to be removed using the air-arc method and grind smooth all weld material remaining on the bottom flange. Cost of removal & new angles is included with Furnishing and Erecting Structural Steel.



PARTIAL PLAN

DESIGNED ATH
CHECKED I.J.L.
DRAWN ballva
CHECKED ATH I.J.L.

EXAMINED
PASSED
DATE NOVEMBER 23, 2011
ACTING ENGINEER OF STRUCTURAL SERVICES
ACTING ENGINEER OF BRIDGES AND STRUCTURES

STATE OF ILLINOIS
DEPARTMENT OF TRANSPORTATION

REPAIR DETAILS PIER 1
SN 082-0095

SHEET NO. 8 OF 10 SHEETS

F.A. RTE.	SECTION	COUNTY	TOTAL SHEETS	SHEET NO.
805	125BR-2	ST. CLAIR	17	14

CONTRACT NO. 76E99
ILLINOIS FED. AID PROJECT