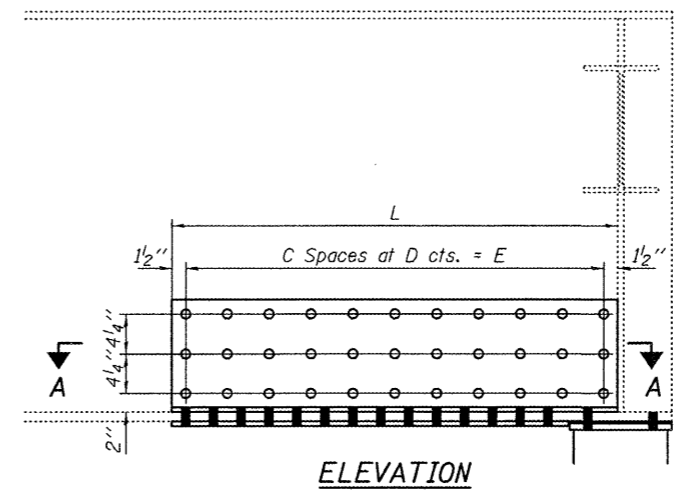
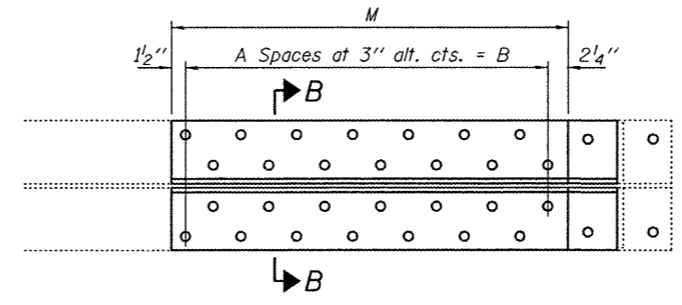


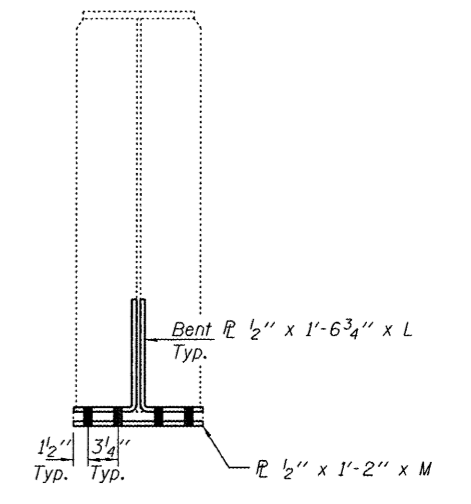
PARTIAL PLAN



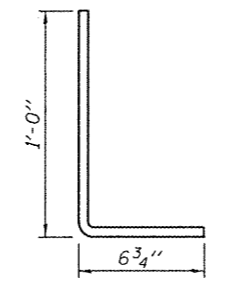
ELEVATION



SECTION A-A



SECTION B-B



BENT PLATE
PL 1/2" x 1'-6 3/4" x L

Repair	M	A	B	L	C	D	E
F	3'-6 3/4"	13	3'-3"	4'-0"	10	4 1/2"	3'-9"
G	1'-6 3/4"	5	1'-3"	2'-0"	6	3 1/2"	1'-9"
H	2'-6 3/4"	9	2'-3"	3'-0"	8	4 1/2"	2'-9"

BILL OF MATERIAL

Item	Unit	Total
Structural Steel Repair	Pound	820

DESIGNED <i>ATH</i>	EXAMINED <i>Joanna F. J...</i>	DATE <u>NOVEMBER 23, 2011</u>	STATE OF ILLINOIS DEPARTMENT OF TRANSPORTATION	REPAIR DETAILS PIER 2 SN 082-0095	F.A. RTE. 805	SECTION 125BR-2	COUNTY ST. CLAIR	TOTAL SHEETS 17	SHEET NO. 15
CHECKED <i>IJL</i>	PASSED <i>Carl...</i>	REVISIONS			SHEET NO. 9 OF 10 SHEETS		CONTRACT NO. 76E99 ILLINOIS FED. AID PROJECT		
DRAWN <i>balva</i>	ACTING ENGINEER OF BRIDGES AND STRUCTURES								
CHECKED <i>ATH IJL</i>									