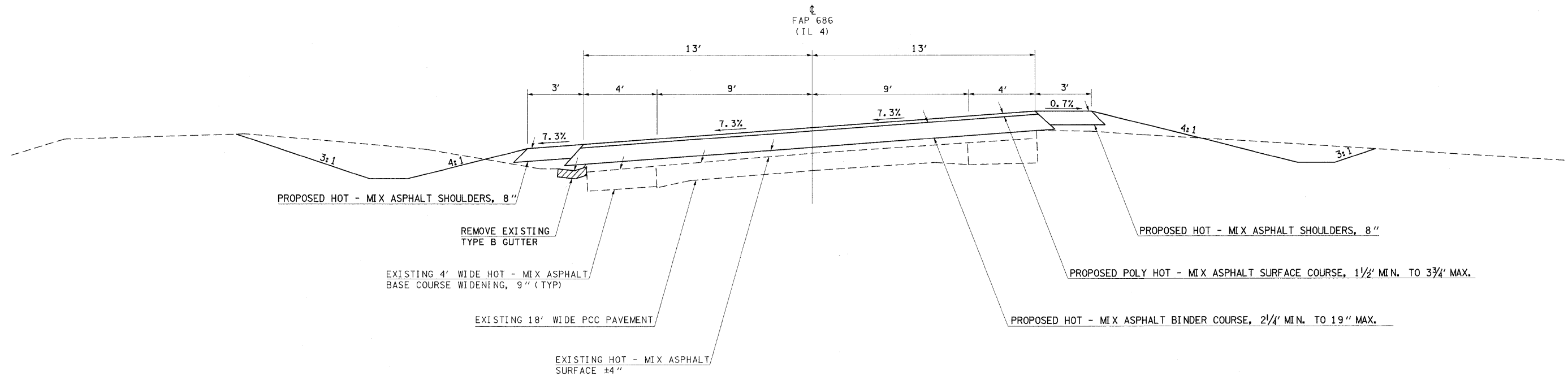


TYPICAL SECTION

TO BE USED:
STA. 1124+38 TO STA. 1125+50



TYPICAL SECTION

TO BE USED:
STA. 1125+50 TO STA. 1127+45

FILE NAME = c:\pwworkspace\pwworkspace\1125+50\1125+50.dwg

USER NAME = halsteadtw	DESIGNED -	REVISED -
PLOT SCALE = 50.0000' / in.	DRAWN -	REVISED -
PLOT DATE = 10/18/2011	CHECKED -	REVISED -
	DATE -	REVISED -

DESIGNED -	REVISED -
DRAWN -	REVISED -
CHECKED -	REVISED -
DATE -	REVISED -

**STATE OF ILLINOIS
DEPARTMENT OF TRANSPORTATION**

TYPICAL SECTIONS IL RTE 4

SCALE: SHEET NO. OF SHEETS STA. TO STA.

F.A.P. RTE. 686	SECTION 114B-1	COUNTY JACKSON	TOTAL SHEETS 114	SHEET NO. 7
CONTRACT NO. 78049				
ILLINOIS FED. AID PROJECT				