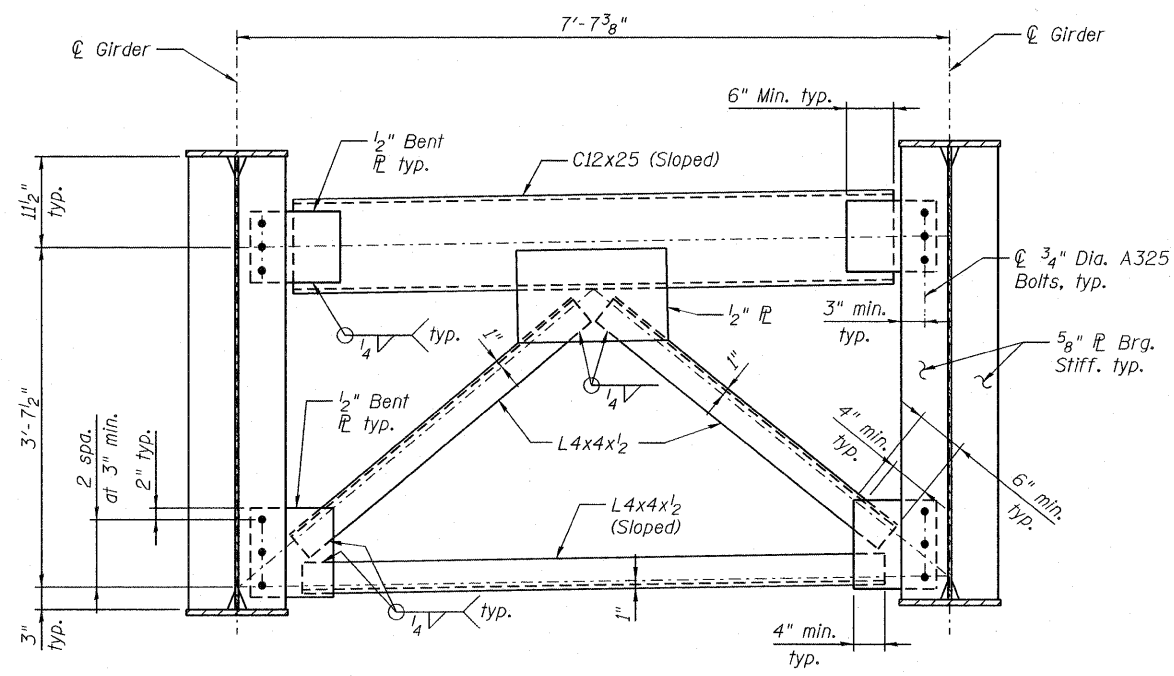
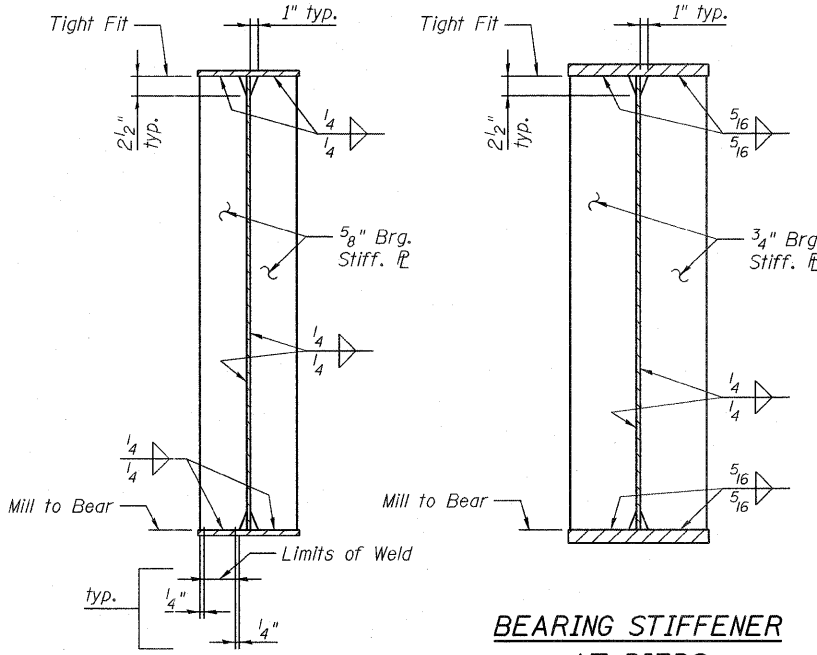


FILE: C:\26703\700cadd\709sfr\039-0074978049-Cross Frame.dgn
 19-OCT-2011
 15:47

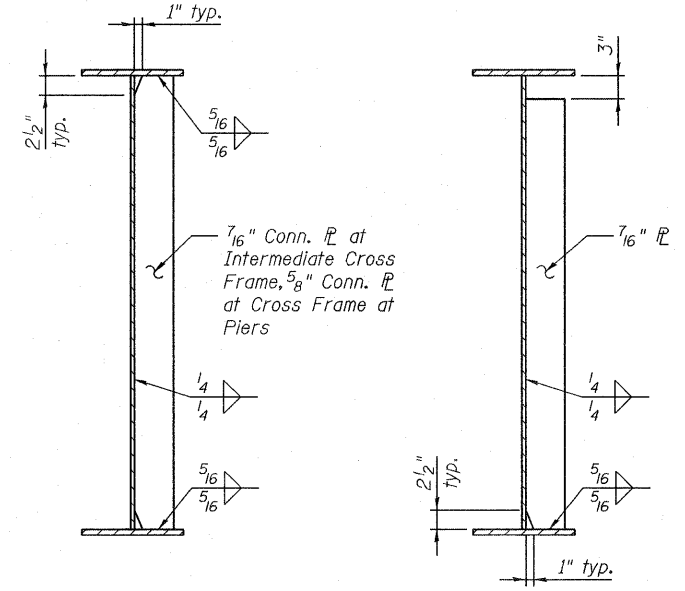


END CROSS FRAME AT ABUTMENTS

Two hardened washers shall be required for all oversized holes.



BEARING STIFFENER AT ABUTMENTS



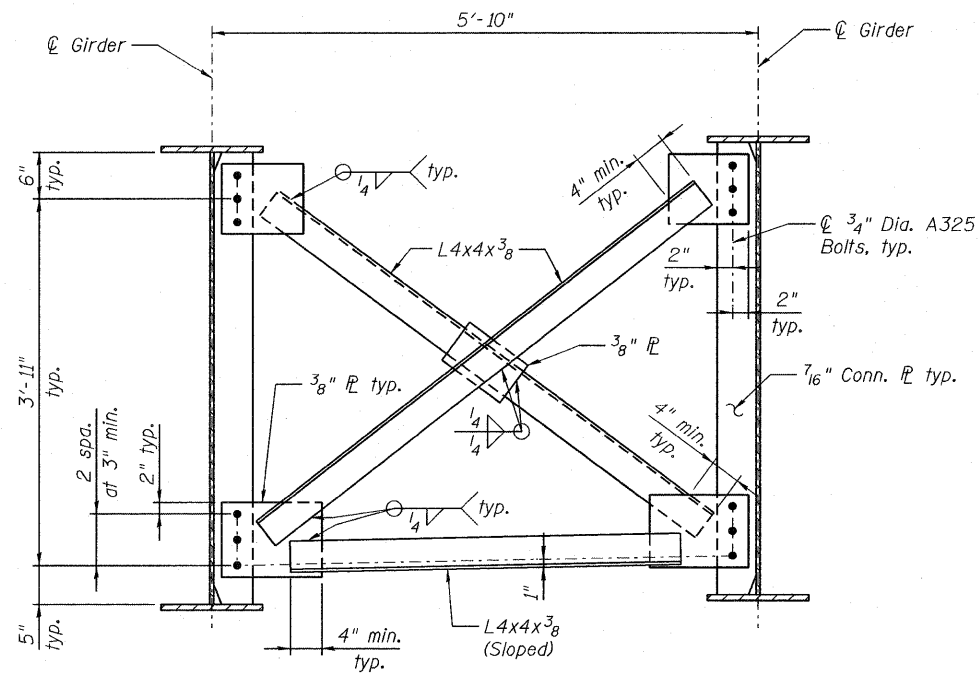
BEARING STIFFENER AT PIERS

AT CROSS FRAMES

INTERMEDIATE STIFFENER

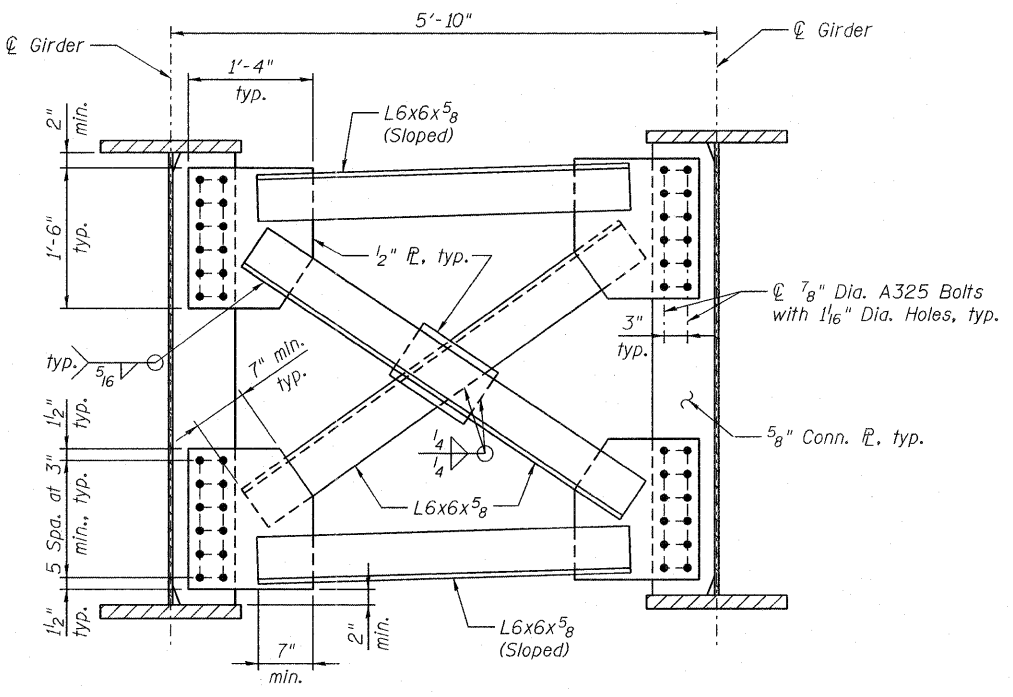
CONNECTION PLATE DETAILS

(Detail of Intermediate stiffener is shown near pier. Intermediate stiffener near abutment shall have a 3" gap at bottom flange)



TYPICAL INTERMEDIATE CROSS FRAME

Two hardened washers shall be required for all oversized holes.



CROSS FRAME AT PIERS

Two hardened washers shall be required for all oversized holes.

STRUCTURAL STEEL NOTES

All structural steel shall be AASHTO M270, Grade 50W unless otherwise noted.
 Fasteners shall be 3/4" diameter high strength bolts with 15/16" diameter open holes unless otherwise noted.
 High strength bolts are designed for a Class A contact surface in a standard hole for a slip-critical connection.
 The contact surface of joints with oversized holes shall be free of paint or lacquer.
 All bearing stiffeners shall be vertical in the completed structure.

NOTE:
 Structural steel was furnished in Contract 78283 and is shown for information only. Erection is included in Contract 78049.

JACOBS	USER NAME =	DESIGNED - B. ERSCHEN	REVISED -	STATE OF ILLINOIS DEPARTMENT OF TRANSPORTATION	CROSS FRAME DETAILS STRUCTURE NO. 039-0074	F.A.P. RTE. 686	SECTION 114B-1	COUNTY JACKSON	TOTAL SHEETS 98	SHEET NO. 114
	PLOT DATE = 19-OCT-2011	CHECKED - M. CRONIN	REVISED -			SHEET NO. 19 OF 35 SHEETS		CONTRACT NO. 78049		[ILLINOIS] FED. AID PROJECT
FILE NAME=039-0074978049-Cross Frame.dgn		DRAWN - E. KRACK	REVISED -							
		CHECKED - J. SMITH	REVISED -							