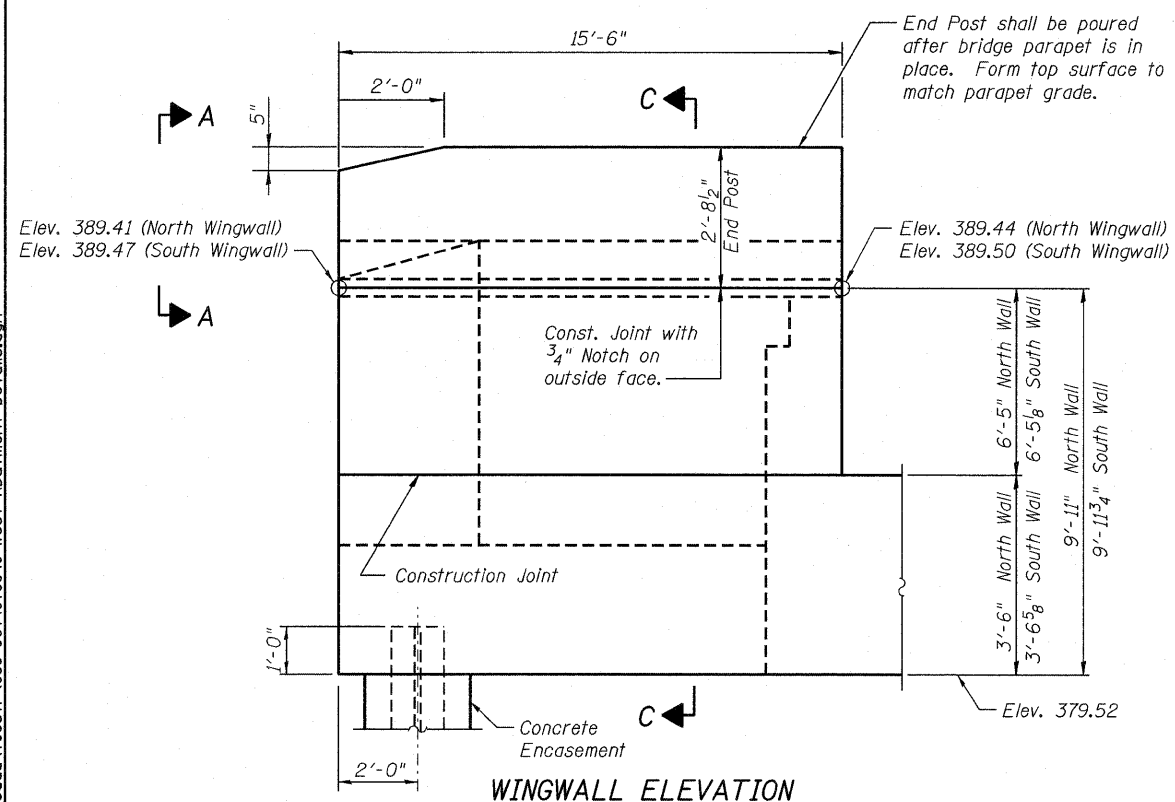
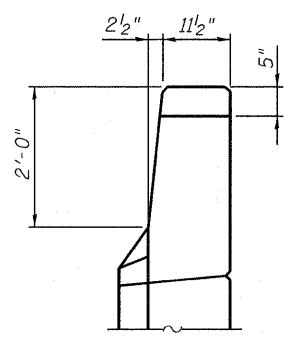


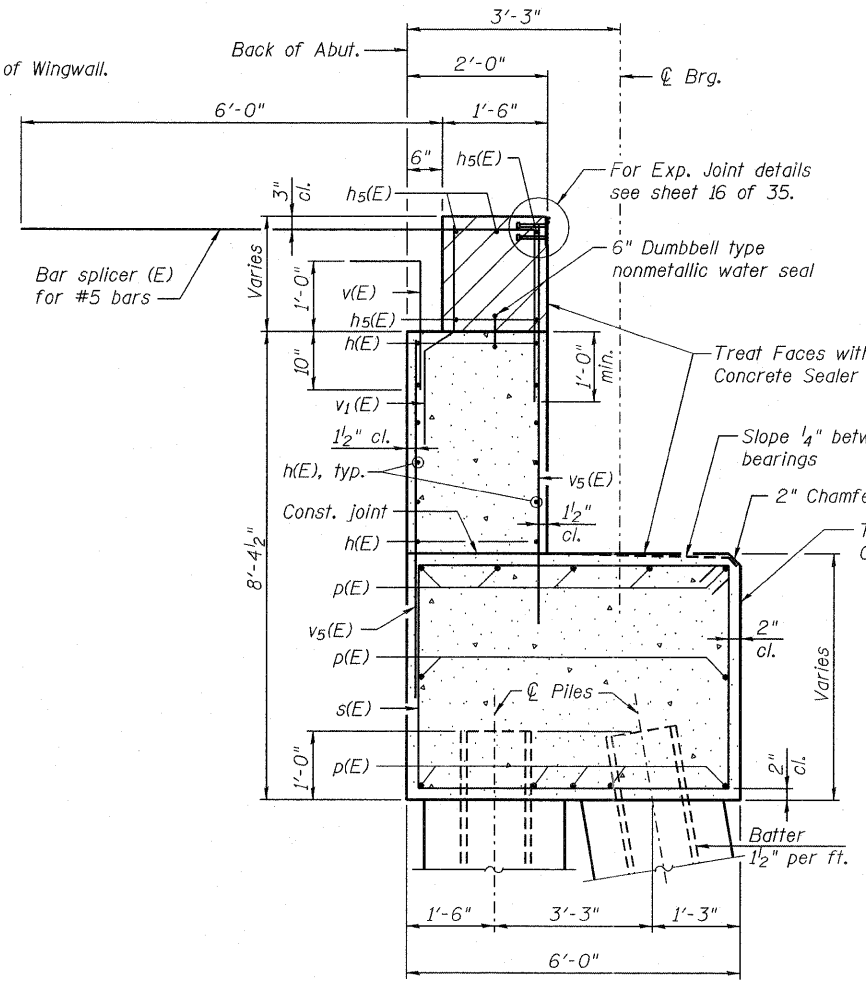
19-OCT-2011 15:47 P:\C\26703\T00cadd\T09str\039-0074978049-West Abutment Details.dgn



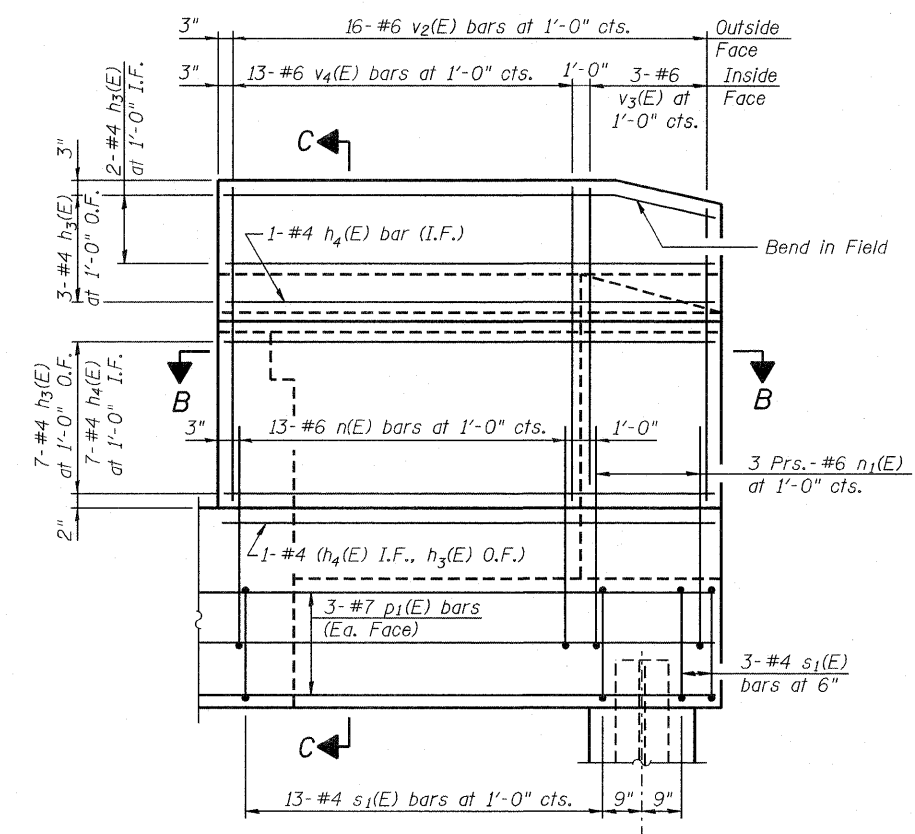
WINGWALL ELEVATION
 Showing Dimensions
 Note: Elevations shown are at outside face of Wingwall.



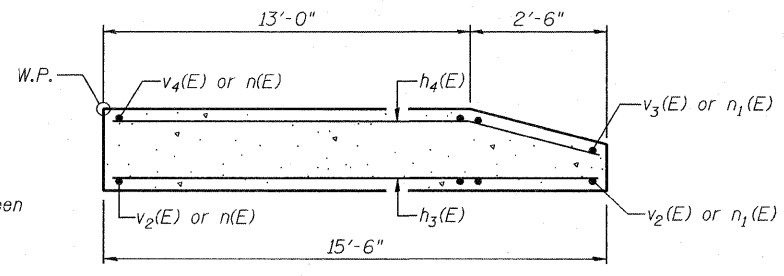
VIEW A-A



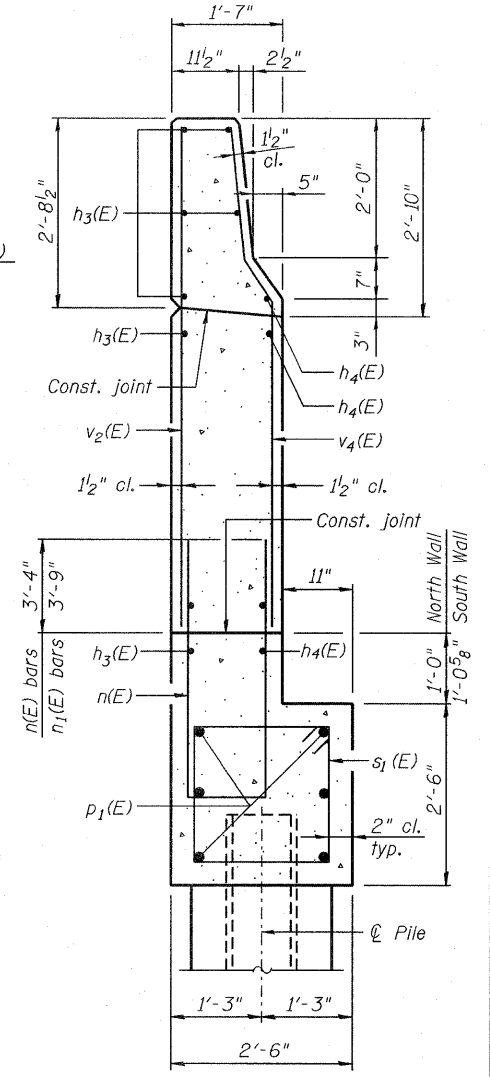
SECTION THRU ABUTMENT



WINGWALL ELEVATION
 Showing Reinforcement



SECTION B-B



SECTION C-C

NOTES

Hatched area to be poured after superstructure false work has been removed. Quantity of concrete included with Concrete Superstructure. Pour steps monolithically with cap. Quantity of concrete in end post included with Concrete Superstructure on sheet 11 of 35. For Concrete Encasement details, see sheet 30 of 35.

JACOBS	USER NAME =	DESIGNED - B. ERSCHEN	REVISED -	STATE OF ILLINOIS DEPARTMENT OF TRANSPORTATION	WEST ABUTMENT DETAILS STRUCTURE NO. 039-0074	F.A.P. RTE. 686	SECTION 114B-1	COUNTY JACKSON	TOTAL SHEETS 102	SHEET NO. 114
	PLOT DATE = 19-OCT-2011	CHECKED - N. KHATRI	REVISED -			CONTRACT NO. 78049				
FILE NAME=039-0074978049-West Abutment Details.dgn		DRAWN - C. SALLADE	REVISED -		SHEET NO. 23 OF 35 SHEETS	ILLINOIS FED. AID PROJECT				