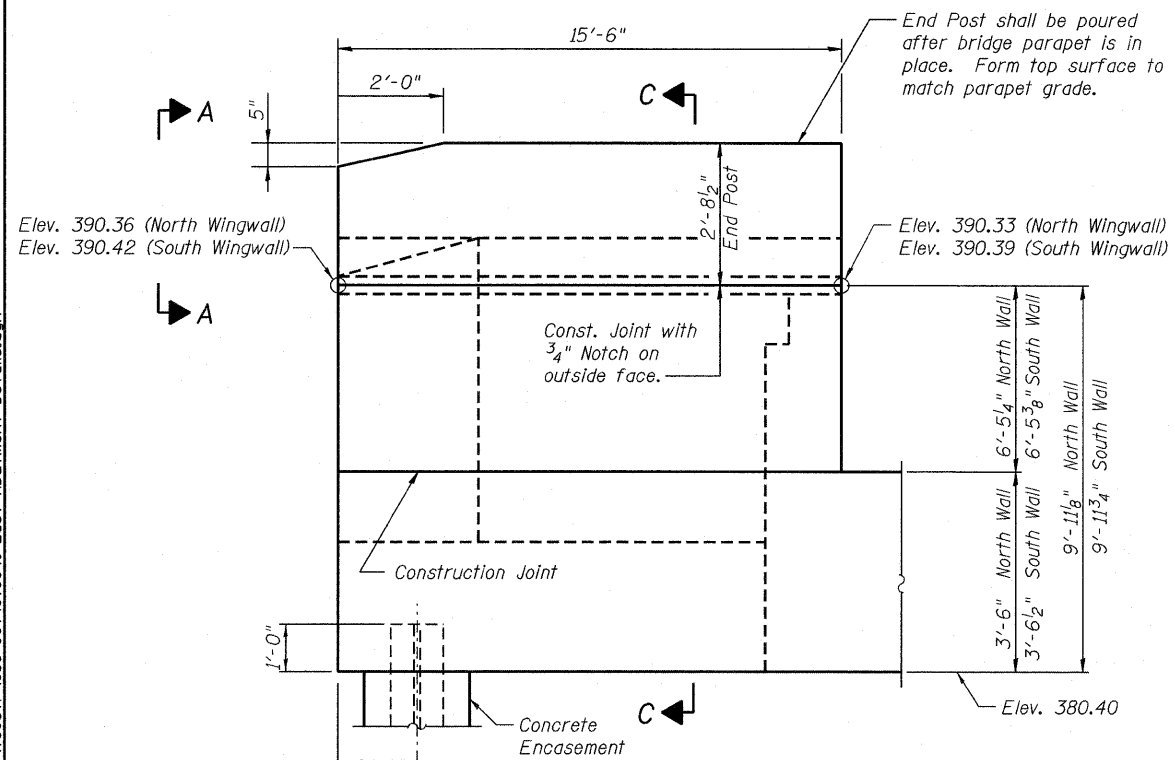
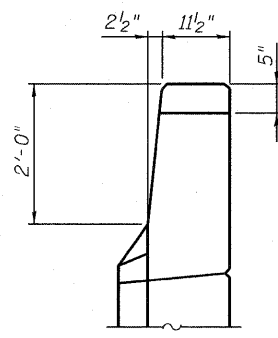


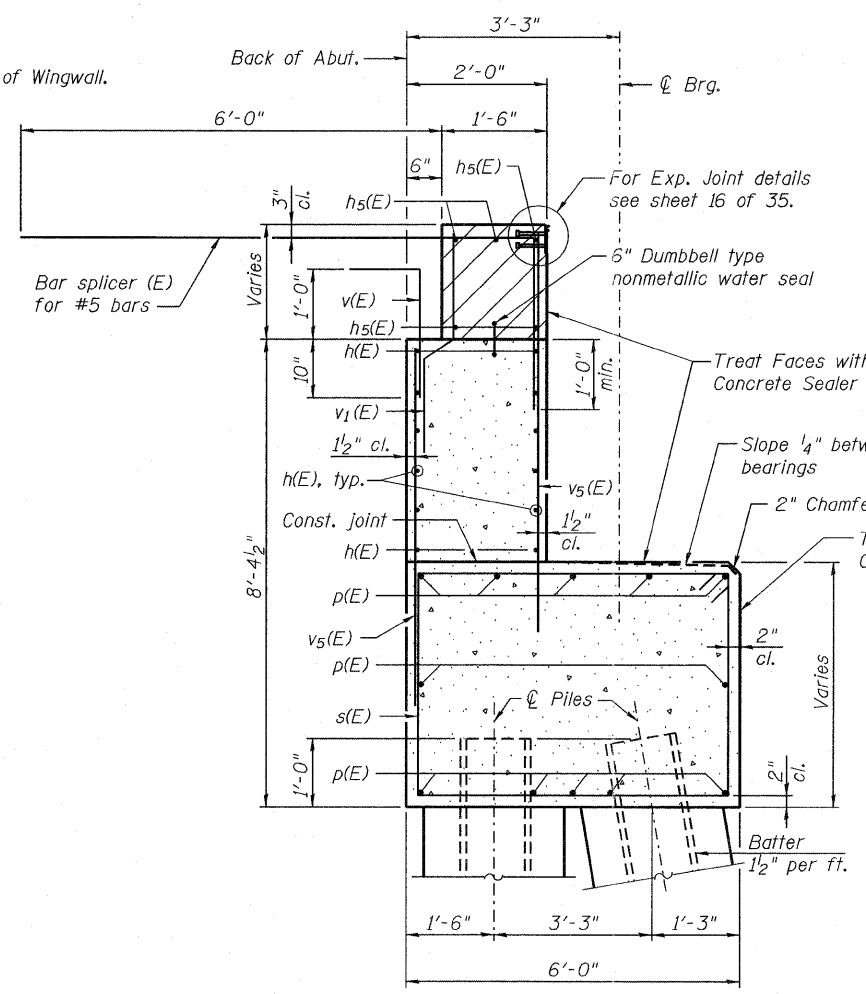
P:\C\26703\700cadd\709str\039-0074978049-East Abutment Details.dgn
19-OCT-2011 15:47



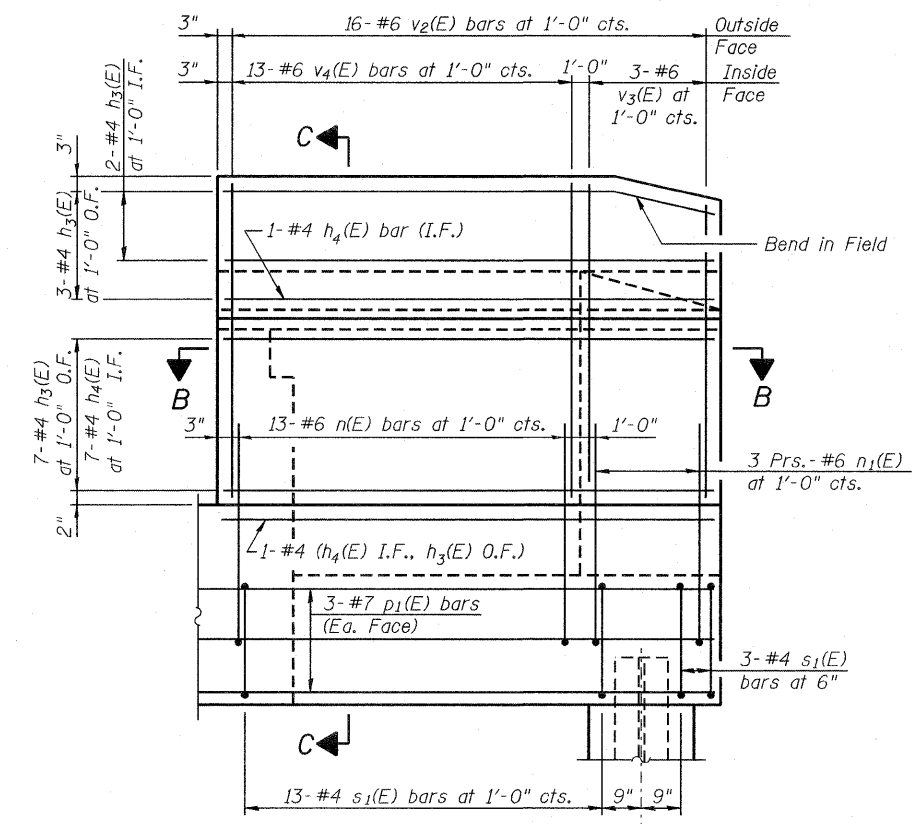
WINGWALL ELEVATION
Showing Dimensions
Note: Elevations shown are at outside face of Wingwall.



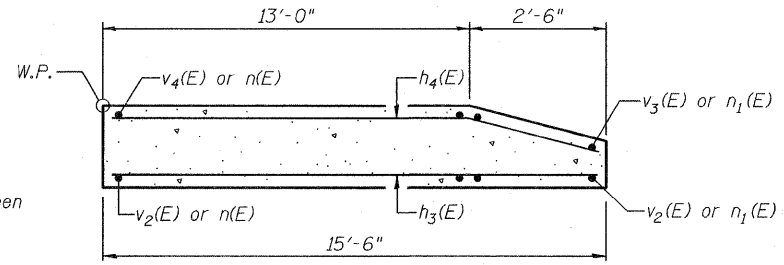
VIEW A-A



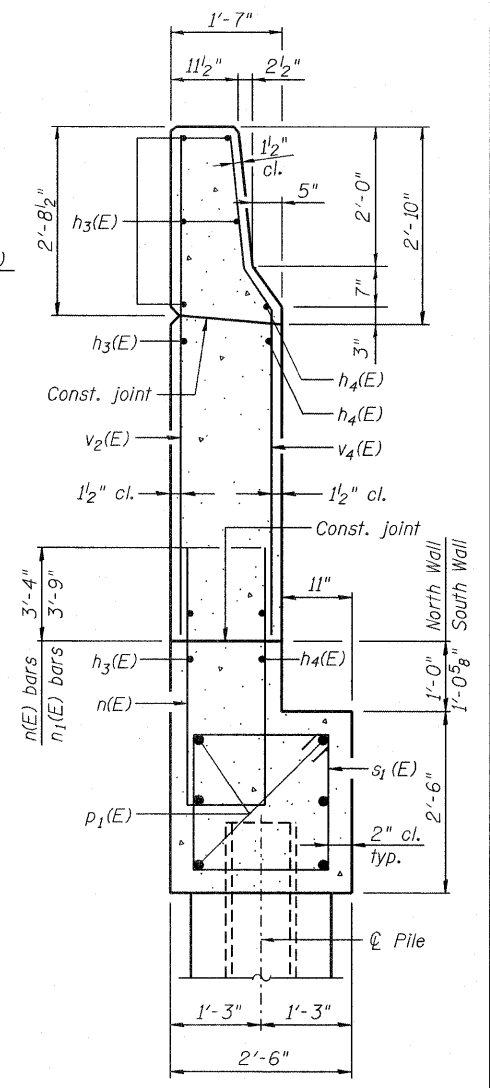
SECTION THRU ABUTMENT



WINGWALL ELEVATION
Showing Reinforcement



SECTION B-B



SECTION C-C

NOTES

Hatched area to be poured after superstructure false work has been removed. Quantity of concrete included with Concrete Superstructure. Pour steps monolithically with cap. Quantity of concrete in end post included with Concrete Superstructure on sheet 11 of 35. For Concrete Encasement details, see sheet 30 of 35.



USER NAME =	DESIGNED - B. ERSCHEN	REVISED -
PLOT DATE = 19-OCT-2011	CHECKED - M. CRONIN	REVISED -
	DRAWN - C. SALLADE	REVISED -
	CHECKED - F. CAMBA	REVISED -

STATE OF ILLINOIS
DEPARTMENT OF TRANSPORTATION

EAST ABUTMENT DETAILS
STRUCTURE NO. 039-0074

SHEET NO. 25 OF 35 SHEETS

F.A.P. RTE. 686	SECTION 114B-1	COUNTY JACKSON	TOTAL SHEETS 104	SHEET NO. 114
CONTRACT NO. 78049			ILLINOIS FED. AID PROJECT	