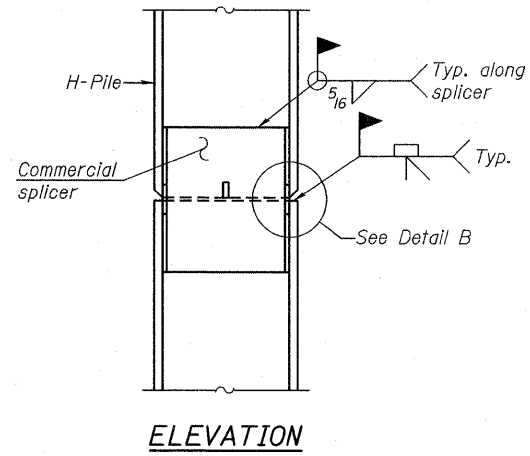
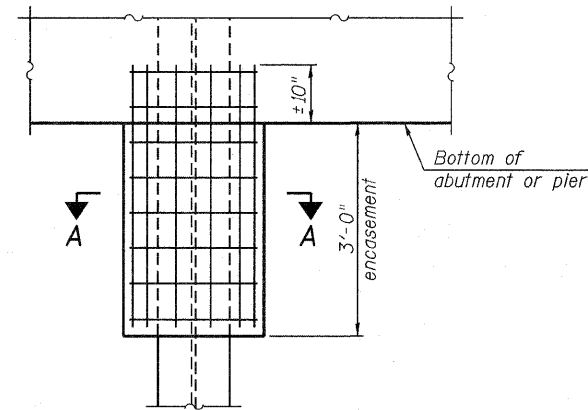


STEEL PILE TABLE

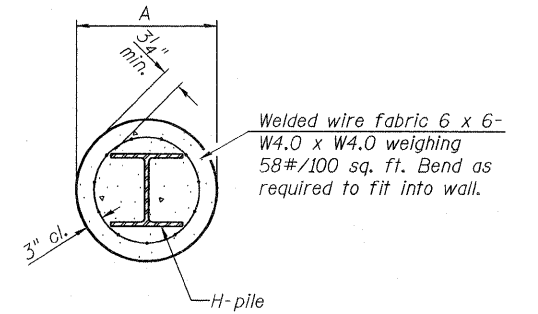
Designation	Depth d	Flange width bf	Web and Flange thickness t	Encasement diameter A
HP 14x117	14 1/4"	14 7/8"	1 3/16"	30"
x102	14"	14 3/4"	1 1/16"	30"
x89	13 7/8"	14 3/4"	5/8"	30"
x73	13 5/8"	14 5/8"	1/2"	30"
HP 12x84	12 1/4"	12 1/4"	1 1/16"	24"
x74	12 1/8"	12 1/4"	5/8"	24"
x63	12"	12 1/8"	1/2"	24"
x53	11 3/4"	12"	7/16"	24"
HP 10x57	10"	10 1/4"	9/16"	24"
x42	9 3/4"	10 1/8"	7/16"	24"
HP 8x36	8"	8 1/8"	7/16"	18"



ELEVATION



ELEVATION

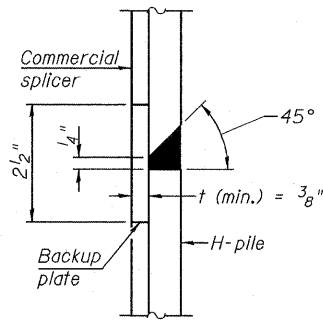


SECTION A-A

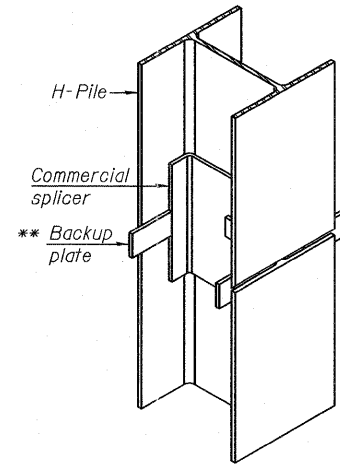
PILE ENCASUREMENT

Pile Encasement required at West and East Abutments (22 Req'd.)

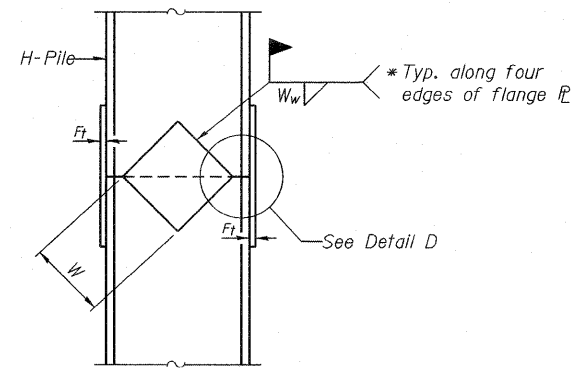
Note:
Forms for encasement may be omitted when soil conditions permit.



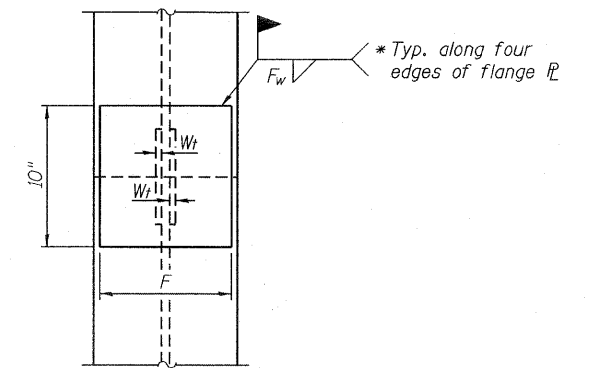
DETAIL "B"



ISOMETRIC VIEW



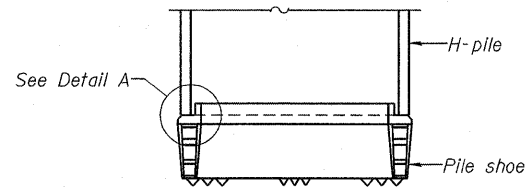
ELEVATION



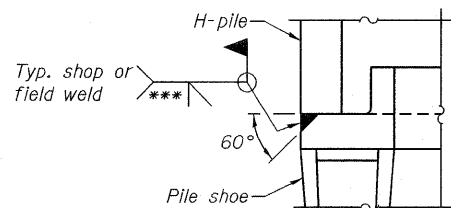
END VIEW

WELDED COMMERCIAL SPLICE

WELDED PLATE FIELD SPLICE



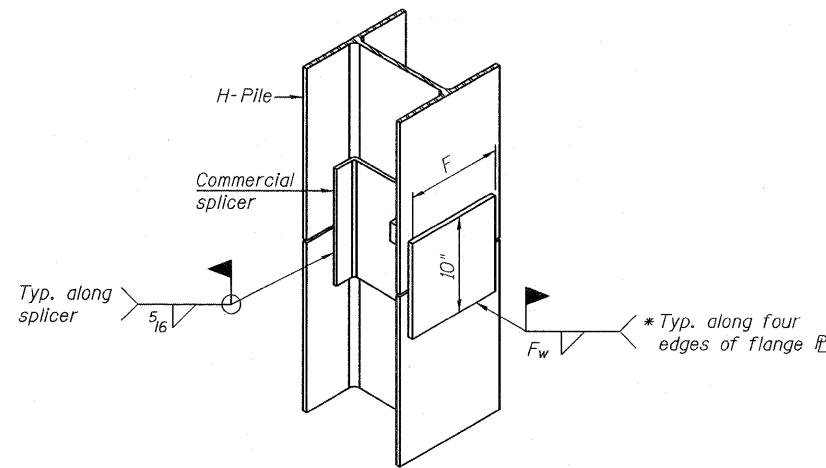
ELEVATION



DETAIL A

H-PILE SHOE ATTACHMENT

H-Pile Shoe Attachment required at Pier 1, Pier 2 and Battered Piles on East Abutment. (46 Req'd.)

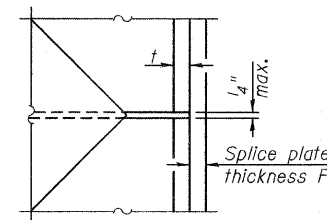


ISOMETRIC VIEW

WELDED COMMERCIAL SPLICE ALTERNATE

- * Interrupt welds 1/4" from end of web and/or each flange.
- ** Remove portions of backup plates that extend outside the flanges.
- *** Weld size per pile shoe manufacturer (5/16" min.).

Note:
The steel H-piles shall be according to AASHTO M270 Grade 50.



DETAIL D

Designation	F	Ft	Fw	W	Wt	Ww
HP 14x117	12 1/2"	1"	7/8"	7 3/4"	5 1/2"	1/2"
x102	12 1/2"	7/8"	3/4"	7 3/4"	5 1/2"	1/2"
x89	12 1/2"	3/4"	1/2"	7 3/4"	5 1/2"	1/2"
x73	12 1/2"	5/8"	9/16"	7 3/4"	5 1/2"	1/2"
HP 12x84	10"	7/8"	1/2"	6 1/2"	5 1/2"	1/2"
x74	10"	7/8"	1/2"	6 1/2"	5 1/2"	1/2"
x63	10"	5/8"	1/2"	6 1/2"	1/2"	3/8"
x53	10"	5/8"	1/2"	6 1/2"	1/2"	3/8"
HP 10x57	8"	3/4"	9/16"	5 1/4"	1/2"	3/8"
x42	8"	5/8"	9/16"	5 1/4"	1/2"	3/8"
HP 8x36	7"	5/8"	7/16"	4 1/4"	1/2"	3/8"

F-HP 7-1-10

JACOBS	USER NAME =	DESIGNED -	REVISIONS -	STATE OF ILLINOIS DEPARTMENT OF TRANSPORTATION	HP PILE DETAILS STRUCTURE NO. 039-0074	F.A.P. RTE. 686	SECTION 114B-1	COUNTY JACKSON	TOTAL SHEETS 109	SHEET NO. 114
	PLOT DATE = 19-OCT-2011	DRAWN - C. SALLADE	REVISIONS -			CONTRACT NO. 78049		ILLINOIS FED. AID PROJECT		
FILE NAME = 039-0074978049-Pile Details.dgn	CHECKED - B. ERSCHEN	REVISIONS -		SHEET NO. 30 OF 35 SHEETS						