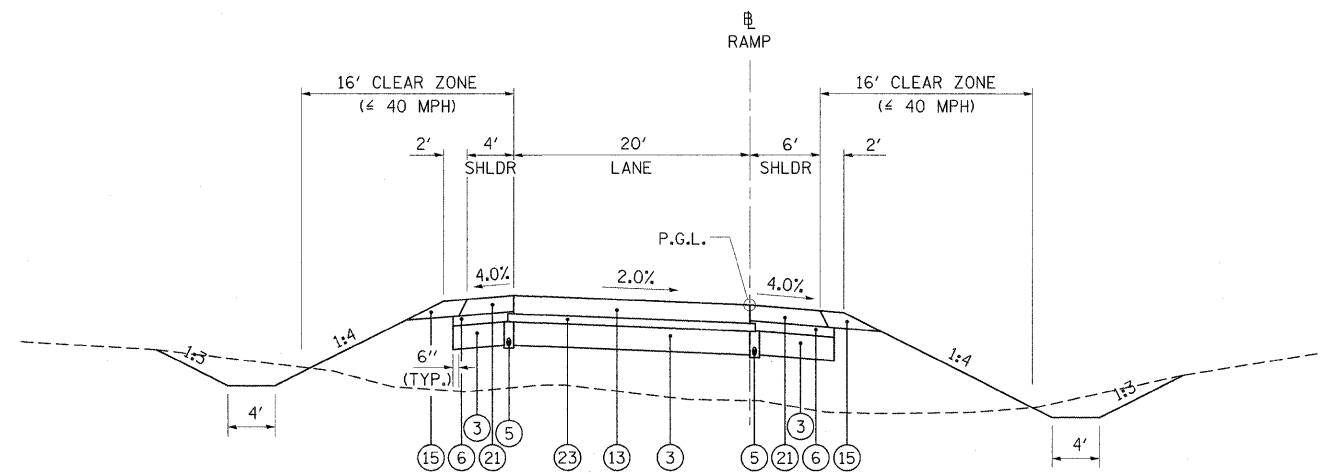
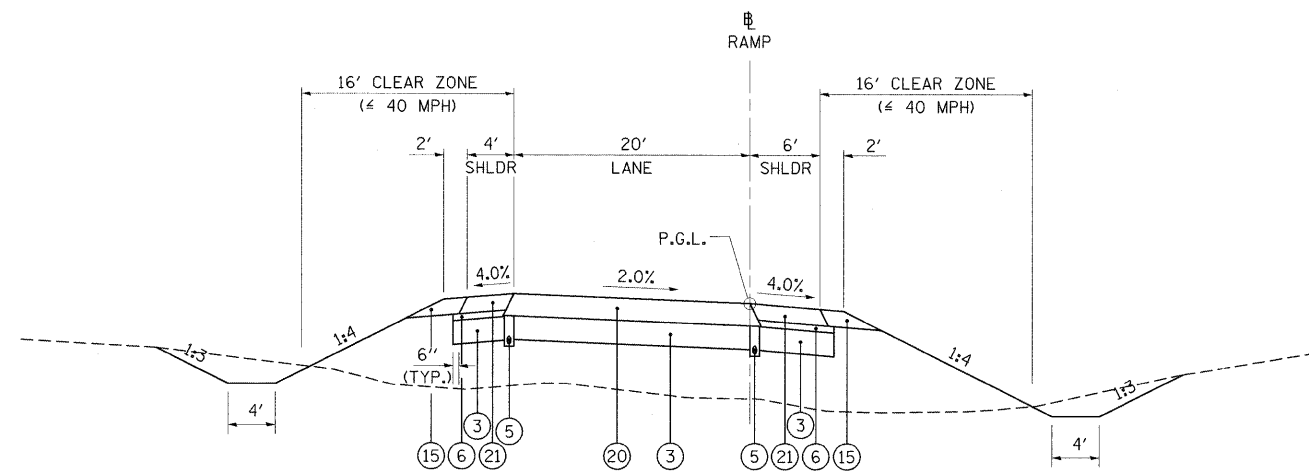


PROPOSED RAMP A
 RAMP A: P.T. STA. 26+32.13 TO STA. 27+50.00



RIGHT TURNING ROADWAYS A, B, C & D

RAMP A-R: STA. 0+93.32 TO STA. 1+93.32
 RAMP B-R: STA. 1+82.24 TO STA. 3+32.24
 RAMP C-R: STA. 0+91.68 TO STA. 1+91.68
 RAMP D-R: STA. 3+77.09 TO STA. 5+27.09

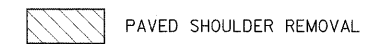


RIGHT TURNING ROADWAYS A, B, C & D

RAMP A-R: STA. 1+93.32 TO STA. 3+56.22
 RAMP B-R: STA. 0+00.00 TO STA. 1+82.24
 RAMP C-R: STA. 1+91.68 TO STA. 3+35.41
 RAMP D-R: STA. 0+00.00 TO STA. 3+77.09

NOTES:

- SEE ROADWAY PLAN AND PROFILE, INTERSECTION DETAILS, AND SUPERELEVATION RATE CHARTS FOR WIDTH AND S.E. TRANSITION DETAILS.
- SEE SHEET 3 FOR MIXTURE REQUIREMENTS.
- EXISTING PIPE UNDERDRAINS, OUTLET PIPES, AND HEADWALLS TO BE REMOVED. COST INCLUDED IN EARTH EXCAVATION.



EXISTING LEGEND

- (2) EXISTING FULL DEPTH HMA PAVEMENT, 1 3/4"
- (7) EXISTING HMA SHOULDER, 8"
- (8) EXISTING AGGREGATE BASE
- (9) EXISTING PIPE UNDERDRAINS, 4"
- (13) EXISTING GUARD RAIL

PROPOSED LEGEND

- (3) SUBBASE GRANULAR MATERIAL, TYPE A, 12"
- (5) PIPE UNDERDRAINS 4"
- (6) SUBBASE GRANULAR MATERIAL, TYPE C
- (7) STEEL PLATE BEAM GUARD RAIL, TYPE A
- (10) HOT-MIX ASPHALT SURFACE REMOVAL, VARIABLE DEPTH
- (11) HOT-MIX ASPHALT STABILIZATION 6" AT STEEL PLATE BEAM GUARD RAIL
- (13) PORTLAND CEMENT CONCRETE PAVEMENT, 9 1/4" (JOINTED)
- (15) AGGREGATE SHOULDER, TYPE A, 8"
- (19) POLYMERIZED LEVELING BINDER (MACHINE METHOD) N105
- (20) HOT-MIX ASPHALT PAVEMENT (FULL DEPTH), 11 1/4"
- (21) HOT-MIX ASPHALT SHOULDERS, 8"
- (23) STABILIZED SUBBASE, 4"
- (32) POLYMERIZED HOT-MIX ASPHALT SURFACE COURSE, MIX "D", N90, 1 1/2"

FILE NAME =	USER NAME = Brad Downen	DESIGNED - MJO	REVISED -
...D978182-shr-typical-Ramps.003.dgn		DRAWN - RJE	REVISED -
	PLOT SCALE = 8,0000' / IN.	CHECKED - BJD	REVISED -
	PLOT DATE = 10/17/2011	DATE - 10/07/11	REVISED -

**STATE OF ILLINOIS
 DEPARTMENT OF TRANSPORTATION**

**TYPICAL SECTION
 RAMPS**

SCALE: SHEET NO. OF SHEETS STA. TO STA.

F.A. RTE.	SECTION	COUNTY	TOTAL SHEETS	SHEET NO.
*	(X1-6-2)HBK-2, HB-1,2; (X-1)R-1	WILLIAMSON	968	43
*	F.A.I. 57 AND F.A.P. 331		CONTRACT NO. 78182	
ILLINOIS FED. AID PROJECT				