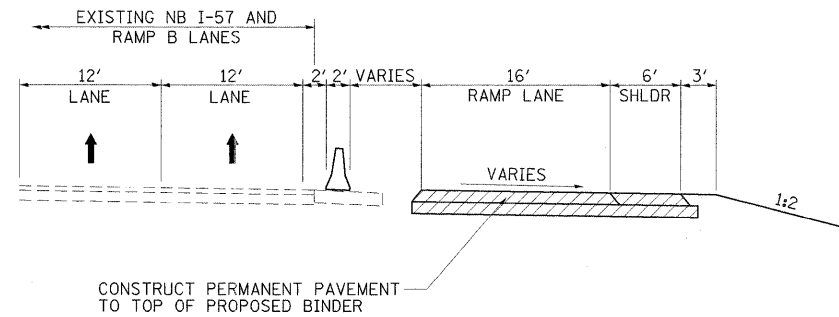
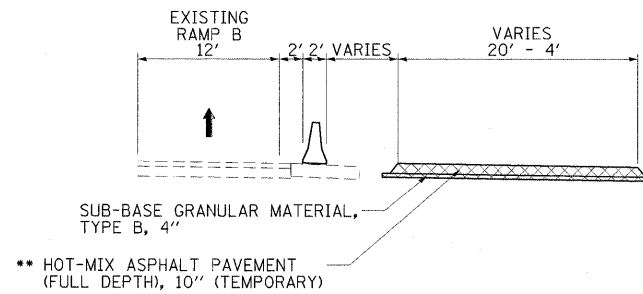


**RAMP B - PRE-STAGE B TYPICAL #1**  
 STA. 1513+00.00 (I-57) TO STA. 3+82.53 (RAMP B)



**RAMP B - PRE-STAGE B TYPICAL #2**  
 STA. 3+82.53 TO STA. 6+53.74



**RAMP B - PRE-STAGE B TYPICAL #3**  
 STA. 6+53.74 TO STA. 11+50.76  
 \*\* SEE SHEET 3 FOR TEMPORARY PAVEMENT HOT-MIXTURE REQUIREMENTS

**LEGEND**

- TEMPORARY BARRIER WALL
- DIRECTION OF TRAFFIC
- WORK ZONE
- TEMPORARY PAVEMENT (CONSTRUCTED IN THIS STAGE)
- DRUM WITH STEADY BURNING LIGHT
- TYPE II BARRICADE WITH STEADY BURNING LIGHT
- VERTICAL PANEL, POST MOUNTED

FILE NAME = ...\\D978182-shit-stagingPreB-I57-ty3.dgn	USER NAME = Bred Downen	DESIGNED - RMM/EMM	REVISED -
		DRAWN - RJE	REVISED -
		CHECKED - BJD	REVISED -
		DATE - 10/07/11	REVISED -

**STATE OF ILLINOIS  
 DEPARTMENT OF TRANSPORTATION**

**MAINTENANCE OF TRAFFIC TYPICAL SECTIONS - F.A.I. 57  
 PRE-STAGE B**

SCALE: NONE SHEET NO. OF SHEETS STA. TO STA.

F.A. RTE.	SECTION	COUNTY	TOTAL SHEETS	SHEET NO.
*	(X1-6-2)HBK-2, HB-1,2; (X-1)R-1	WILLIAMSON	968	162
* F.A.I. 57 AND F.A.P. 331			CONTRACT NO. 78182	
ILLINOIS FED. AID PROJECT				