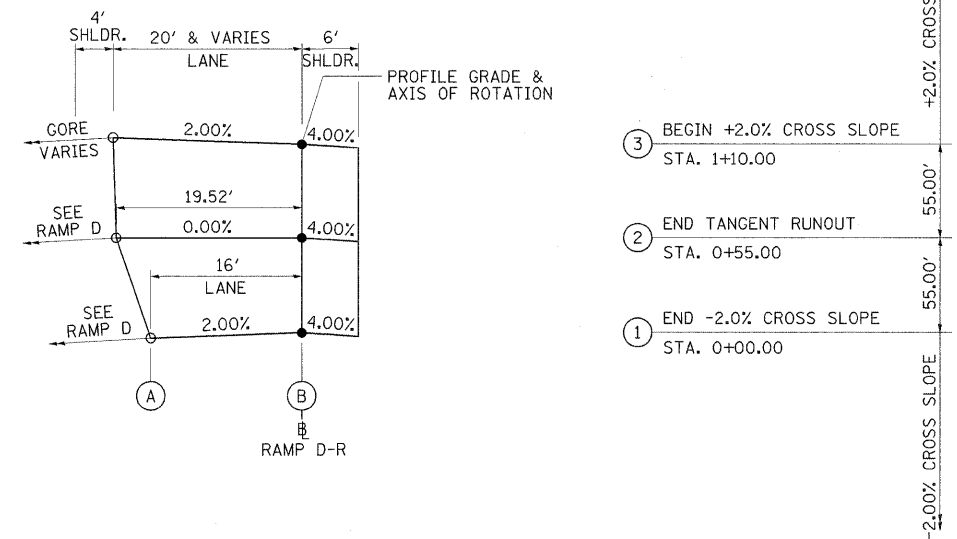


PROP. RAMP D CURVE-2 DATA

PI STA. = 124+84.18
 $\Delta = 104^\circ 34' 31''$ (LT)
 $D = 13^\circ 15' 46''$
 $R = 432.00'$
 $T = 558.69'$
 $L = 788.48'$
 $E = 274.23'$
 $e = 2.0\%$
 $T.R. = 75'$ (2 LANES)
 $S.E. RUN = 75'$ (2 LANES)
 $P.C. STA. = 119+25.49$
 $P.T. STA. = 127+13.97$
 $S.A. = STA. 117+75.49$ TO $STA. 119+25.49$

PROFILE GRADE ELEVATIONS				
SECTION	A	B	C	D
1	464.95	464.78	464.46	464.29
2	464.07	464.07	464.07	464.07
3	463.05	463.37	463.69	464.01

RAMP D CURVE NO. 2
 P.C. STA. 119+25.49 TO P.T. STA. 127+13.97



PROP. RAMP D-R CURVE-1 DATA

PI STA. = 5+08.14
 $\Delta = 92^\circ 01' 10''$ (RT)
 $D = 28^\circ 38' 52''$
 $R = 200.00'$
 $T = 207.18'$
 $L = 321.21'$
 $E = 87.96'$
 $e = 2.0\%$
 $T.R. = 55'$
 $S.E. RUN = 55'$
 $P.C. STA. = 3+00.96$
 $P.T. STA. = 6+22.17$
 $S.A. = STA. 0+00.00$ TO $STA. 1+10.00$

PROFILE GRADE ELEVATIONS		
SECTION	A	B
1	458.62	458.94
2	457.19	457.19
3	456.12	455.72

RAMP D-R CURVE NO. 1
 P.C. STA. 3+00.96 TO P.T. STA. 6+22.17