

\* Center of horizontal to center of splice dimension may vary. Verify before drilling holes in mounting tube.

**PLAN DETAIL "A"**  
 ☐ Span between Panel Points

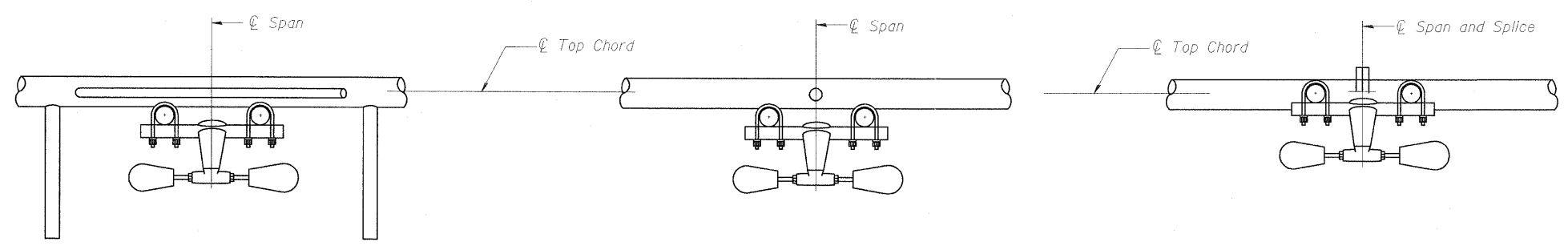
**PLAN DETAIL "B"**  
 ☐ Span at Panel Point

**PLAN DETAIL "C"**  
 ☐ Span at ☐ Chord Splice

**NOTES**

Damper: One damper per truss. (31 lbs. minimum Stockbridge-Type Aluminum - 29" minimum between ends of weights) Cost included in Overhead Sign Structure...

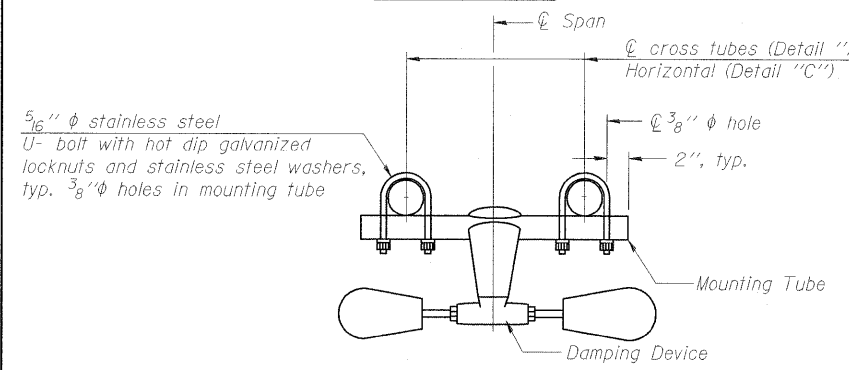
Materials: Materials: Aluminum tubes shall be ASTM B221 alloy 6061 temper T6. Cost included in Overhead Sign Structure...



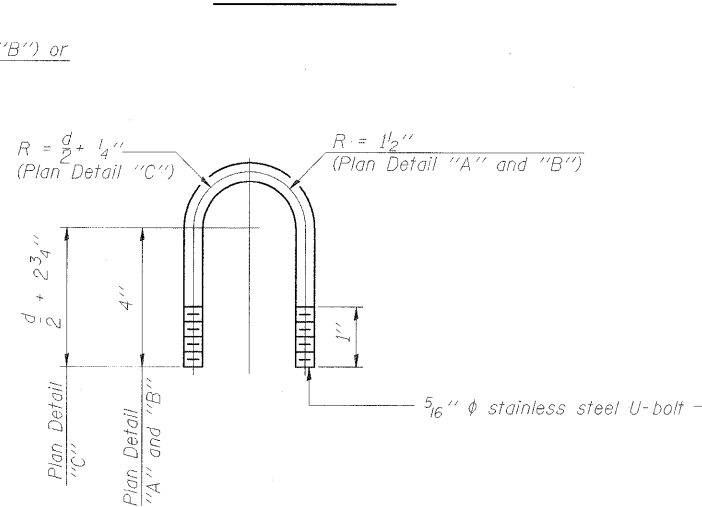
**SECTION A-A**

**SECTION B-B**

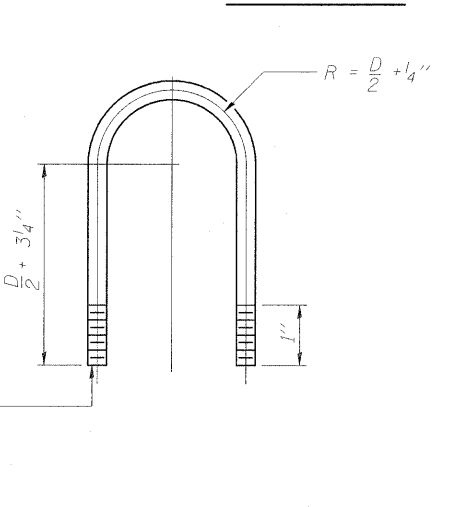
**SECTION C-C**



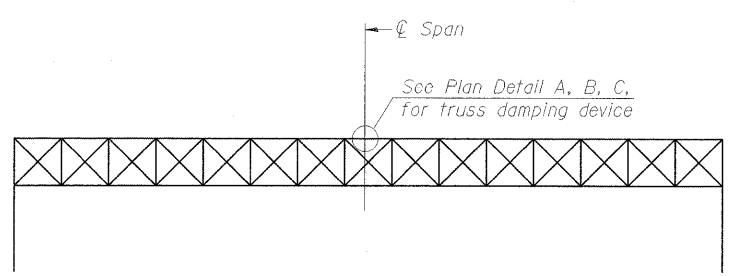
**TRUSS DAMPING DEVICE CONNECTION DETAIL**  
 (Typical)



**DAMPING DEVICE MOUNTING TUBE U-BOLT DETAIL**  
 (Typical)



**TOP CHORD TO CROSS TUBE U-BOLT DETAIL**  
 (Typical - Detail "A" and "B")



**ELEVATION**  
 Aluminum Overhead Sign Truss

OS-A-D

1-20-11

FILE NAME = ...D976182-sht-sign082-Truss-05-A-D.dgn	USER NAME = Rob Heady	DESIGNED - JH	REVISED -	<b>STATE OF ILLINOIS DEPARTMENT OF TRANSPORTATION</b>	<b>OVERHEAD SIGN STRUCTURE DAMPING DEVICE</b>			F.A. RTE.	SECTION	COUNTY	TOTAL SHEETS	SHEET NO.	
		DRAWN - JH	REVISED -		SCALE:	SHEET NO. 4 OF 15 SHEETS	STA.	TO STA.	* IX1-6-2HBK-2, HB-1,2; IX-1R-1	WILLIAMSON	968	495	
		CHECKED - SD	REVISED -						* F.A.I. 57 AND F.A.P. 331				
		DATE - 10/07/11	REVISED -						ILLINOIS FED. AID PROJECT				CONTRACT NO. 78182

**EFK•Moen, LLC**  
 Civil Engineering Design