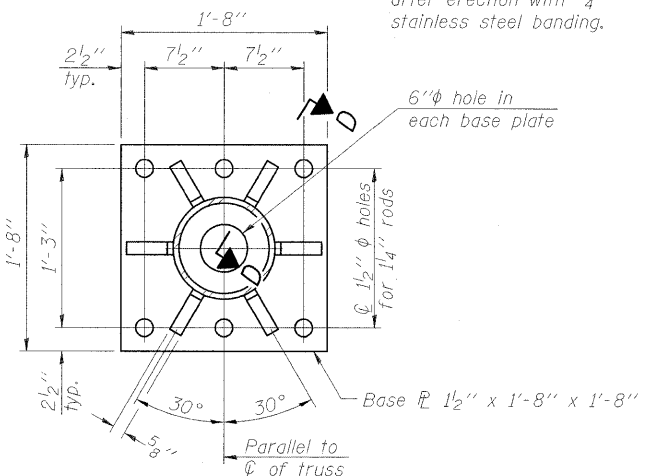
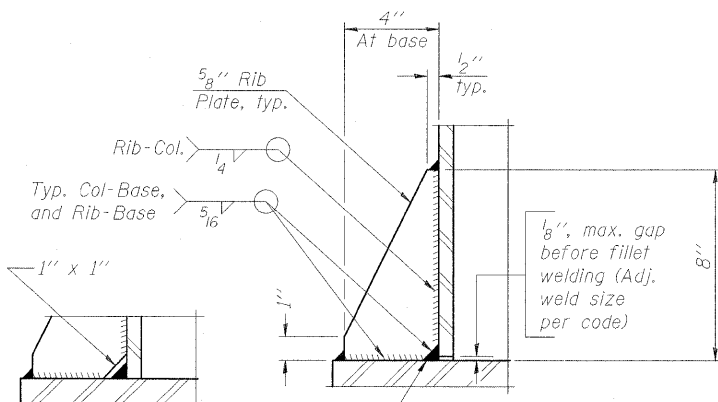


**DETAIL B**

Ribs shall be cut to fit slope of pipe.  
Stainless Steel Standard Grade Wire Cloth, 3" wide, 1/4" maximum opening with a minimum wire diameter of AWG. No. 16 with a minimum 2" lap. Secure to base plate after erection with 3/4" stainless steel banding.

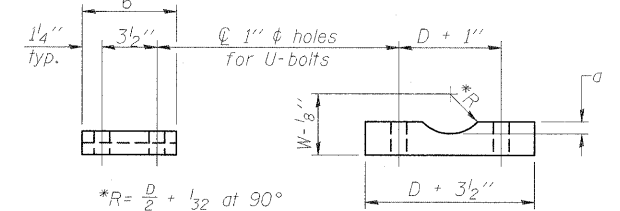


**SECTION B-B**



**SECTION D-D**

\*\* Alternate detail if welding col. to base plate first, then snip inside corner of ribs. Terminate weld on rib 1/4" from snip.  
No snip req'd. at rib inside corner if placed before col. to base plate welding.\*\*

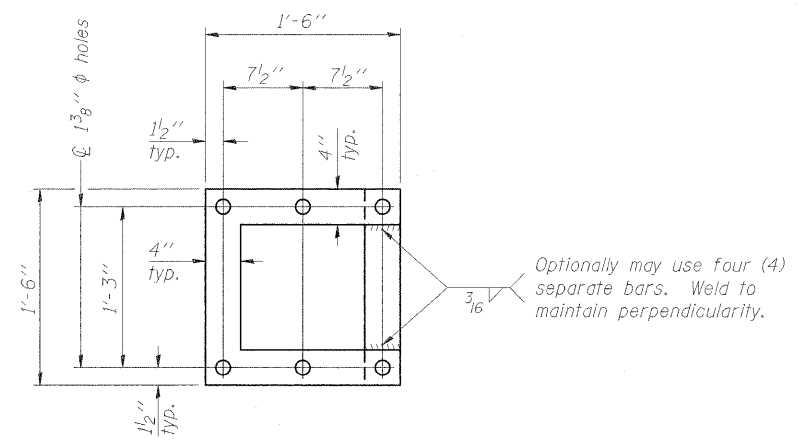


**SADDLE SHIM DETAIL**

\*R = D/2 + 1/32 at 90°  
D = Outside Diameter of Chord.  
For W, see Base Sheet OS-A-6.

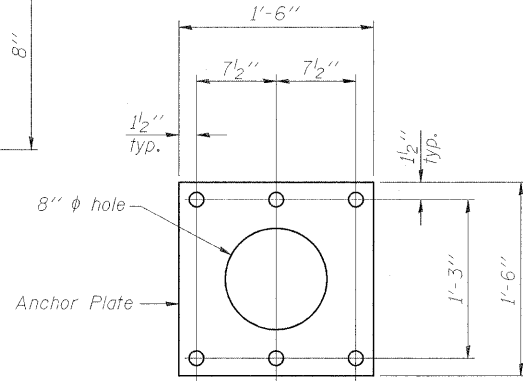
Truss Chord Nominal Dia.	a
5"	3/4"
5 1/2"	13/16"
6"	7/8"
6 1/2"	15/16"
7"	1"

ASTM B26 Alloy 356-F  
or  
ASTM B209 Alloy 6061-T651  
(4 required per sign truss)



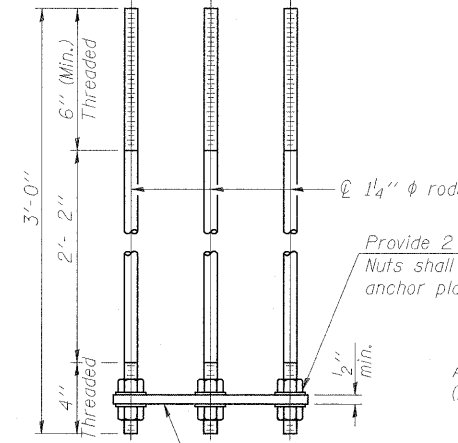
**POSITIONING PLATE(S)**

At each location, provide 1/4" thick positioning plate(s) and six (6) additional nuts to be used with leveling nuts to maintain anchor bolts position during concrete placement.  
1/4" plate and extra nuts become Contractor's property. Cost included in Drilled Shaft Concrete Foundations.



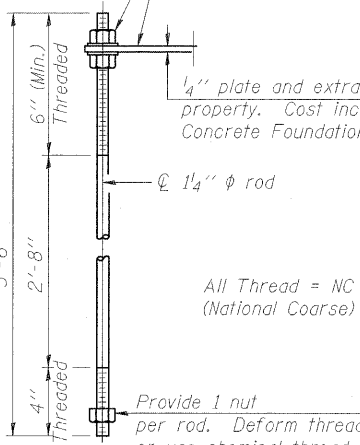
**ANCHOR ROD DETAIL**

Spread Footing Foundation



Provide 2 uncoated nuts per rod. Nuts shall be "snug tight" against anchor plate.

All Thread = NC (National Coarse)

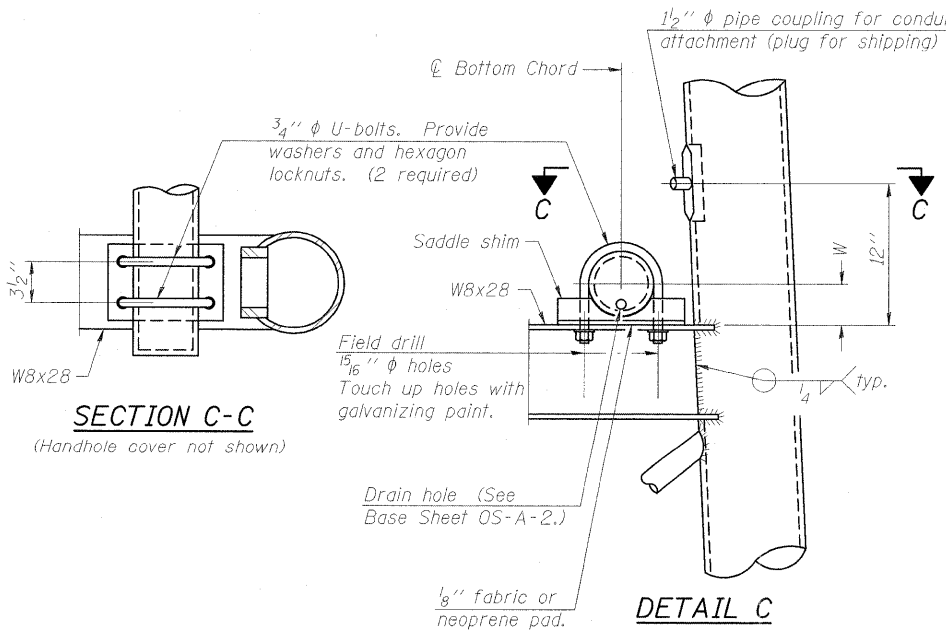


**ANCHOR ROD DETAIL**

Drilled Shaft Foundation

All Thread = NC (National Coarse)

Provide 1 nut per rod. Deform thread or use chemical thread lock to secure.



**SECTION C-C**

(Handhole cover not shown)

**DETAIL C**

**10" PIPE SUPPORT FRAME DETAILS**

Anchor rods shall conform to ASTM F1554 Grade 105. Galvanize upper 12" minimum per AASHTO M232. No welding shall be permitted on rods.

OS-A-6A

1-20-11

FILE NAME =	USER NAME =	DESIGNED -	REVISED -
...ND978182-sht-sign084-Truss-OS-A-6A.dgn	Rob Heady	JH	-
		DRAWN -	REVISED -
		JH	-
		CHECKED -	REVISED -
		SD	-
		DATE -	REVISED -
		10/07/11	-

STATE OF ILLINOIS  
DEPARTMENT OF TRANSPORTATION

OVERHEAD SIGN STRUCTURES  
SUPPORT FRAME DETAILS - ALUMINUM TRUSS

SCALE: SHEET NO. 6 OF 15 SHEETS STA. TO STA.

F.A. RTE.	SECTION	COUNTY	TOTAL SHEETS	SHEET NO.
* IX1-6-2HBK-2, HB-1,2; IX-DR-1	WILLIAMSON	968	497	
* F.A.I. 57 AND F.A.P. 331	CONTRACT NO. 78182			

EFK Moen, LLC  
Civil Engineering Design

ILLINOIS FED. AID PROJECT