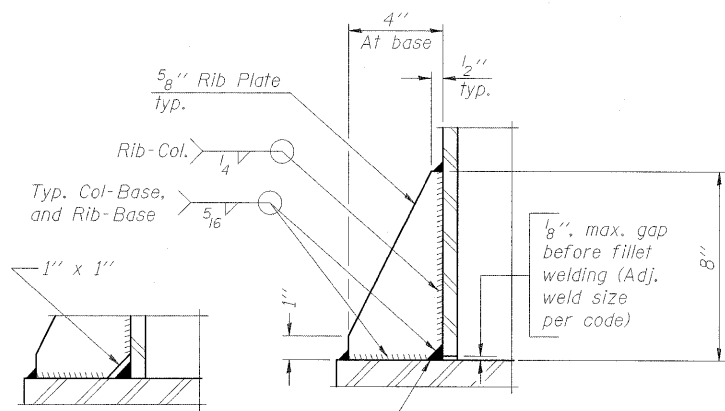
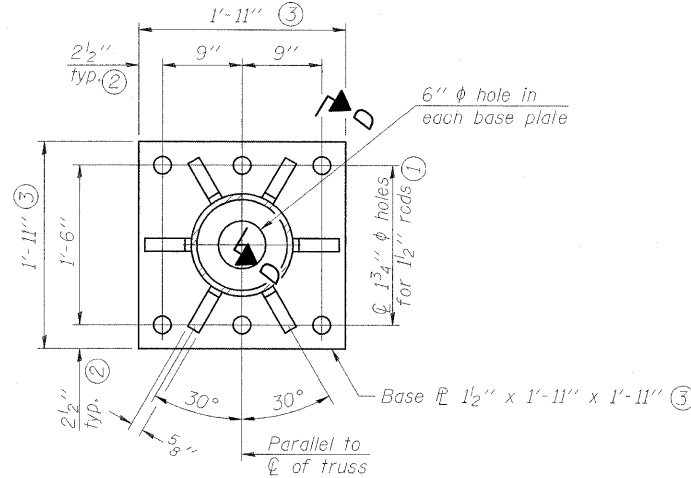
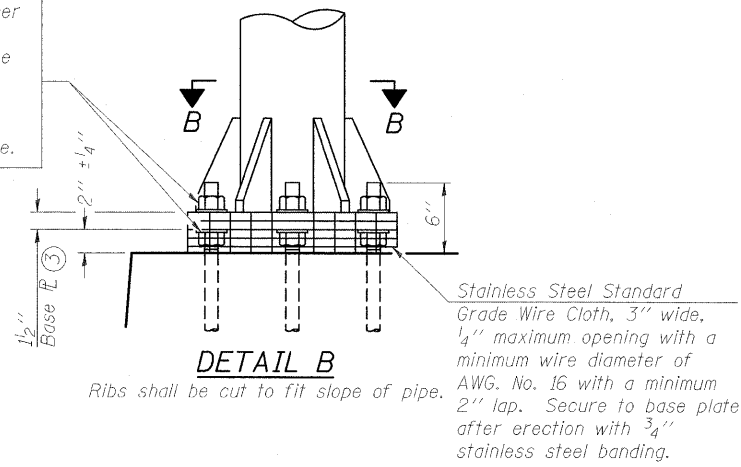
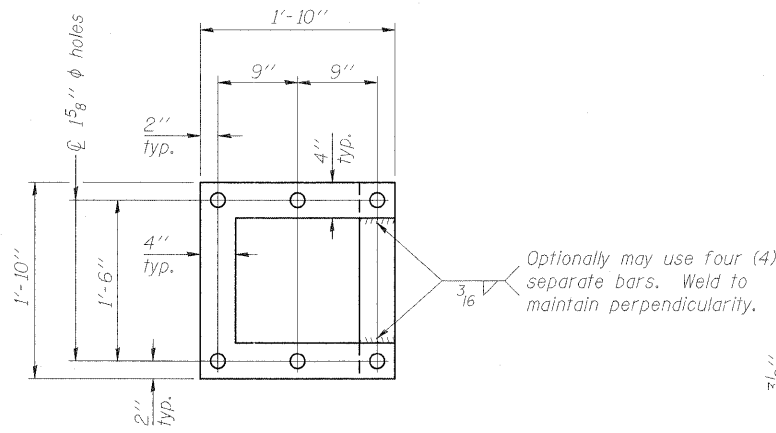


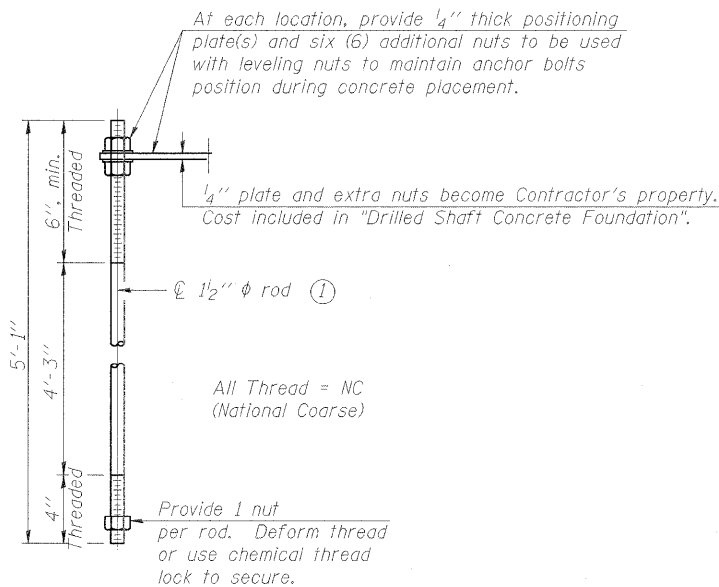
Hexagon locknut and washer (top), leveling nut and washer (bottom). Galvanize per AASHTO M232. Nuts shall each be tightened against base plate with 200 lb.-ft. minimum torque.



** Alternate detail if welding col. to base plate first, then snip inside corner of ribs. Terminate weld on rib 1/4" from snip.



POSITIONING PLATE(S)

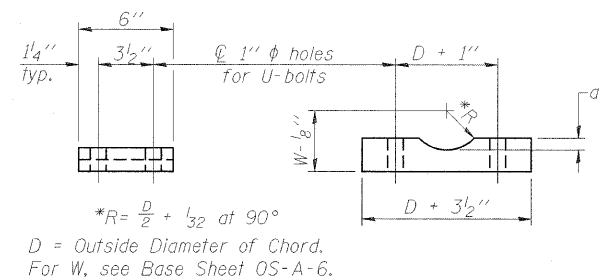
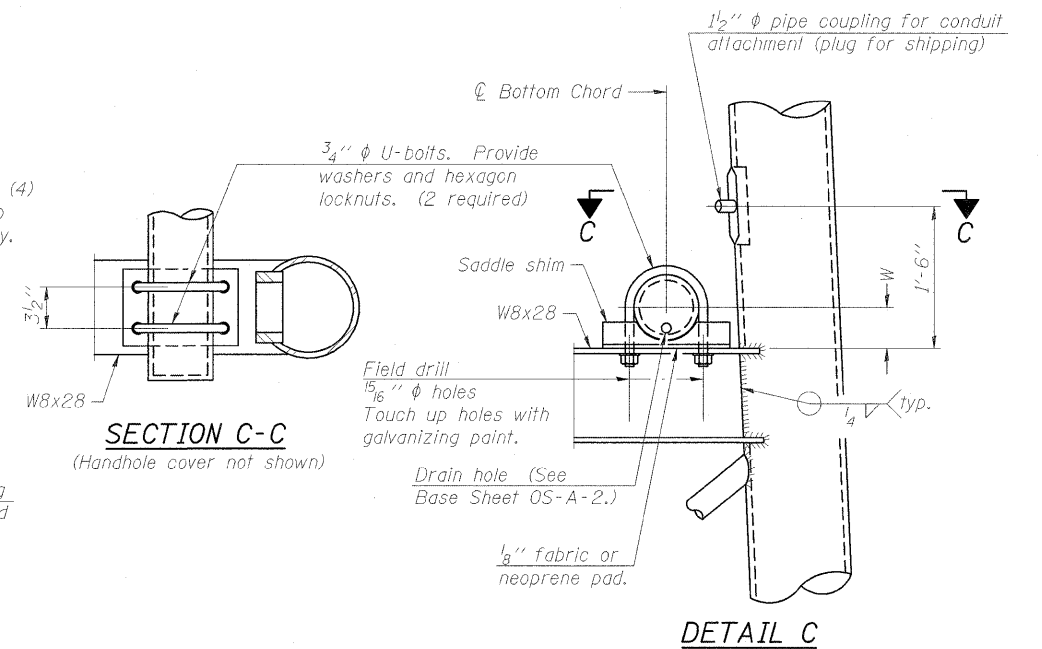


ANCHOR ROD DETAIL

**TYPE III-A TRUSS
12" ϕ PIPE SUPPORT FRAME DETAILS**

Notes:
For Type III-A Truss spans greater than 150 ft. and up to 160 ft.:

- ① 1 3/4" ϕ rod, 2" ϕ holes
- ② 2 3/4" edge distance
- ③ Base Pl. 1 5/8" x 1'-11 1/2" x 1'-11 1/2"



Truss Chord Nominal Dia.	a
7"	1"
8 1/2"	1 1/4"
9"	1 3/8"

SADDLE SHIM DETAIL
ASTM B26 Alloy 356-F
or
ASTM B209 Alloy 6061-T651
(4 required per sign truss)

OS4-A-8aA

1-20-11

EFK Moen, LLC
Civil Engineering Design

FILE NAME = ...10978182-sht-sign086-Truss-OS4-A-8aA.dgn	USER NAME = Rob Heady	DESIGNED - JH	REVISED -	STATE OF ILLINOIS DEPARTMENT OF TRANSPORTATION	OVERHEAD SIGN STRUCTURES SUPPORT FRAME FOR TYPE III-A ALUMINUM TRUSS	F.A. RTE.	SECTION	COUNTY	TOTAL SHEETS	SHEET NO.
PLOT SCALE = 50,0000' / IN.	CHECKED - SD	DATE - 10/07/11	REVISED -			* IXI-6-2H8K-2, HB-1,2; IX-DR-1	WILLIAMSON	968	499	
PLOT DATE = 10/7/2011	DATE - 10/07/11	REVISED -	REVISED -			* F.A.I. 57 AND F.A.P. 331	CONTRACT NO. 78182	ILLINOIS FED. AID PROJECT		
						SCALE:	SHEET NO. 8 OF 15 SHEETS	STA.	TO STA.	