

**NOTES:**  
 The foundation dimensions shown are based on the presence of mostly cohesive soils with an average Unconfined Compressive Strength ( $Q_u$ ) of at least 1.25 tsf, which must be determined by previous soil investigations at the jobsite. When other conditions are indicated, the boring data will be included in the plans and the foundation dimensions shown will be the result of site specific designs.  
 If the conditions encountered are different than those indicated, the Contractor shall notify the Engineer to determine if the foundation dimensions need to be modified. If dimensions "B" or "F" are revised by more than 12" by the Contractor, "as-built" plans shall be prepared and submitted to the District Bureau of Operations for future reference.  
 No sonotubes or decomposable forms shall be used below the lower conduit entrance. Permanent metal forms or other shielding may not be left in place below that elevation without the Engineer's written permission.  
 Concrete shall be placed monolithically, without construction joints. Backfill shall be placed per Article 502 of Standard Specification and prior to erection of support column.  
 A normal surface finish followed by a Bridge Seat Sealer application will be required on concrete surfaces above the lowest elevation 6" below finished ground line. Cost included in Drilled Shaft Concrete Foundation.  
 Cost of copper weld ground rod, cable, conduit, caps and clamps shall be included in "Drilled Shaft Concrete Foundations".

**BAR LIST - EACH FOUNDATION**

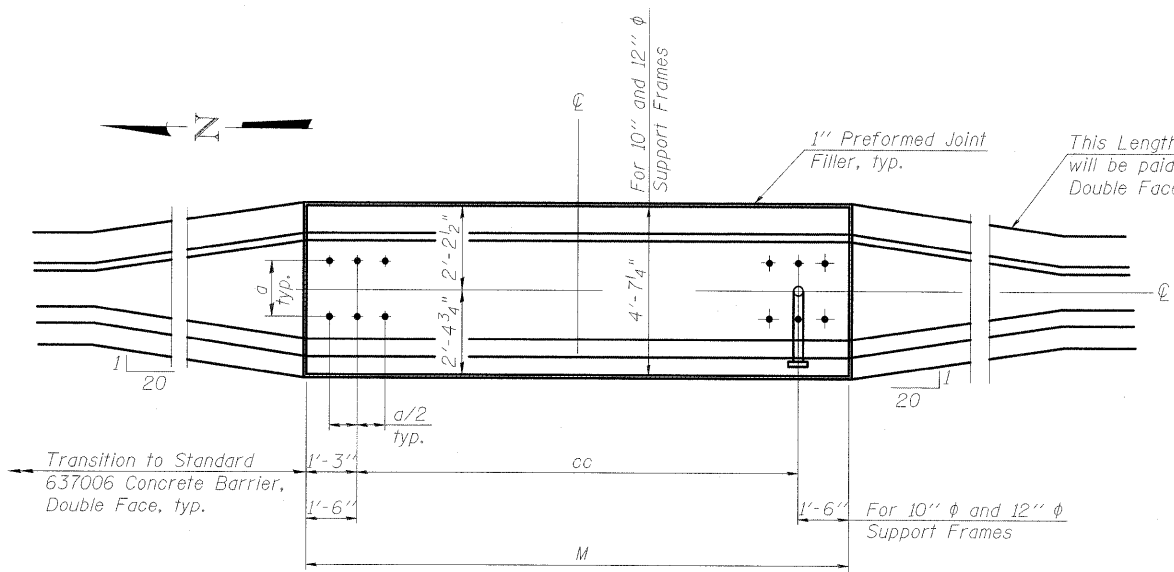
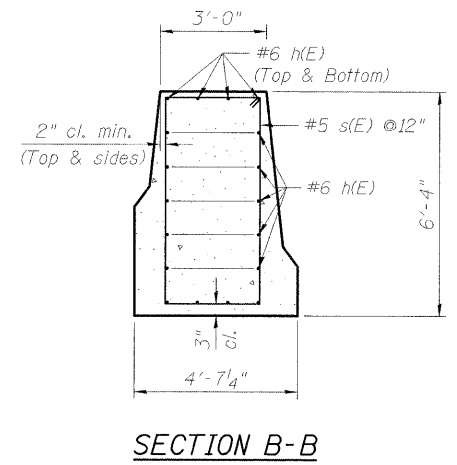
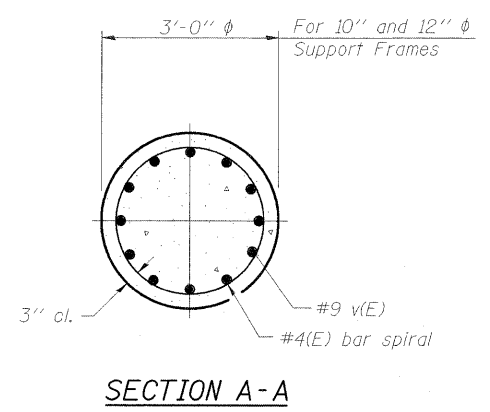
Pipe Support Frames	cc	M	a	a/2
6" $\phi$	7'-0"	9'-6"	0'-11"	5 1/2"
8" $\phi$	7'-6"	10'-0"	1'-1 1/2"	6 3/4"
10" $\phi$	8'-3"	11'-3"	1'-3"	7 1/2"
12" $\phi$	9'-0"	12'-0"	1'-6"	9"

Bar	Number	Size	Length	Shape
h(E)	18	#6	M less 4"	—
s(E)	8	#5	17'-8"	□
v(E)	24	#9	F less 0'-5"	—

10"  $\phi$  and 12"  $\phi$  Support Frame

**SIDE ELEVATION**  
 Concrete Foundation poured monolithically with no construction joint.

3 hoops minimum top and bottom typ.



Structure Number	Station	Left Foundation				Right Foundation				Class DS Concrete (Cu. Yds.)
		Elevation Top	Elevation Bottom	B	F	Elevation Top	Elevation Bottom	B	F	
9S1001057R053.2	1510+00 (I-57)	467.05	444.21	16'-6"	22'-10"					18.86

OS4-MED2

EFK Moen, LLC  
 Civil Engineering Design

STATE OF ILLINOIS  
 DEPARTMENT OF TRANSPORTATION

OVERHEAD SIGN STRUCTURES  
 MEDIAN SUPPORT FOUNDATION DETAILS

F.A. RTE.	SECTION	COUNTY	TOTAL SHEETS	SHEET NO.
* (X1-6-2)HBK-2, HB-1,2; (X1-1R-1)	WILLIAMSON	968	506	
* F.A.I. 57 AND F.A.P. 331				CONTRACT NO. 78182

FILE NAME	USER NAME	DESIGNED	REVISIONS
...ND978182-sht-sign@93-Truss-OS4-MED.2.dgn	Rob Heady	CW	
		CW	
		CW	

SCALE: SHEET NO. 15 OF 15 SHEETS STA. TO STA.