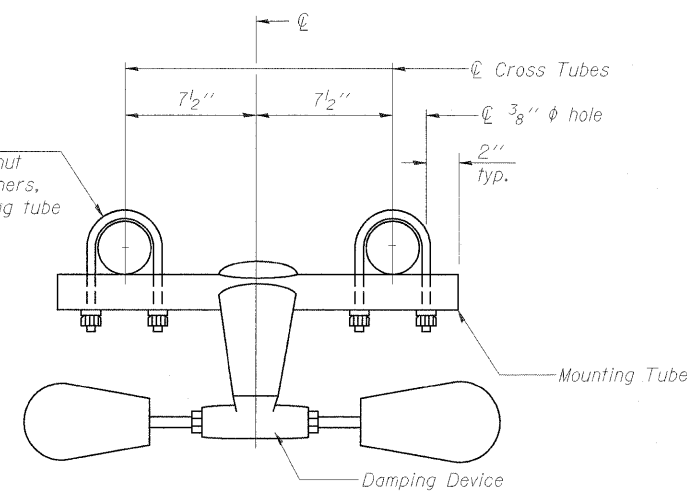
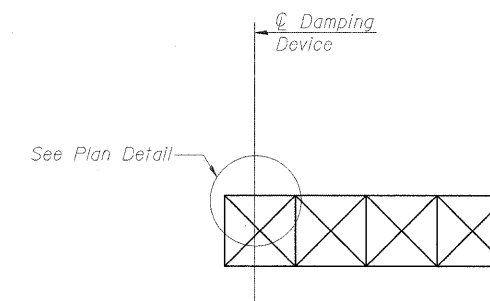


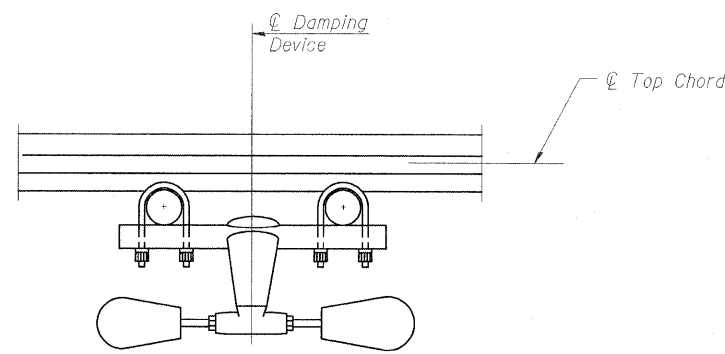
**PLAN DETAIL**



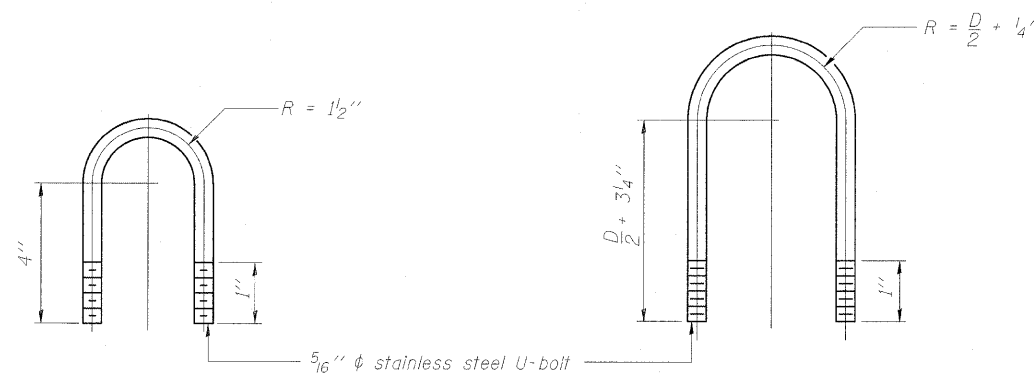
**TRUSS DAMPING DEVICE CONNECTION DETAIL**



**ELEVATION**  
Aluminum Cantilever Sign Structure



**SECTION A-A**



**DAMPING DEVICE MOUNTING TUBE U-BOLT DETAIL**  
(Typical)

**TOP CHORD TO CROSS TUBE U-BOLT DETAIL**  
(Typical)

**GENERAL NOTES**

- Damper: One damper per truss. (31 lbs. Stockbridge-Type Aluminum-29" minimum between ends of weights)
- Materials: Aluminum tubes shall be ASTM B221 alloy 6061 temper T6

OSC-A-D

9-15-11

**EFK Moen, LLC**  
Civil Engineering Design

|   |                       |                 |           |   |   |                         |      |           |                                   |            |              |           |  |
|---|-----------------------|-----------------|-----------|---|---|-------------------------|------|-----------|-----------------------------------|------------|--------------|-----------|--|
| FILE NAME =                                 | USER NAME = Rob Heady | DESIGNED - JH   | REVISED - | <b>STATE OF ILLINOIS<br/>DEPARTMENT OF TRANSPORTATION</b> | <b>CANTILEVER SIGN STRUCTURE<br/>DAMPING DEVICE</b> |                         |      | F.A. RTE. | SECTION                           | COUNTY     | TOTAL SHEETS | SHEET NO. |  |
| ...D978182-sht-sign@96-Cantilever-OSC-A.dgn |                       | DRAWN - JH      | REVISED - |   | SCALE:  | SHEET NO. 3 OF 9 SHEETS | STA. | TO STA.   | * (X1-6-2)HBK-2, HB-1,2; (X-1)R-1 | WILLIAMSON | 968          | 509       |  |
|   |                       | CHECKED - SD    | REVISED - |   |   |                         |      |           | * F.A.I. 57 AND F.A.P. 331        |            |              |           |  |
|   |                       | DATE - 10/07/11 | REVISED - |   |   |                         |      |           | CONTRACT NO. 78182                |            |              |           |  |

ILLINOIS FED. AID PROJECT