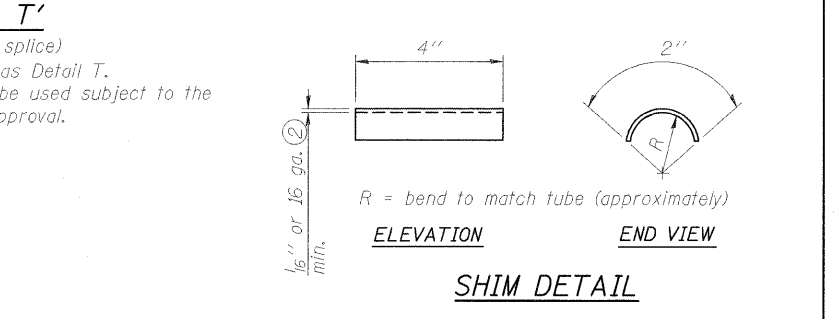
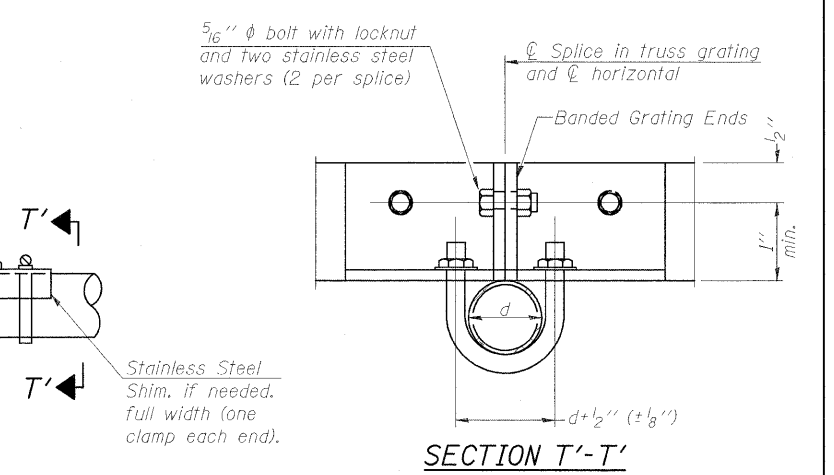
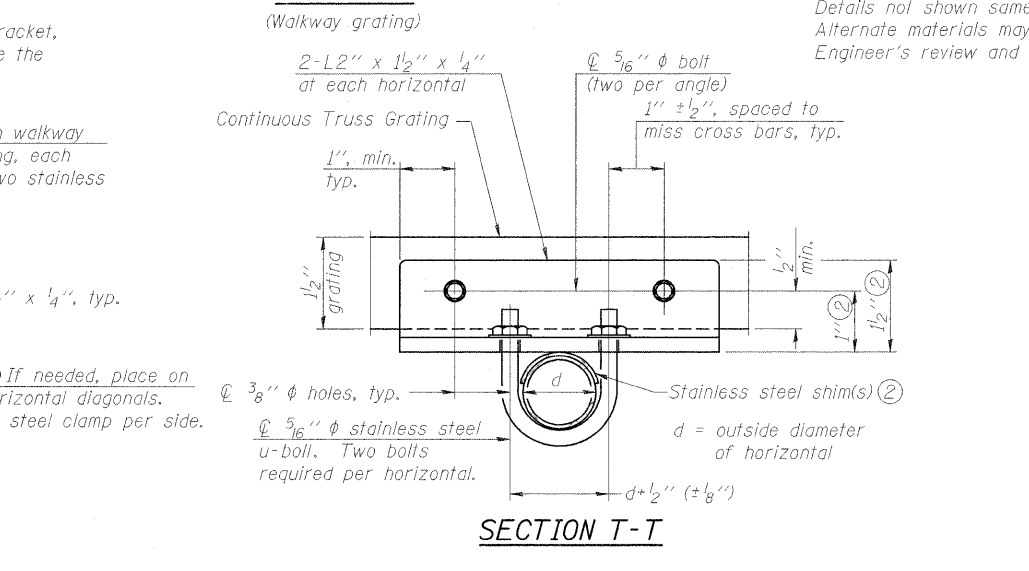
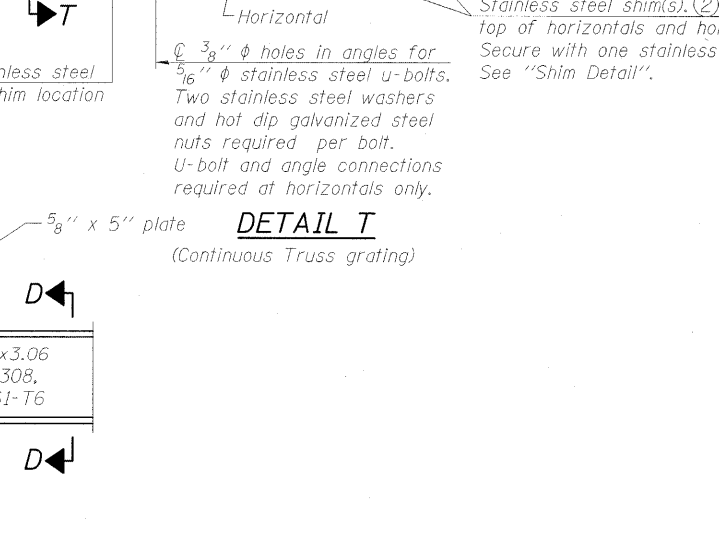
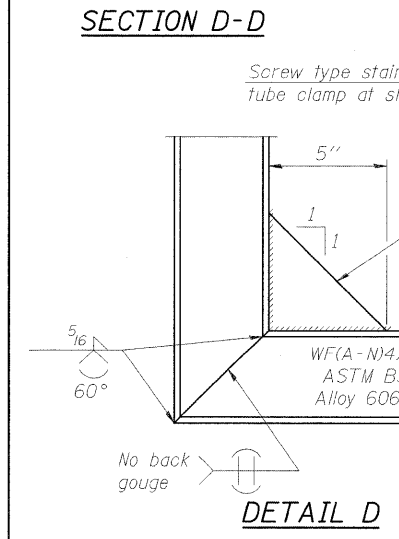
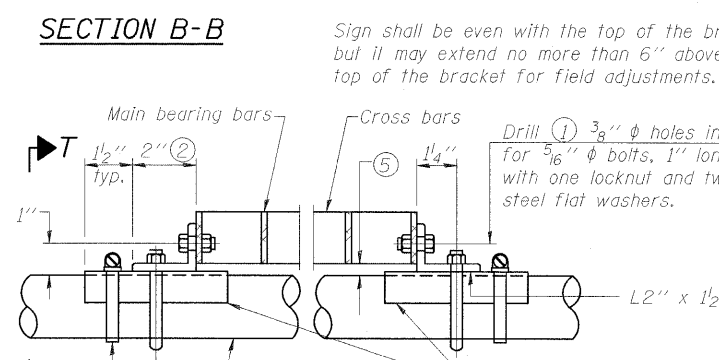
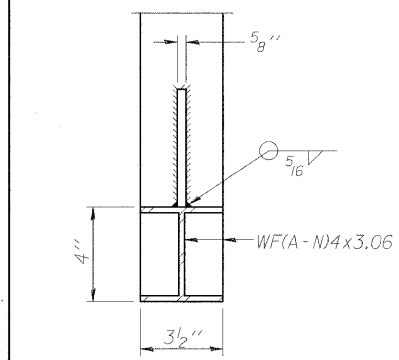


SPECIFICATIONS FOR STANDARD ALUMINUM GRATING
 Main Bearing Bars (MBB) shall be 3/16" x 1 1/2" on 1 3/16" centers and conform to ASTM B211 Alloy 6061-T6.
 Cross bars (CB) shall be 3/16" x 1 1/2" on 4" centers and conform to ASTM B221 Alloy 6063-T5 or 6061-T6.

OR
 Aluminum Grating with modified "T" sections for main bearing bars shall meet the following requirements:
 Main bars shall conform to ASTM B221 Alloy 6061-T6 and have a minimum section modulus equal to 0.0705 in.³ per bar, a depth of 1 1/2", spaced on 1 3/16" centers.
 Cross bars shall conform to ASTM B221 Alloy 6063-T5 or T-42 and spaced on 4" centers.



- ① Drilling holes in grating may be done in shop or field, based on Contractor's preference and subject to accurate alignment.
- ② Stainless steel shims shall be placed as shown in Detail T if needed to compensate for alignment variations between horizontal and diagonal pipes beyond adjustment provided by angles. Thicker shims may be used subject to shims performing properly.
- ③ If Handrail Joint present, weld angle to WF(A-N)4 and 1/4" extension bars. (See Base Sheet OSC-A-8.)
- ④ 1/8" x 1/2" x 2" welded to handrail posts to protect locations that contact grating.
- ⑤ Tube to grating gap may vary from 0 to 1/2", max. to align walkway, allow for camber, etc.
- ⑥ Based on actual sign height, D_s, given on OSC-A-1.



Structure Number	Station	A	⑥ B	C	⑥ D
9C1001057L054.0	1462+68 (I-57)	7 1/2"	3'-3"	7'-0"	10'-9"
9C1001057R053.6	1492+80 (I-57)	7"	4'-3"	5'-6"	10'-6"
9C1001057L053.5	1493+20 (I-57)	7"	4'-0"	5'-6"	10'-0"
9C100L013R000.0	1808+33 (IL 13)	7"	3'-6"	5'-6"	9'-6"
9C100L013L000.1	1819+67 (IL 13)	7"	2'-3"	5'-6"	8'-3"

OSC-A-7

9-15-11

FILE NAME = ... \D978182-sht-sign100-Cantilever-OSC-A-7.dgn	USER NAME = Rob Heady	DESIGNED - JH	REVISIONS -
PLOT SCALE = 50.0000' / IN.	CHECKED - SD	DRAWN - JH	REVISIONS -
PLOT DATE = 10/7/2011	DATE - 10/07/11	DATE - 10/07/11	REVISIONS -

STATE OF ILLINOIS
 DEPARTMENT OF TRANSPORTATION

CANTILEVER SIGN STRUCTURES - WALKWAY DETAILS
 ALUMINUM TRUSS & STEEL POST

SCALE: SHEET NO. 7 OF 9 SHEETS STA. TO STA.

F.A. RTE.	SECTION	COUNTY	TOTAL SHEETS	SHEET NO.
• IX1-6-2HBK-2, HB-1,2; IX-10R-1	WILLIAMSON	968	513	
• F.A.I. 57 AND F.A.P. 331 CONTRACT NO. 78182 ILLINOIS FED. AID PROJECT				

EFK•Moen, LLC
 Civil Engineering Design