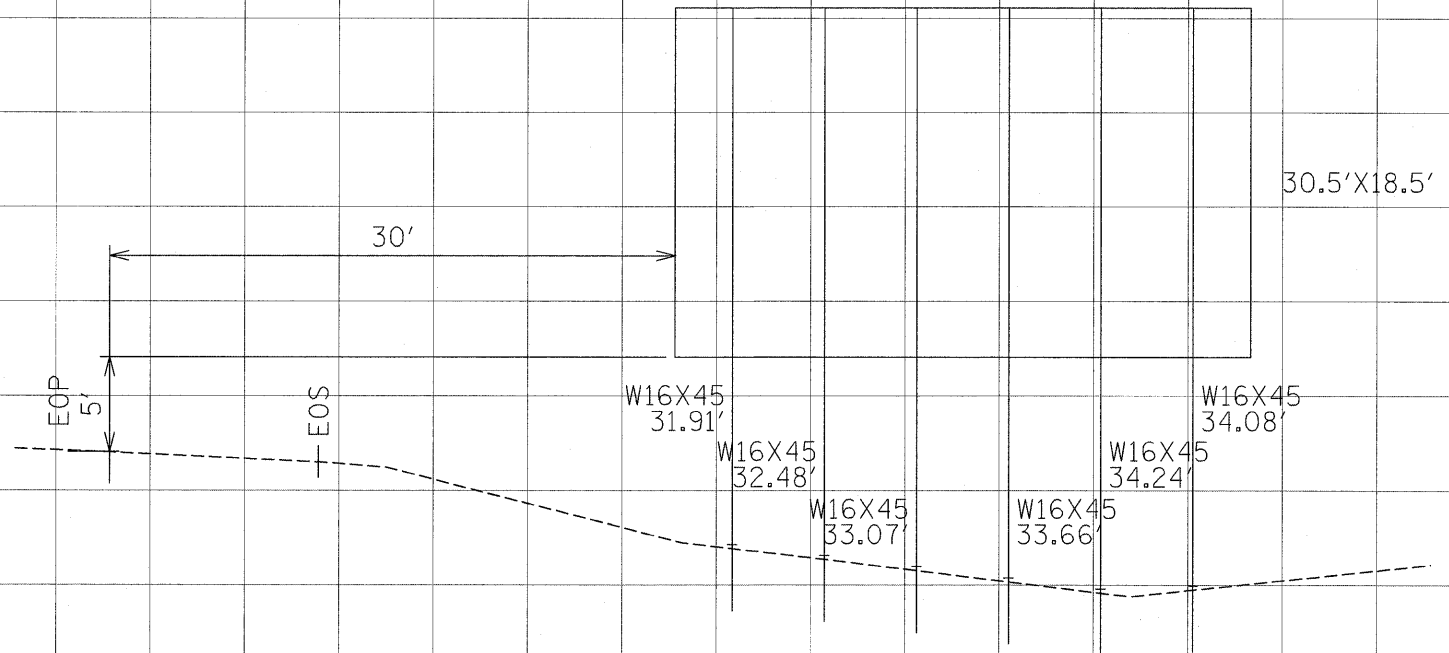
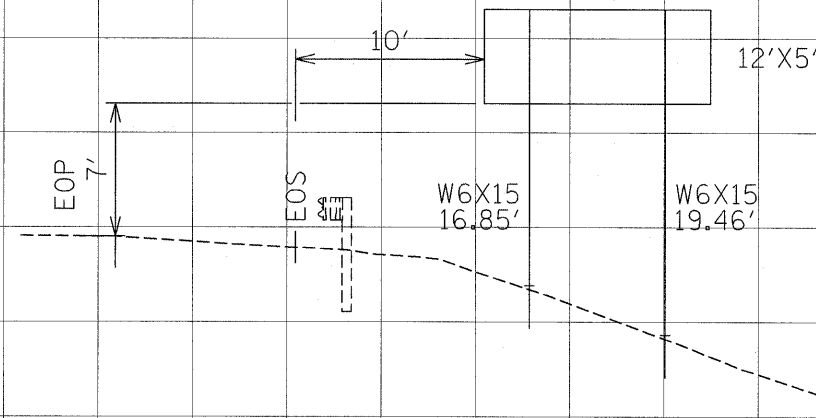


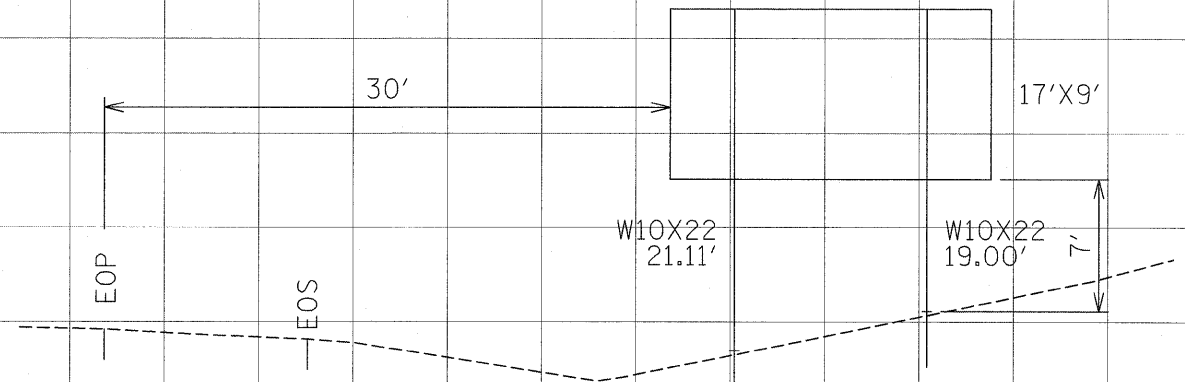
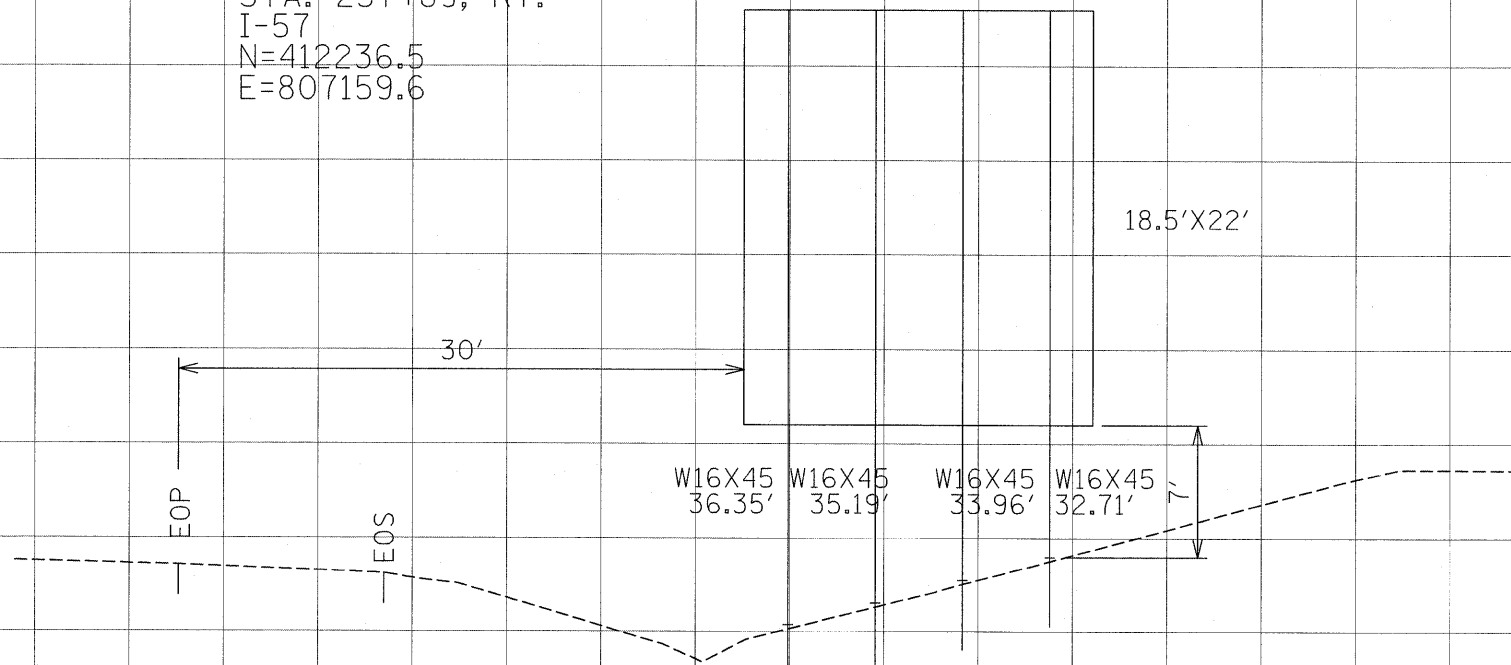
STA. 228+40, RT.  
I-57  
N=413185.6  
E=807176.2

STA. 233+14, RT.  
I-57  
N=412711.1  
E=807154.9



STA. 237+89, RT.  
I-57  
N=412236.5  
E=807159.6

STA. 247+50, RT.  
I-57  
N=411275.5  
E=807157.6



DATE	
BY	
FINAL SURVEY	
SURVEYED	
PLOTTED	
NOTE BOOK	
AREAS CHECKED	
NO.	

DATE	
BY	
ORIGINAL SURVEY	
SURVEYED	
PLOTTED	
NOTE BOOK	
AREAS CHECKED	
NO.	

**EFK Moen, LLC**  
Civil Engineering Design

FILE NAME = ...\\D978182-sht-sign108-122-Ground Mount Xsec.dgn

USER NAME = Rob Heady  
DESIGNED - JD  
DRAWN - MK  
CHECKED - SD  
DATE - 10/07/11

REVISED -  
REVISED -  
REVISED -  
REVISED -

STATE OF ILLINOIS  
DEPARTMENT OF TRANSPORTATION

GROUND MOUNT SIGN CROSS SECTIONS

SCALE: 1" = 1'H SHEET NO. 1 OF 15 SHEETS STA. TO STA.

F.A. RTE.	SECTION	COUNTY	TOTAL SHEETS	SHEET NO.
*	(X1-6-2)HBK-2,HB-1,2;(X1-1R-1	WILLIAMSON	968	521
* F.A.I. 57 AND F.A.P. 331			CONTRACT NO. 78182	
ILLINOIS FED. AID PROJECT				