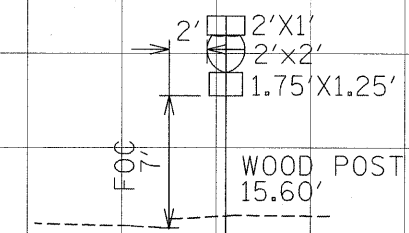
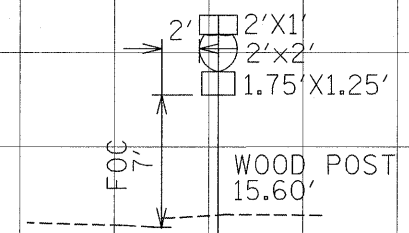
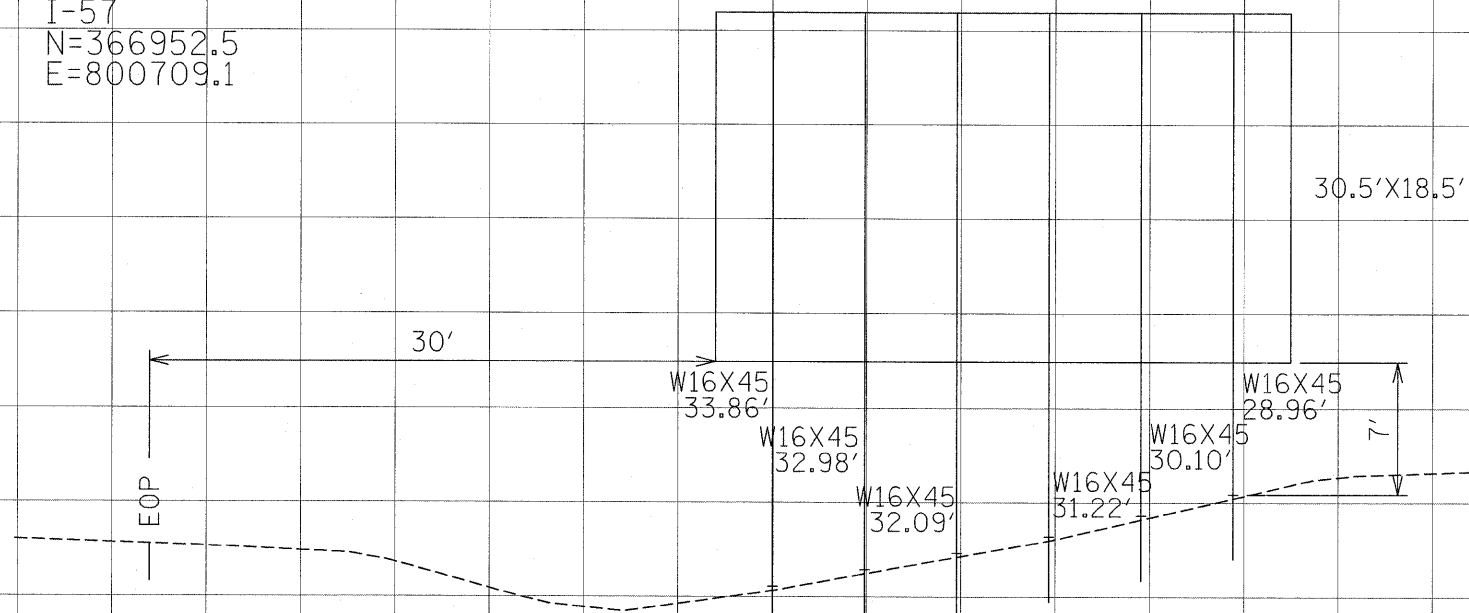


STA. 168+50, LT.
I-57
N=366952.5
E=800709.1

STA. 1791+28, LT
IL 13

STA. 1793+36, RT
IL 13

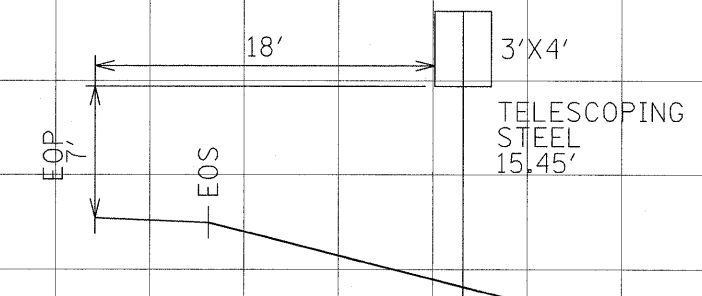
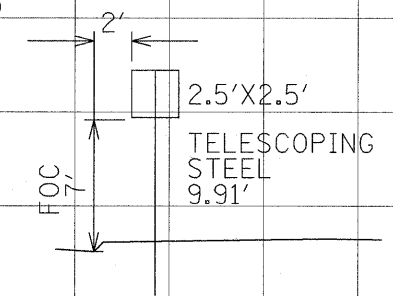
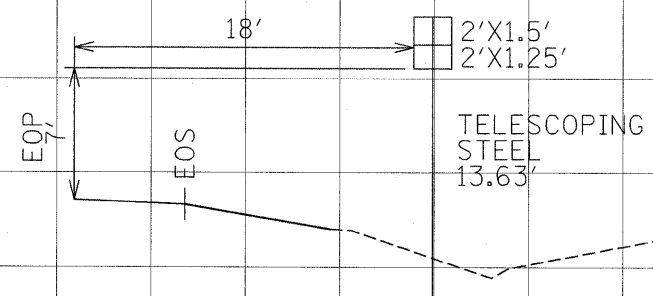
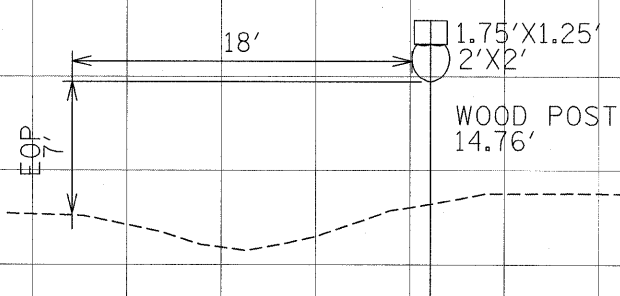


STA. 1796+76, RT
IL 13

STA. 1799+24, LT
IL 13

STA. 1799+76, LT
IL 13

STA. 1801+16, LT
IL 13

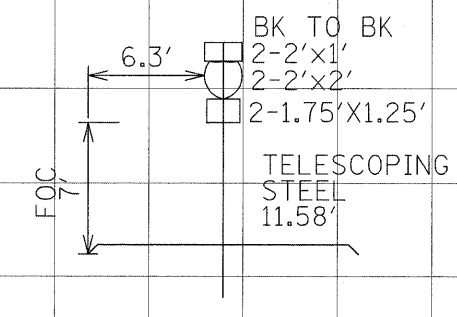
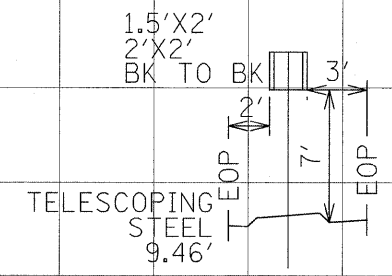
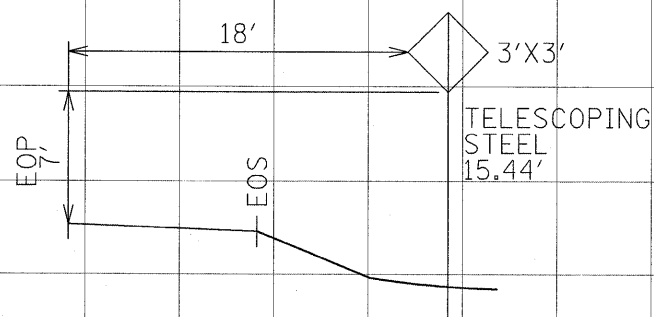
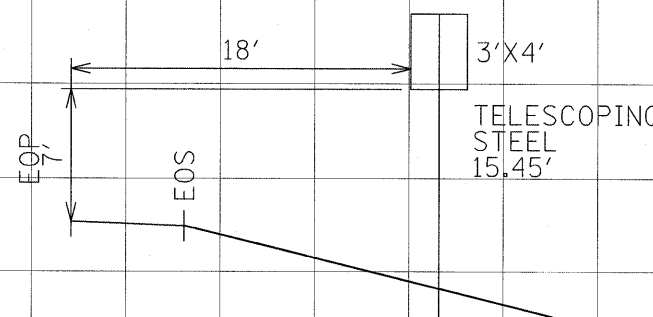


STA. 1805+26, RT
IL 13

STA. 1807+71, LT
IL 13

STA. 1812+15, LT
IL 13

STA. 1813+59, LT
IL 13



EFK Moen, LLC
Civil Engineering Design

DATE	
BY	
SURVEYED	
PLOTTED	
NOTE BOOK	
AREAS CHECKED	
NO.	

DATE	
BY	
SURVEYED	
PLOTTED	
NOTE BOOK	
AREAS CHECKED	
NO.	

FILE NAME = ...D978182-sht-sign188-122-Ground Mount Xsec.dgn
USER NAME = Brad Downen
PLOT SCALE = 5.0000' / IN.
PLOT DATE = 10/10/2011

DESIGNED - JD
DRAWN - MK
CHECKED - SD
DATE - 10/07/11

REVISED -
REVISED -
REVISED -
REVISED -

STATE OF ILLINOIS
DEPARTMENT OF TRANSPORTATION

GROUND MOUNT SIGN CROSS SECTIONS
SCALE: 1" = 1'
SHEET NO. 11 OF 15 SHEETS
STA. TO STA.

F.A. RTE.	SECTION	COUNTY	TOTAL SHEETS	SHEET NO.
•	(X1-6-2)HBK-2,HB-1,2(HX-1)R-1	WILLIAMSON	968	531
•	F.A.I. 57 AND F.A.P. 331			CONTRACT NO. 78182
ILLINOIS FED. AID PROJECT				