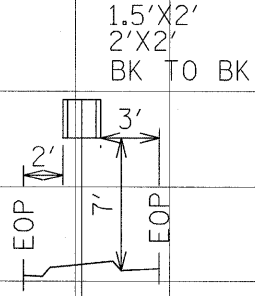


DATE	
BY	
ORIGINAL SURVEY	
PLOTTED	
NOTE BOOK	
AREAS CHECKED	
NO.	

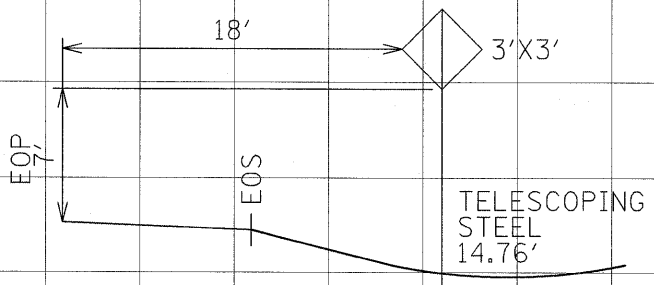
DATE	
BY	
ORIGINAL SURVEY	
PLOTTED	
NOTE BOOK	
AREAS CHECKED	
NO.	

STA. 1814+98, RT
IL 13



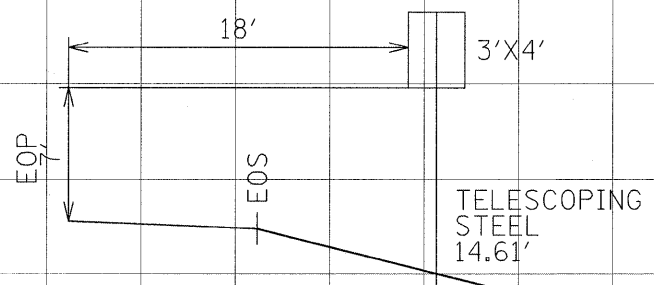
TELESCOPING STEEL
9.49'

STA. 1817+30, RT
IL 13



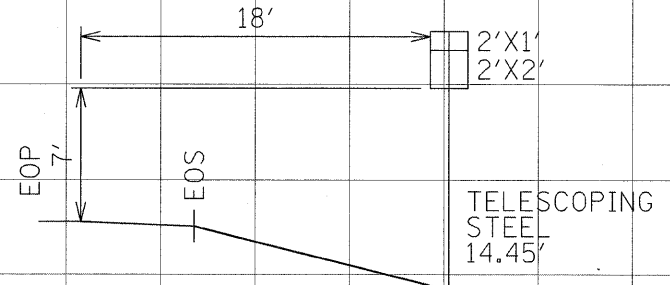
TELESCOPING STEEL
14.76'

STA. 1826+00, RT
IL 13



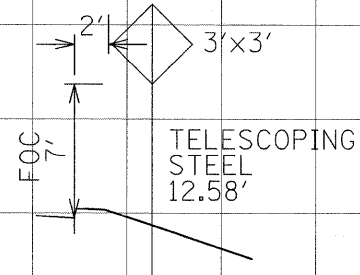
TELESCOPING STEEL
14.61'

STA. 830+78, RT
IL 13



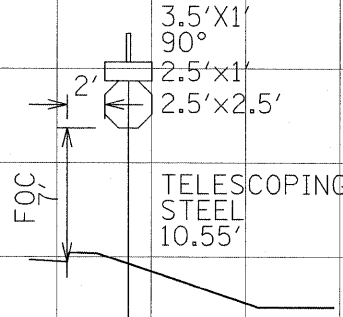
TELESCOPING STEEL
14.45'

STA. 11+77, RT
BITTLE PL



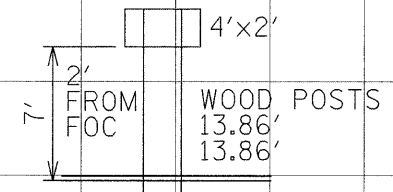
TELESCOPING STEEL
12.58'

STA. 0+32, LT
CORNELL AVE



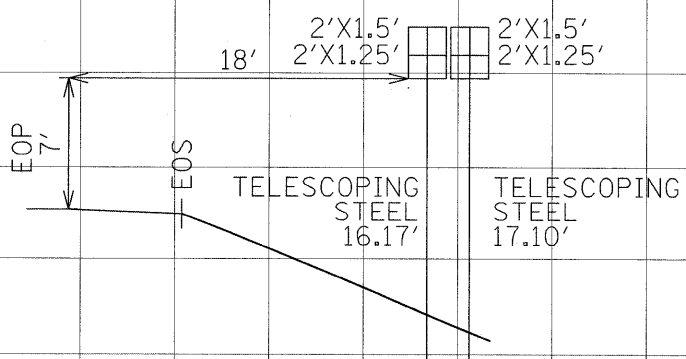
TELESCOPING STEEL
10.55'

STA. 11+13, LT
BITTLE PL



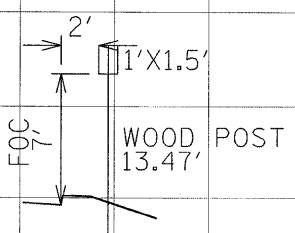
WOOD POSTS
13.86', 13.86'

STA. 833+94, RT
IL 13



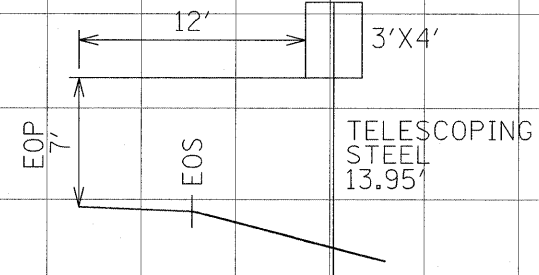
TELESCOPING STEEL
16.17', 17.10'

STA. 8+05, RT
BITTLE PL



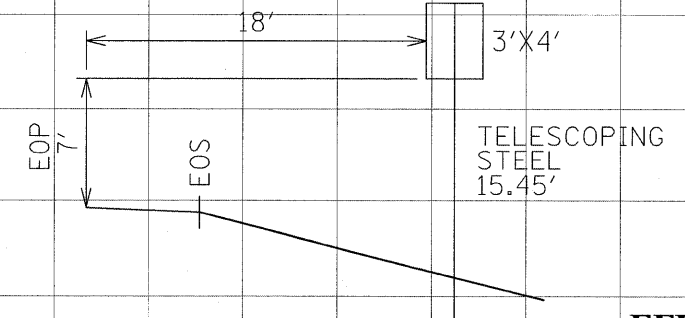
WOOD POST
13.47'

STA. 836+08, LT
IL 13



TELESCOPING STEEL
13.95'

STA. 836+35, RT
IL 13



TELESCOPING STEEL
15.45'

EFK Moen, LLC
Civil Engineering Design

FILE NAME =	USER NAME = Brad Downen	DESIGNED - JD	REVISED -	STATE OF ILLINOIS DEPARTMENT OF TRANSPORTATION	GROUND MOUNT SIGN CROSS SECTIONS	F.A. RTE.	SECTION	COUNTY	TOTAL SHEETS	SHEET NO.
...\\D978182-sht-sign\18-122-Ground Mount Xsec.dgn		DRAWN - MK	REVISED -			• (X1-6-2HKB-2,HB-1,2H1X-1R-1	WILLIAMSON	968	532	
PLOT SCALE = 5.0000' / IN.		CHECKED - SD	REVISED -			• F.A.I. 57 AND F.A.P. 331			CONTRACT NO. 78182	
PLOT DATE = 10/10/2011		DATE - 10/07/11	REVISED -			ILLINOIS FED. AID PROJECT				
					SCALE: 1"V : 1" H	SHEET NO. 12 OF 15 SHEETS		STA.	TO STA.	