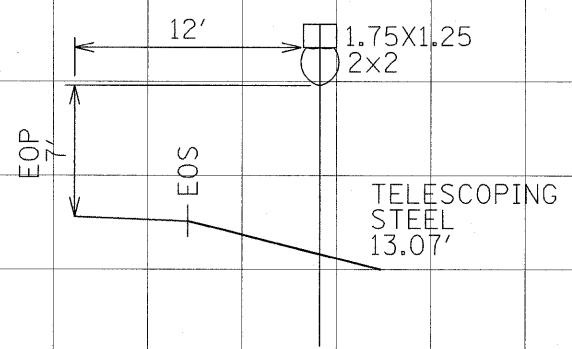


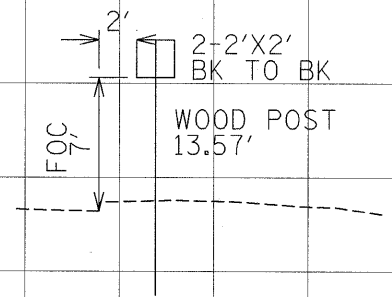
DATE	
BY	
SURVEYED	
PLOTTED	
NOTE BOOK	
AREAS CHECKED	
NO.	

DATE	
BY	
SURVEYED	
PLOTTED	
NOTE BOOK	
AREAS CHECKED	
NO.	

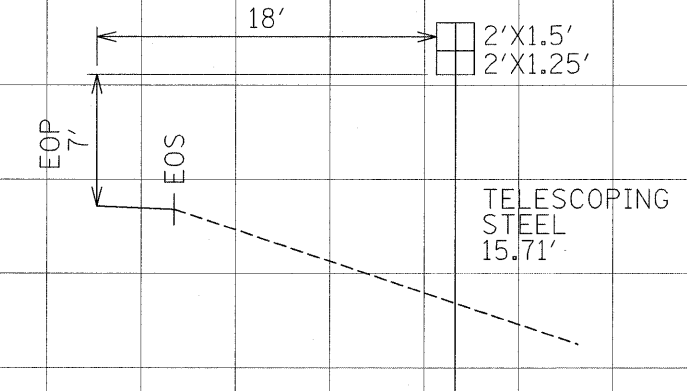
STA. 836+55, LT
IL 13



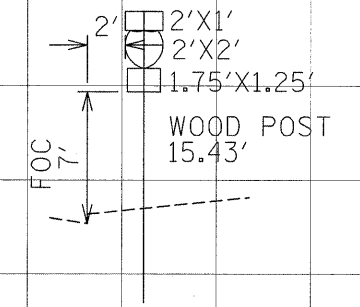
STA. 5+69, LT
BITTLE PL



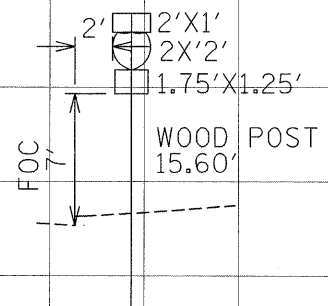
STA. 837+13, RT
IL 13



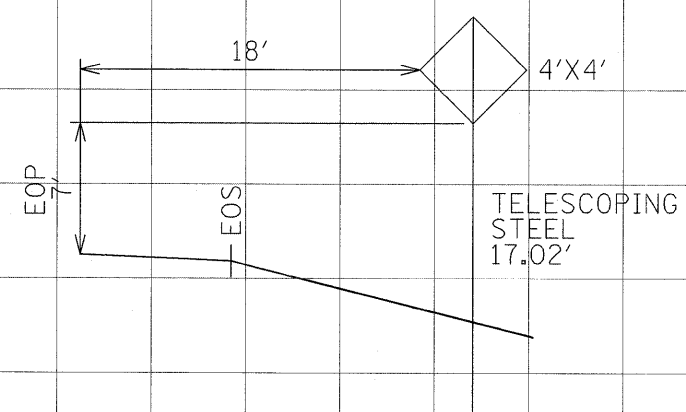
STA. 842+17, LT
IL 13



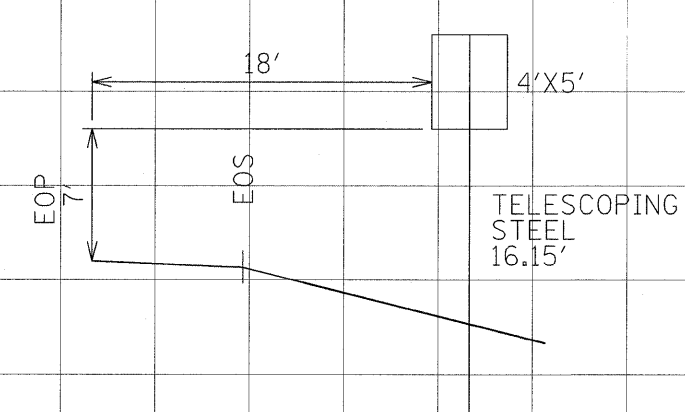
STA. 843+00, RT
IL 13



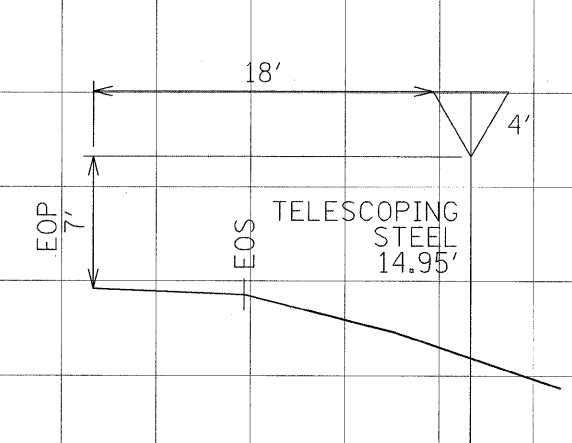
STA. 16+27, RT
RAMP A



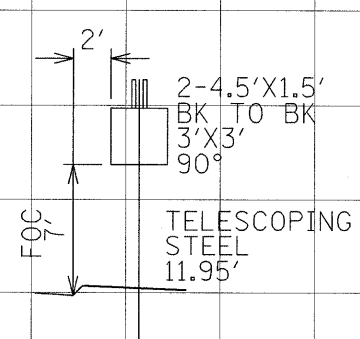
STA. 15+29, RT
RAMP A



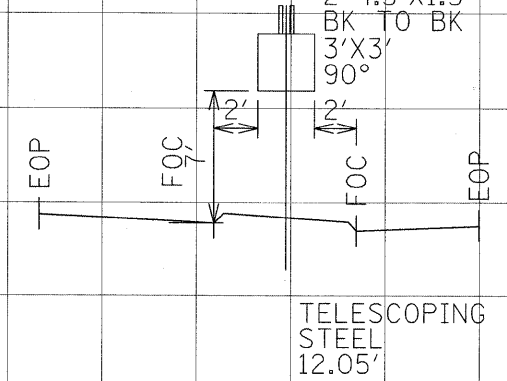
STA. 2+92, RT
RAMP A-R



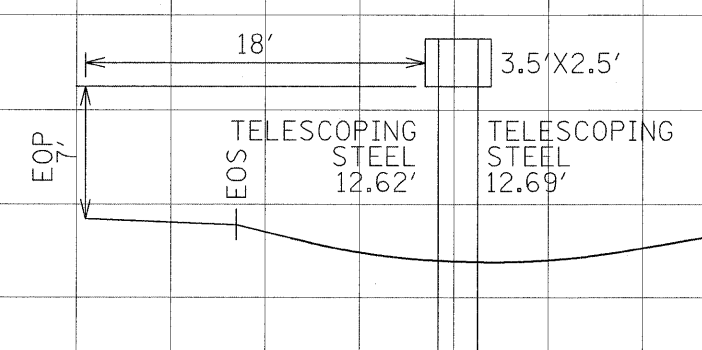
STA. 21+96, LT
RAMP B



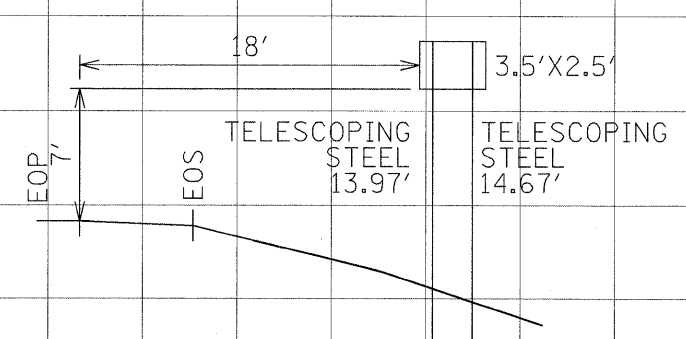
STA. 21+15, RT
RAMP B



STA. 18+97, RT
RAMP B



STA. 18+97, LT
RAMP B



EFK Moen, LLC
Civil Engineering Design

FILE NAME = ...\\0978182-shr\sign\106-122-Ground Mount Xsec.dgn

USER NAME = Brad Downen
PLOT SCALE = 5.0000' / IN.
PLOT DATE = 10/10/2011

DESIGNED - JD
DRAWN - MK
CHECKED - SD
DATE - 10/07/11

REVISED -
REVISED -
REVISED -
REVISED -

STATE OF ILLINOIS
DEPARTMENT OF TRANSPORTATION

GROUND MOUNT SIGN CROSS SECTIONS

SCALE: 1" = 1'H SHEET NO. 13 OF 15 SHEETS STA. TO STA.

F.A. RTE.	SECTION	COUNTY	TOTAL SHEETS	SHEET NO.
•	(X1-6-2)HBK-2,HB-1,2,(1X-1)R-1	WILLIAMSON	968	533
•	F.A.I. 57 AND F.A.P. 331			CONTRACT NO. 78182
ILLINOIS FED. AID PROJECT				