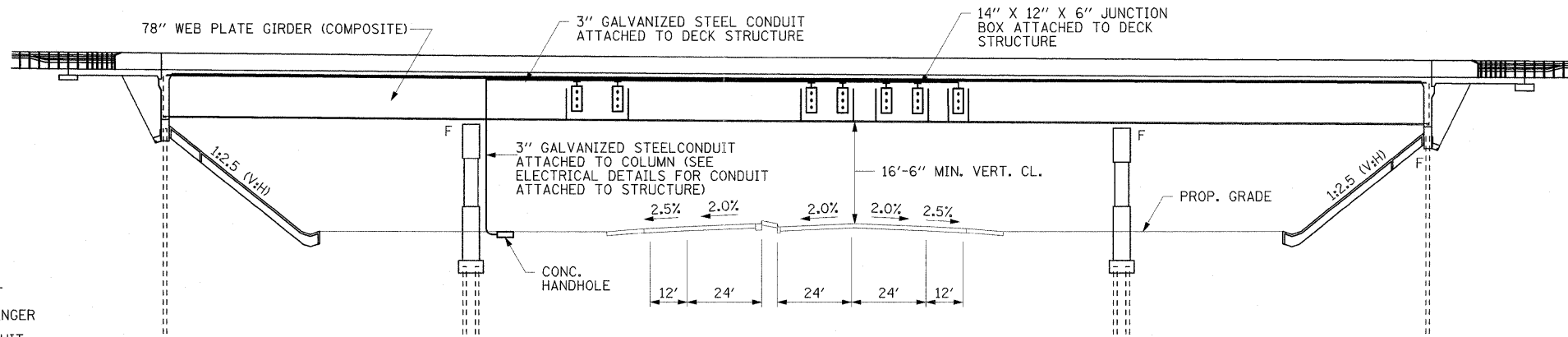
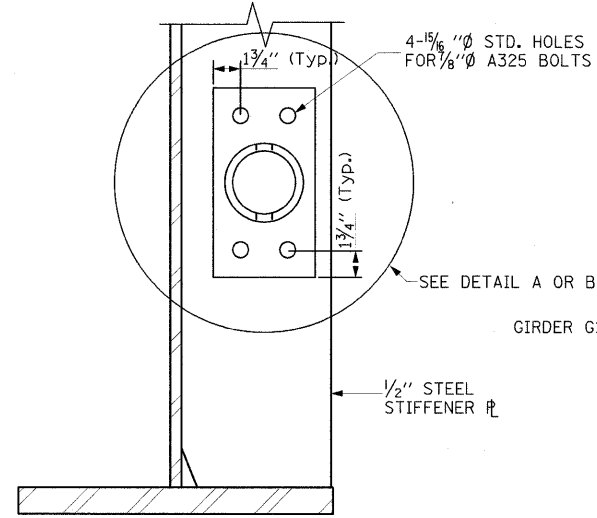


CONDUIT DETAIL

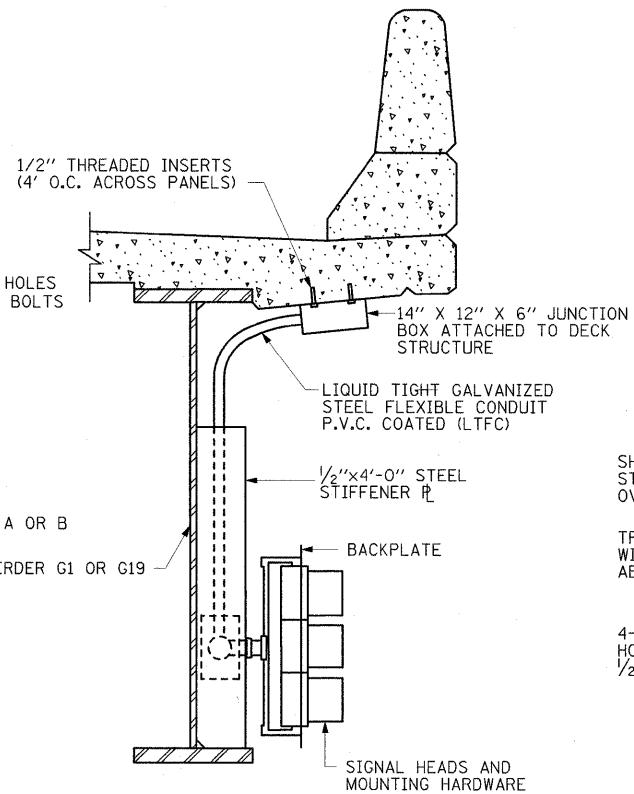


BRIDGE ELEVATION

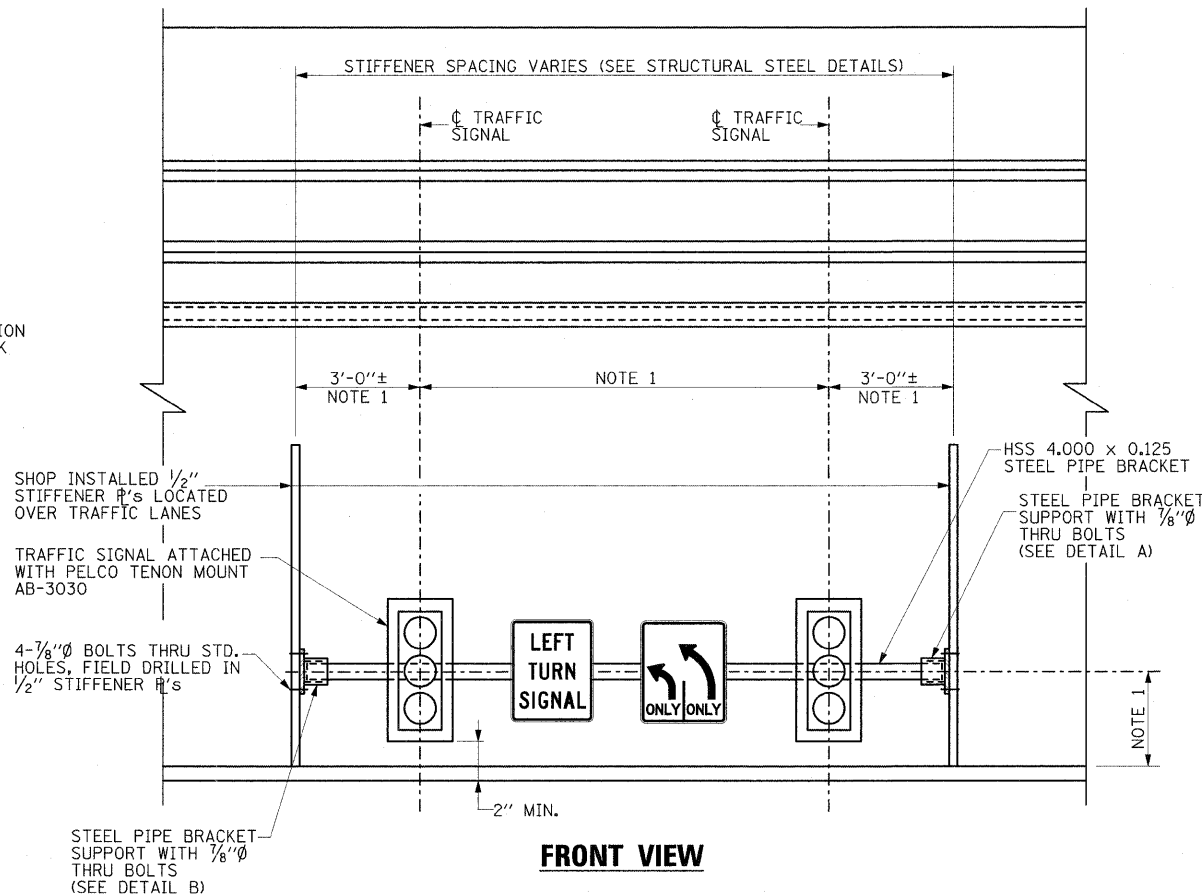


PIPE BRACKET SUPPORT

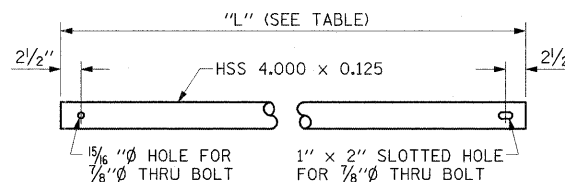
NOTE: FIELD DRILL HOLED IN DESIGNATED STIFFENERS FOR PIPE BRACKET SUPPORT



ELEVATION



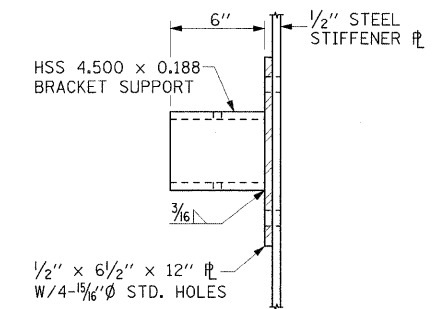
FRONT VIEW



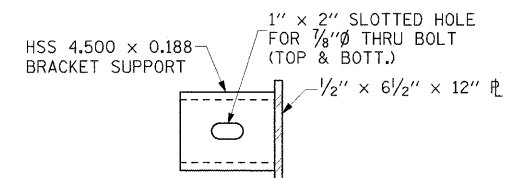
STEEL PIPE BRACKET DETAIL

LENGTH	# REQUIRED
5'-9 1/2"	2
17'-11 1/2"	2
18'-3 1/2"	2
18'-3 1/2"	1
23'-0 1/2"	1

PIPE LENGTH SCHEDULE, "L"

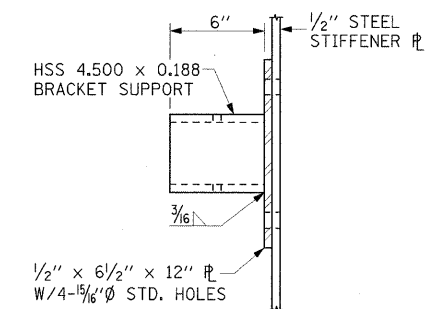


FRONT VIEW

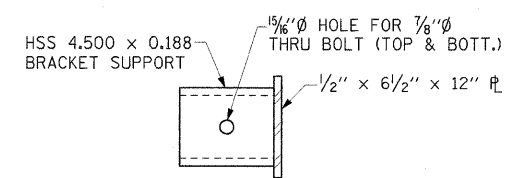


TOP VIEW

DETAIL A - SLOTTED HOLE SUPPORT
(14 REQUIRED)



FRONT VIEW



TOP VIEW

DETAIL B - STANDARD HOLE SUPPORT
(14 REQUIRED)

TRAFFIC SIGNAL HEAD EXTERIOR GIRDER CONNECTION DETAILS

NOTE: TWO HARDENED WASHERS SHALL BE REQUIRED OVER ALL OVERSIZED HOLES.

NOTES:

1. FINAL DIMENSIONS TO BE DETERMINED BY INSTALLER IN THE FIELD.

FILE NAME = ...ND978182-shr-ts004.dgn

USER NAME = Rob Heady	DESIGNED - BSE / BPD	REVISED -
PLOT SCALE = 25.0000' / IN.	DRAWN - BSE / GLD	REVISED -
PLOT DATE = 10/10/2011	CHECKED - SPH	REVISED -
	DATE - 10/07/11	REVISED -

**STATE OF ILLINOIS
DEPARTMENT OF TRANSPORTATION**

**TRAFFIC SIGNAL DETAILS
ILLINOIS ROUTE 13**

F.A. RTE.	SECTION	COUNTY	TOTAL SHEETS	SHEET NO.
* (X1-6-2)HBK-2, HB-1,2; (IX-1R)-1		WILLIAMSON	968	541
* F.A.I. 57 AND F.A.P. 331				CONTRACT NO. 78182

SCALE: N.T.S. SHEET NO. OF SHEETS STA. TO STA.

ILLINOIS FED. AID PROJECT