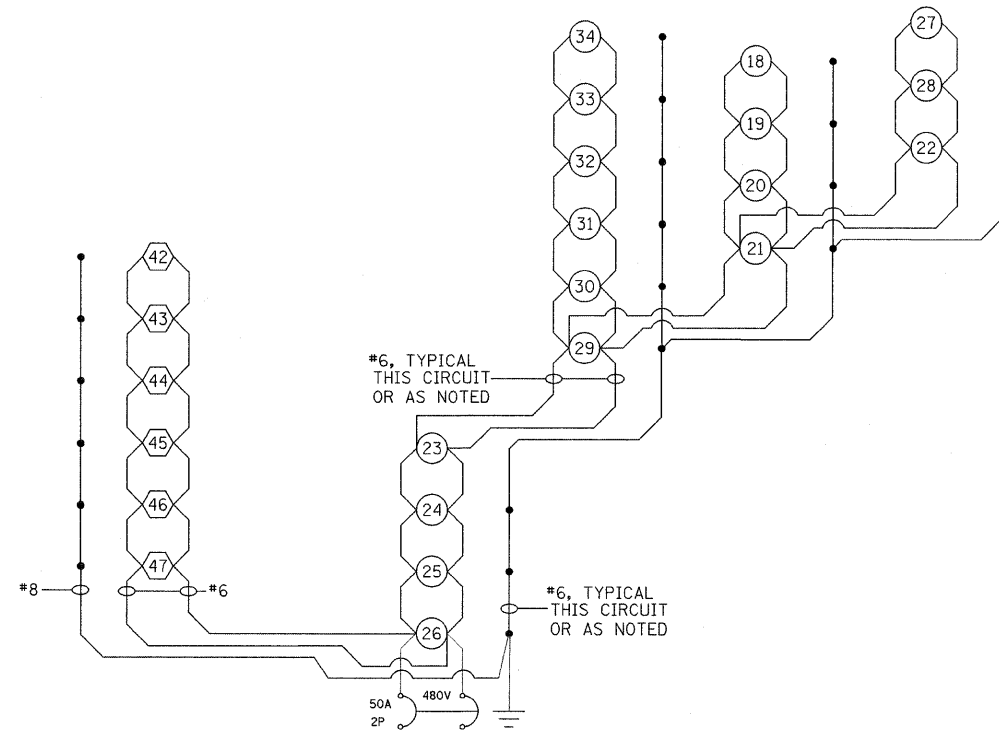


LIGHTING CKT 1  
PROPOSED LIGHTING CONTROLLER#1 BASE MOUNTED  
(NORTH SIDE OF MORGAN AVE.)



LIGHTING CKT 2  
EXISTING LIGHTING CONTROLLER (SOUTH SIDE OF MORGAN AVE.)

NOTES:

- ALL NECESSARY REVISIONS TO THE WIRING SHOWN ON THIS SHEET SHALL BE MADE AT NO ADDITIONAL COST TO THE DEPARTMENT AND TO THE SATISFACTION OF THE ENGINEER.

⬡ 400W PROPOSED LUMINAIRE

○ 250W PROPOSED LUMINAIRE

⊠ SIGN LIGHTING, NUMBER OF 150W LUMINAIRES AS INDICATED

□ JUNCTION BOX

**L32**

FILE NAME = ...D978182-sh1-T_light.dtl-L32.dgn	USER NAME = Gary Davis	DESIGNED - IDOT CENTRAL OFFICE	REVISED -	<b>STATE OF ILLINOIS DEPARTMENT OF TRANSPORTATION</b>	<b>WIRING DIAGRAM (MORGAN AVE. CONTROLLER) INTERSTATE 57</b>		F.A. RTE.	SECTION	COUNTY	TOTAL SHEETS	SHEET NO.
	PLOT SCALE = 1/8" = 1' IN.	DRAWN - GLD (CMT)	REVISED -				* 0X1-6-2H8K-2, HB-1,2; 0X-1R-1	WILLIAMSON	968	575	
	PLOT DATE = 10/17/2011	CHECKED -	REVISED -				* F.A.I. 57 AND F.A.P. 331	CONTRACT NO. 78182			
	DATE - 10/07/11	REVISED -		SCALE: N.T.S.	SHEET NO. L32 OF L42 SHEETS	STA. TO STA.	ILLINOIS FED. AID PROJECT				