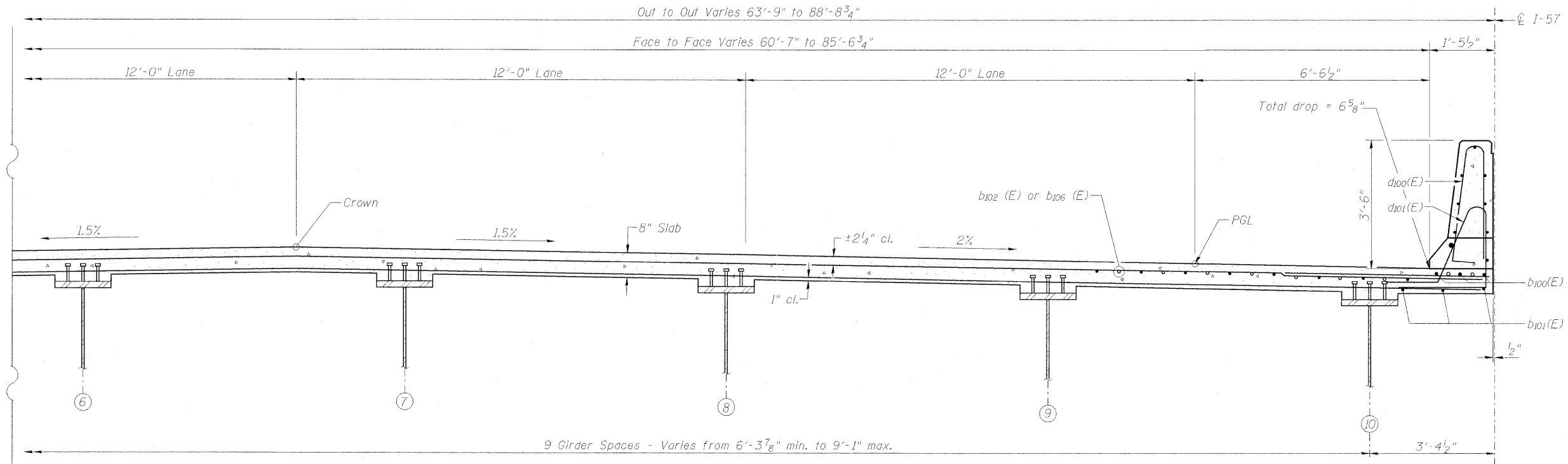


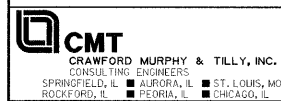
(NEAR MIDSPAN)

CROSS SECTION
(Looking South)



CROSS SECTION
(Looking South)

(NEAR PIER)



FILE NAME = ... \020.SUPERSTRUCTURE II.NB.dgn
 USER NAME = Rob Hesdy
 PLOT SCALE =
 PLOT DATE = 10/7/2011

DESIGNED - BPD	REVISIONS
CHECKED - WLB	REVISIONS
DRAWN - GLD	REVISIONS
CHECKED - BPD	REVISIONS

STATE OF ILLINOIS
DEPARTMENT OF TRANSPORTATION

SUPERSTRUCTURE II
STRUCTURE NO. 100-0088 (N.B.)

SHEET NO. 20 OF 75 SHEETS

F.A. RTE.	SECTION	COUNTY	TOTAL SHEETS	SHEET NO.
*	(X1-6-2)HBK-2	WILLIAMSON	968	605
* F.A.I. 57 AND F.A.P. 331 CONTRACT NO. 78182				
ILLINOIS FED. AID PROJECT				