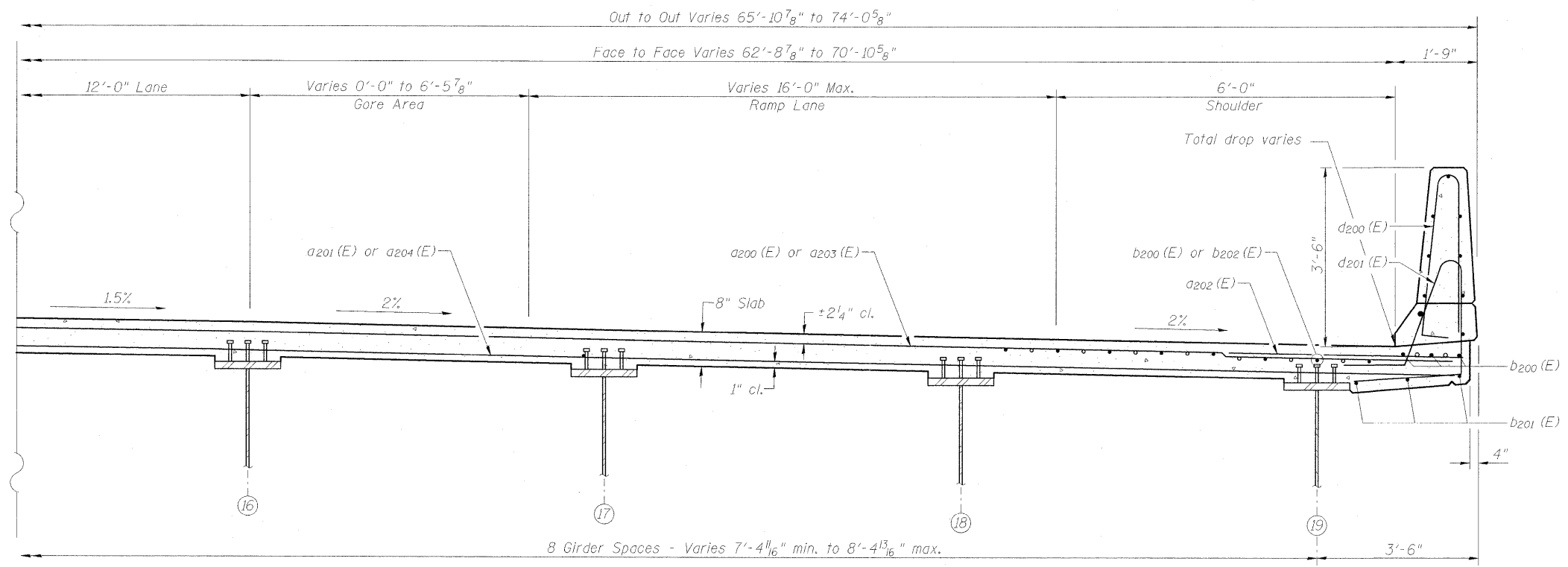


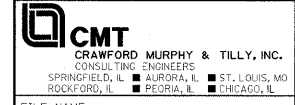
(NEAR MIDSPAN)

**CROSS SECTION**  
(Looking South)



(NEAR PIER)

**CROSS SECTION**  
(Looking South)



FTI E NAME = ... \022\_SUPERSTRUCTURE II.SB.dgn  
 USER NAME = Rob Heady  
 PLOT SCALE =  
 PLOT DATE = 10/7/2011

DESIGNED - BPD	REVISD -
CHECKED - WLB	REVISD -
DRAWN - GLD	REVISD -
CHECKED - BPD	REVISD -

**STATE OF ILLINOIS**  
**DEPARTMENT OF TRANSPORTATION**

**SUPERSTRUCTURE II**  
**STRUCTURE NO. 100-0089 (S.B.)**  
SHEET NO. 24 OF 75 SHEETS

F.A. RTE.	SECTION	COUNTY	TOTAL SHEETS	SHEET NO.
*	(X1-6-2)HBK-2	WILLIAMSON	968	609
* F.A.I. 57 AND F.A.P. 331			CONTRACT NO. 78182	
ILLINOIS FED. AID PROJECT				