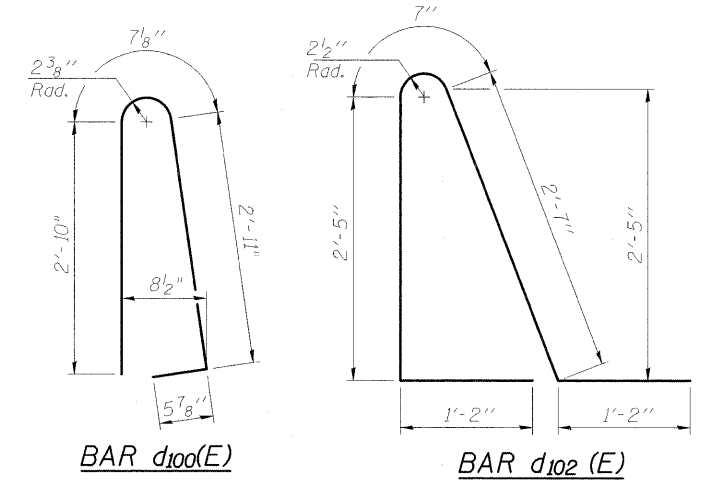
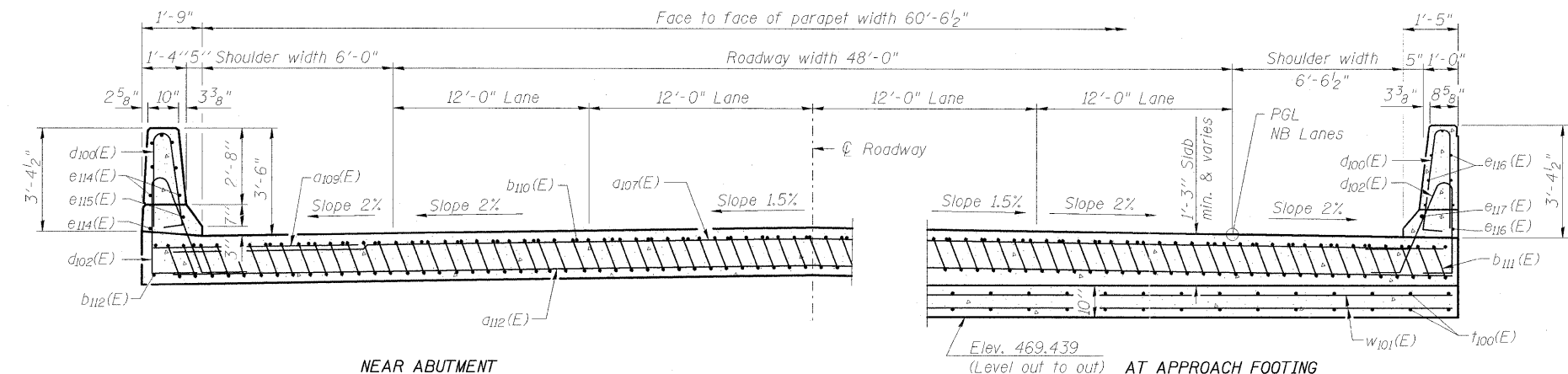


NOTES:

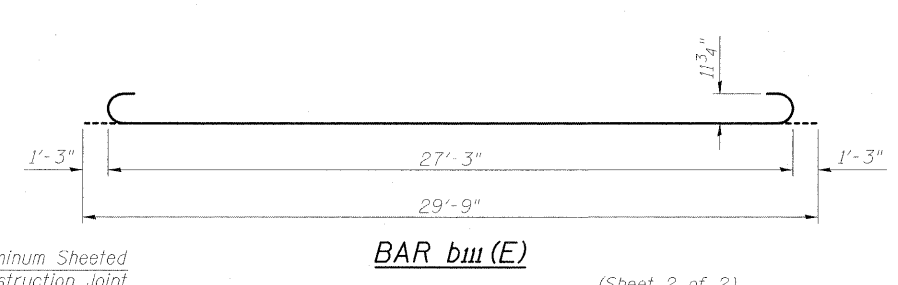
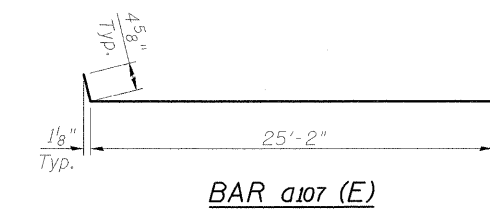
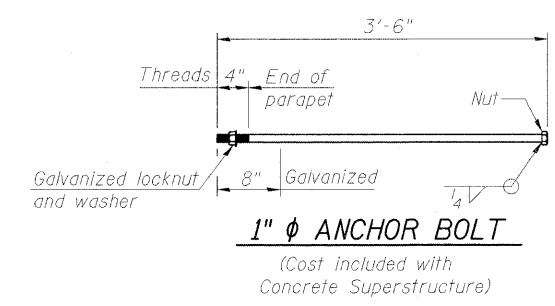
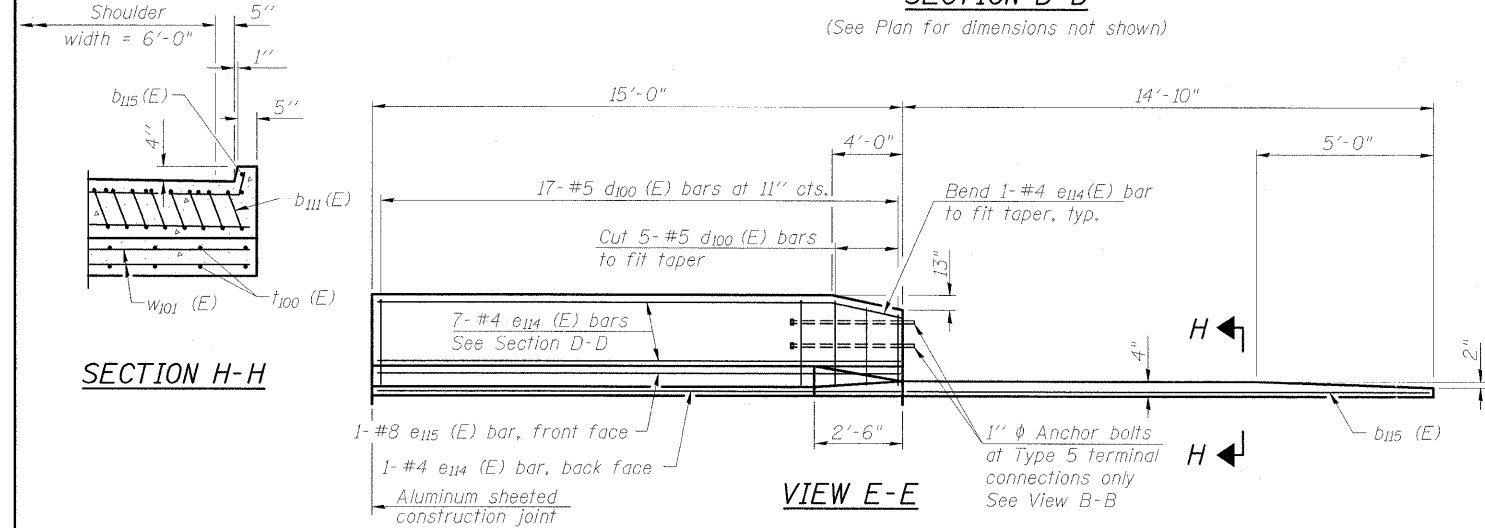
1. See sheet 35 of 75 for Detail A and View B-B.
2. Approach slab and parapet concrete shall be paid for as Concrete Superstructure.
3. Approach footing concrete shall be paid for as Concrete Structures.
4. Reinforcement shall be paid for as Reinforcement Bars, Epoxy Coated.
5. For $w_{145}(E)$ bar details, see sheet 21 of 75.
6. The approach footing maximum applied service bearing pressure (Q_{max}) = 2.0 ksf.
7. For bar splicer details, see sheet 65 of 75.
8. Cost of excavation for approach footing included with Concrete Structures.
9. For Porous Granular Embankment (Special) and drainage treatment details, see sheet 2 of 75.
10. For additional parapet details, see sheet 22 of 75.



* Tilt #9 $b_{111}(E)$ bars as required to maintain clearance.
 *** Cost included with Concrete Superstructure.

SECTION D-D

(See Plan for dimensions not shown)



BILL OF MATERIAL

Bar	No.	Size	Length	Shape
$a_{113}(E)$	50	#4	25'-7"	—
$a_{105}(E)$	36	#6	6'-6"	—
$a_{111}(E)$	25	#4	20'-8"	—
$a_{112}(E)$	138	#5	24'-1"	—
$b_{110}(E)$	51	#4	29'-8"	—
$b_{111}(E)$	151	#9	29'-9"	—
$b_{112}(E)$	1	#4	14'-8"	—
$b_{115}(E)$	1	#4	14'-6"	—
$d_{100}(E)$	50	#5	6'-10"	—
$d_{102}(E)$	50	#5	7'-11"	—
$e_{114}(E)$	8	#4	14'-8"	—
$e_{115}(E)$	1	#8	14'-8"	—
$e_{116}(E)$	8	#4	29'-8"	—
$e_{117}(E)$	1	#8	29'-8"	—
$t_{100}(E)$	126	#4	10'-2"	—
$w_{101}(E)$	120	#5	24'-1"	—
Structure Excavation		Cu. Yd.	29	
Concrete Structures		Cu. Yd.	20.4	
Concrete Superstructure		Cu. Yd.	100.9	
Bridge Deck Grooving		Sq. Yd.	195	
Protective Coat		Sq. Yd.	226	
Reinforcement Bars, Epoxy Coated		Pound	26,320	
Staining Concrete Structure		Sq. Yd.	6	



FILE NAME = ... \029.50 BR APP SLAB DTL5-11-NB.dgn
 USER NAME = Rob Heady
 PLOT SCALE =
 PLOT DATE = 10/11/2011

DESIGNED - BPD
 CHECKED - WLB
 DRAWN - GLD
 CHECKED - BPD

REVISED -
 REVISED -
 REVISED -
 REVISED -

STATE OF ILLINOIS
 DEPARTMENT OF TRANSPORTATION

SOUTH BRIDGE APPROACH SLAB DETAILS
 STRUCTURE NO. 100-0088 (N.B.)

SHEET NO. 36 OF 75 SHEETS

F.A. RTE.	SECTION	COUNTY	TOTAL SHEETS	SHEET NO.
*	(X1-6-2)HBK-2	WILLIAMSON	968	621
* F.A.I. 57 AND F.A.P. 331			CONTRACT NO. 78182	
ILLINOIS FED. AID PROJECT				

(Sheet 2 of 2)