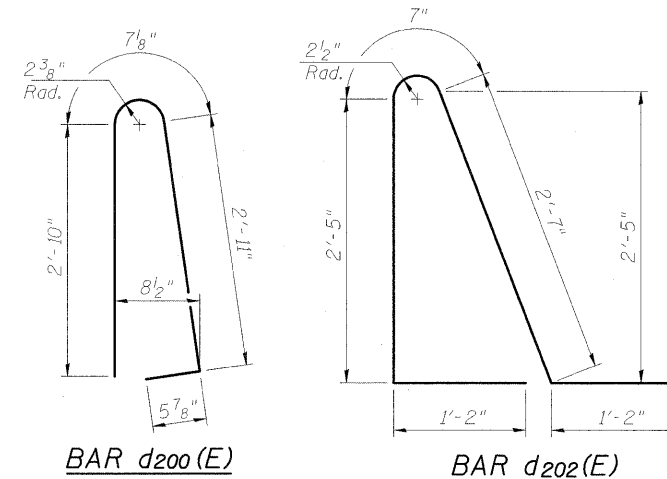


SECTION C-C

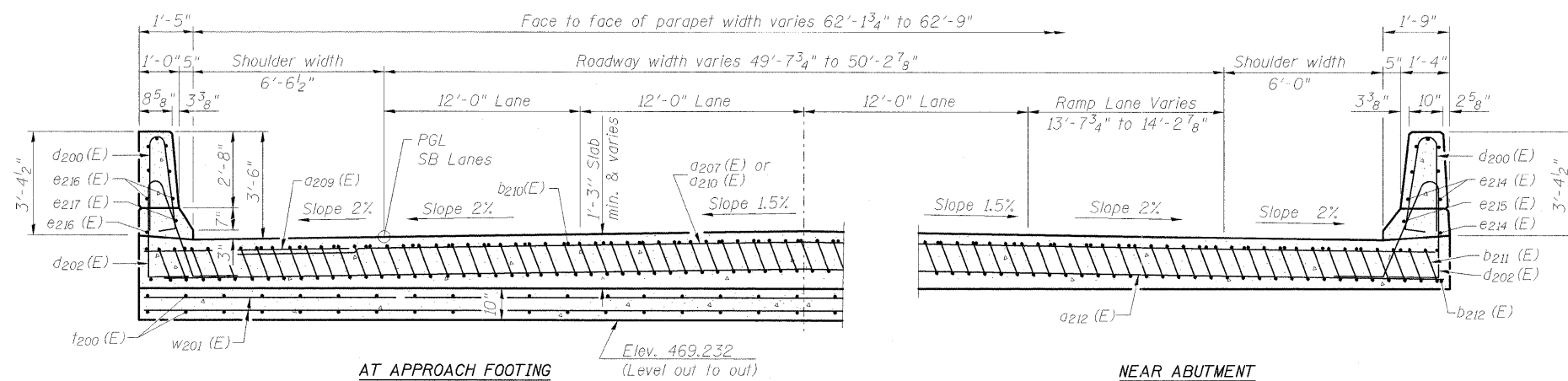
NOTES:

1. See sheet 40 of 75 for Detail A and View B-B.
2. Approach slab and parapet concrete shall be paid for as Concrete Superstructure.
3. Approach footing concrete shall be paid for as Concrete Structures.
4. Reinforcement shall be paid for as Reinforcement Bars, Epoxy Coated.
5. For v245 (E) bar details, see sheet 25 of 75.
6. The approach footing maximum applied service bearing pressure (Qmax) = 2.0 ksf.
7. For bar splicer details, see sheet 65 of 75.
8. Cost of excavation for approach footing included with Concrete Structures.
9. For Porous Granular Embankment (Special) and drainage treatment details, see sheet 2 of 75.
10. For additional parapet details, see sheet 26 of 75.



BAR d200(E)

BAR d202(E)



AT APPROACH FOOTING

NEAR ABUTMENT

SECTION D-D

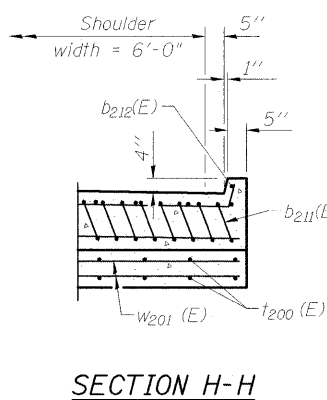
(See Plan for dimensions not shown)

* Tilt #9 b211 (E) bars as required to maintain clearance.

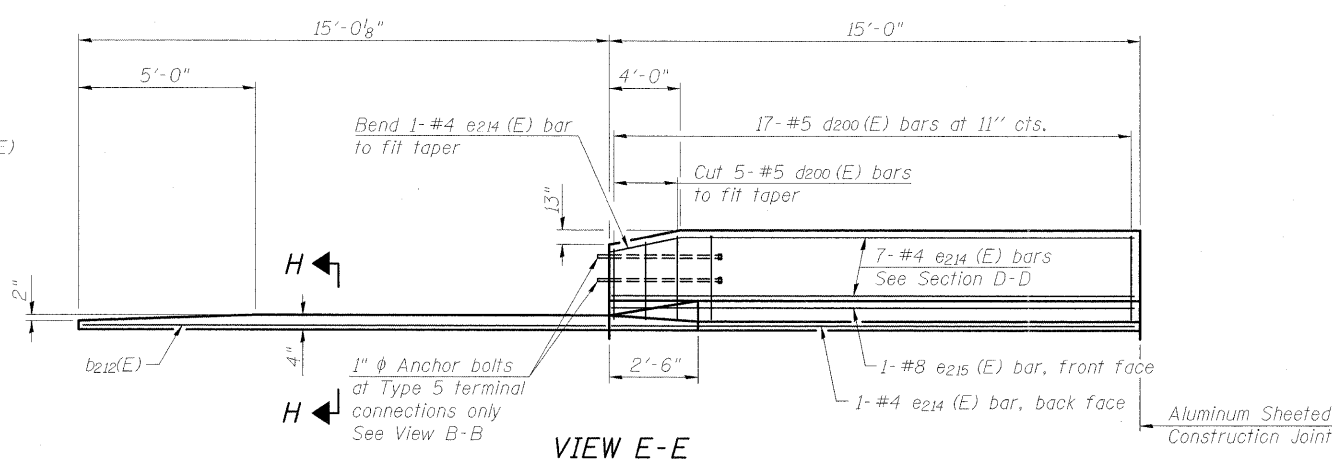
*** Cost included with Concrete Superstructure.

BILL OF MATERIAL

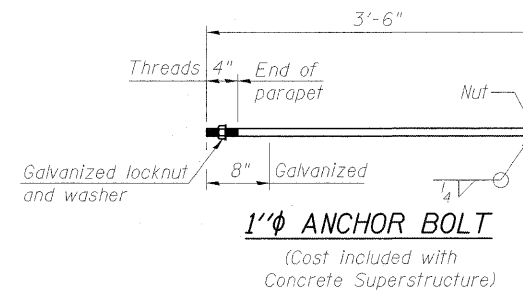
Bar	No.	Size	Length	Shape
a207(E)	50	#4	26'-8"	—
a209(E)	36	#6	6'-6"	—
a211(E)	25	#4	20'-8"	—
a212(E)	138	#5	24'-10"	—
b210(E)	52	#4	29'-8"	—
b211(E)	156	#9	29'-9"	—
b212(E)	2	#4	14'-8"	—
d200(E)	50	#5	6'-10"	—
d202(E)	50	#5	7'-11"	—
e214(E)	8	#4	14'-8"	—
e215(E)	1	#8	14'-8"	—
e216(E)	8	#4	29'-8"	—
e217(E)	1	#8	29'-8"	—
t200(E)	130	#4	10'-2"	—
w201(E)	120	#5	24'-1"	—
Structure Excavation		Cu. Yd.	30	
Concrete Structures		Cu. Yd.	20.9	
Concrete Superstructure		Cu. Yd.	103.2	
Bridge Deck Grooving		Sq. Yd.	202	
Protective Coat		Sq. Yd.	232	
Reinforcement Bars, Epoxy Coated		Pound	27,090	
Staining Concrete Structure		Sq. Yd.	6	



SECTION H-H

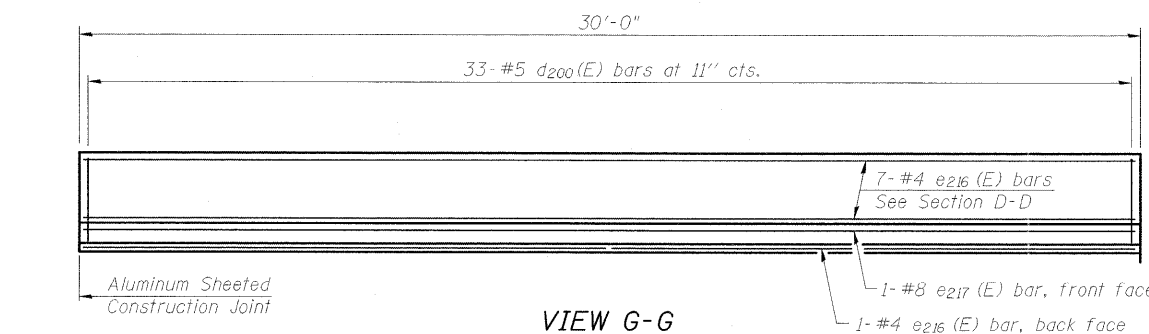


VIEW E-E

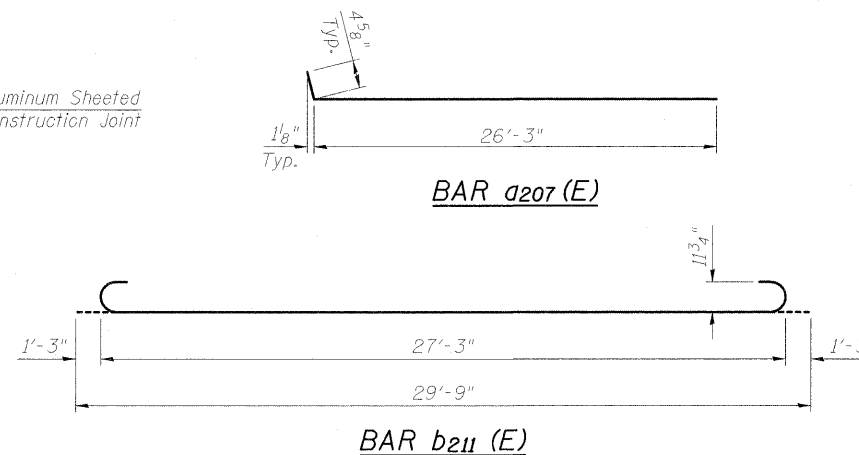


1"φ ANCHOR BOLT

(Cost included with Concrete Superstructure)



VIEW G-G



BAR a207(E)

BAR b211(E)

(Sheet 2 of 2)

CMT
CRAWFORD MURPHY & TILLY, INC.
CONSULTING ENGINEERS
SPRINGFIELD, IL ■ AURORA, IL ■ ST. LOUIS, MO
ROCKFORD, IL ■ PEORIA, IL ■ CHICAGO, IL

FILE NAME = ...V032.SD BR APP SLAB DTLS-I1-SB.dgn
USER NAME = Rob Heady
PLOT SCALE =
PLOT DATE = 10/7/2011

DESIGNED - BPD
CHECKED - WLB
DRAWN - GLD
CHECKED - BPD

REVISED -
REVISED -
REVISED -
REVISED -

STATE OF ILLINOIS
DEPARTMENT OF TRANSPORTATION

SOUTH BRIDGE APPROACH SLAB DETAILS
STRUCTURE NO. 100-0089 (S.B.)
SHEET NO. 40 OF 75 SHEETS

F.A. RTE. SECTION COUNTY TOTAL SHEETS SHEET NO.
* (X1-6-2)HBK-2 WILLIAMSON 968 625
* F.A.I. 57 AND F.A.P. 331 CONTRACT NO. 78182
ILLINOIS FED. AID PROJECT

ILLINOIS FED. AID PROJECT