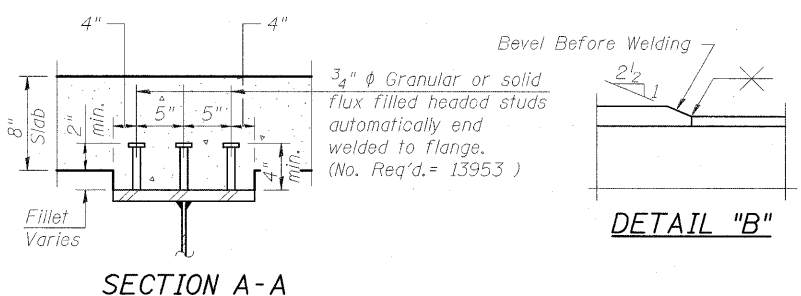


- Notes:**
1. Load carrying components designated "NTR" shall conform to the Supplemental Requirements for Notch Toughness, Zone 2.
  2. For Framing Plan, see Sheet 41 of 75.
  3. Spacing for 1/2" x 8 1/2", full height stiffener plates for traffic signal mounting system, East face of girder 1 only.
  4. See Sheet 541 of 968 for details of traffic signal mounting system.

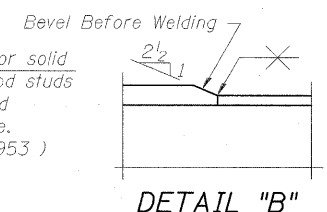
**GIRDER ELEVATION**  
 "NTR" denotes plates to which notch toughness requirements are applicable.

**GIRDER DIMENSION TABLE**

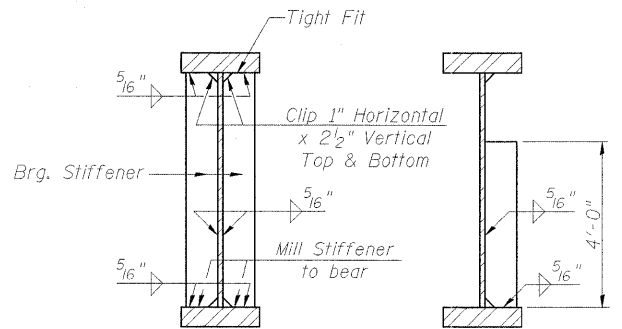
	A	B	C	D	E	F	G	H	I	J	K	L	M	N
Girder 1	417'-2 1/4"	101'-3 7/8"	214'-6 5/8"	40'-10 3/8"	29'-11 3/8"	56'-2 3/8"	42'-1 7/8"	2'-11"	1'-4 7/16"	147	98'-0"	6 3/16"	14'-11 1/16"	28'-1 3/16"
Girder 2	416'-1 5/8"	101'-0 7/8"	214'-0"	40'-9 1/4"	29'-9 3/4"	56'-0 5/8"	41'-10 3/4"	2'-7 1/2"	1'-3 3/8"	146	97'-4"	4 5/8"	14'-10 7/8"	28'-0 5/16"
Girder 3	415'-1 1/4"	100'-9 7/8"	213'-5 5/8"	40'-7 7/8"	29'-7 7/8"	55'-10 7/8"	41'-7 3/4"	2'-4"	1'-2"	146	97'-4"	7 7/8"	14'-9 9/16"	27'-11 7/16"
Girder 4	414'-1 1/8"	100'-6 7/8"	212'-11 3/8"	40'-6 3/4"	29'-6 1/4"	55'-9 3/8"	41'-4 3/4"	2'-0 3/4"	1'-0 3/4"	145	98'-0"	5 5/8"	14'-9 1/8"	27'-10 1/16"
Girder 5	413'-1 1/8"	100'-4"	212'-5 1/4"	40'-5 1/2"	29'-4 1/2"	55'-7 5/8"	41'-1 7/8"	1'-9 3/8"	11 1/2"	145	96'-8"	8 3/16"	14'-8 1/4"	27'-9 9/16"
Girder 6	412'-1 3/8"	100'-1 1/4"	211'-11 1/4"	40'-4 3/8"	29'-2 5/8"	55'-6 1/4"	40'-11"	1'-6"	10 1/16"	145	96'-8"	6 3/4"	14'-7 5/16"	27'-9 9/16"
Girder 7	411'-1 3/4"	99'-10 3/8"	211'-5 1/4"	40'-3 1/4"	29'-1 1/4"	55'-4 1/2"	40'-8 1/4"	1'-3"	9 1/4"	145	96'-8"	5 3/8"	14'-6 5/8"	27'-8 1/4"
Girder 8	410'-2 1/2"	99'-7 1/2"	210'-11 3/8"	40'-2 1/4"	28'-11 3/8"	55'-3"	40'-5 3/8"	11 5/8"	8 1/8"	144	96'-0"	7 15/16"	14'-5 1/16"	27'-7 2"
Girder 9	409'-3 3/8"	99'-4 7/8"	210'-5 1/2"	40'-1 1/4"	28'-9 7/8"	55'-1 3/8"	40'-2 5/8"	8 1/2"	7"	144	96'-0"	6 9/16"	14'-4 5/16"	27'-6 11/16"
Girder 10	408'-7 1/2"	99'-2 1/4"	210'-0"	40'-0"	28'-8 1/4"	55'-0"	40'-0"	5 1/2"	6"	144	96'-0"	5 1/4"	14'-4 1/8"	27'-6"



**SECTION A-A**

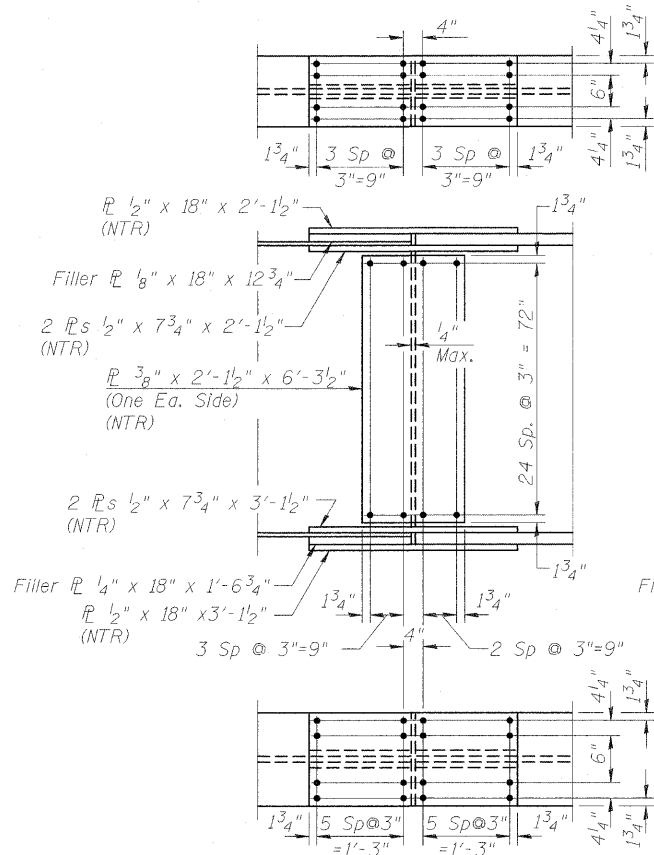


**DETAIL "B"**

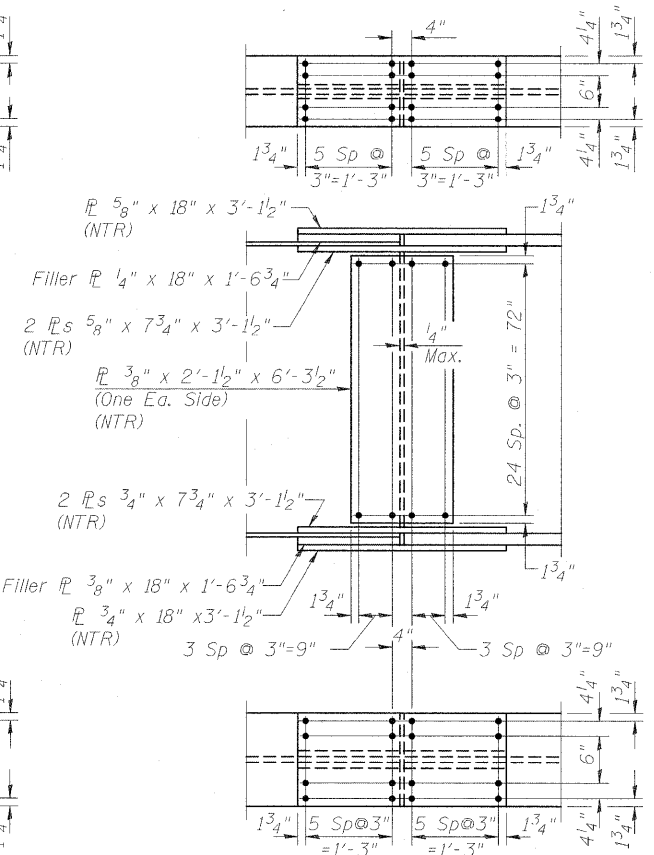


**SECTION AT PIER**

**SECTION AT TRAFFIC SIGNAL MOUNTING SYSTEM STIFFENER**



**FIELD SPLICE 1 & 4 DETAIL**



**FIELD SPLICE 2 & 3 DETAIL**



FILE NAME = ...V835_STRUCT STEEL DETAILS_NB.dgn	USER NAME = Gary Davis	DESIGNED = BPD	REVISED =
		CHECKED = WLB	REVISED =
		DRAWN = GLD	REVISED =
		CHECKED = BPD	REVISED =
PLOT SCALE =			
PLOT DATE = 12/14/2011			

**STATE OF ILLINOIS**  
**DEPARTMENT OF TRANSPORTATION**

**STRUCTURAL STEEL DETAILS**  
**STRUCTURE NO. 100-0088 (N.B.)**  
 SHEET NO. 43 OF 75 SHEETS

F.A. RTE.	SECTION	COUNTY	TOTAL SHEETS	SHEET NO.
*	KX1-6-2HBK-2	WILLIAMSON	968	628
* F.A.I. 57 AND F.A.P. 331			CONTRACT NO. 78182	
ILLINOIS FED. AID PROJECT				