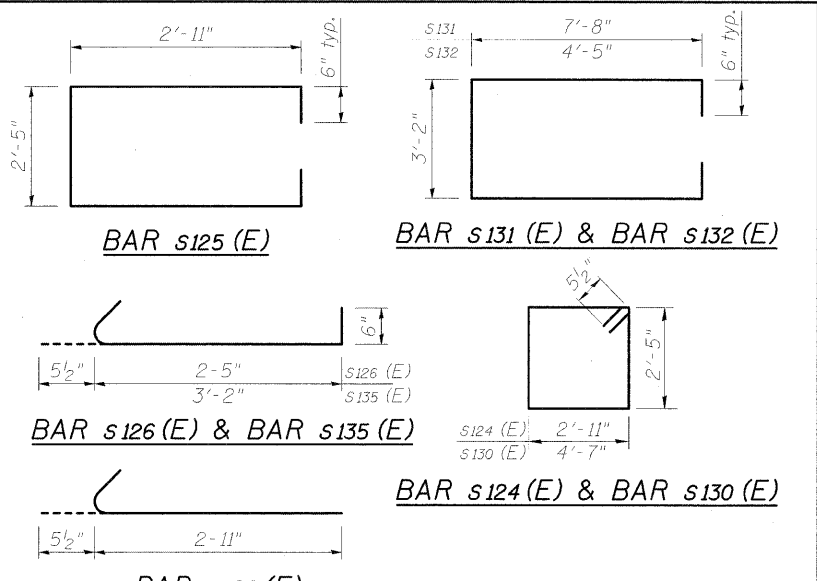
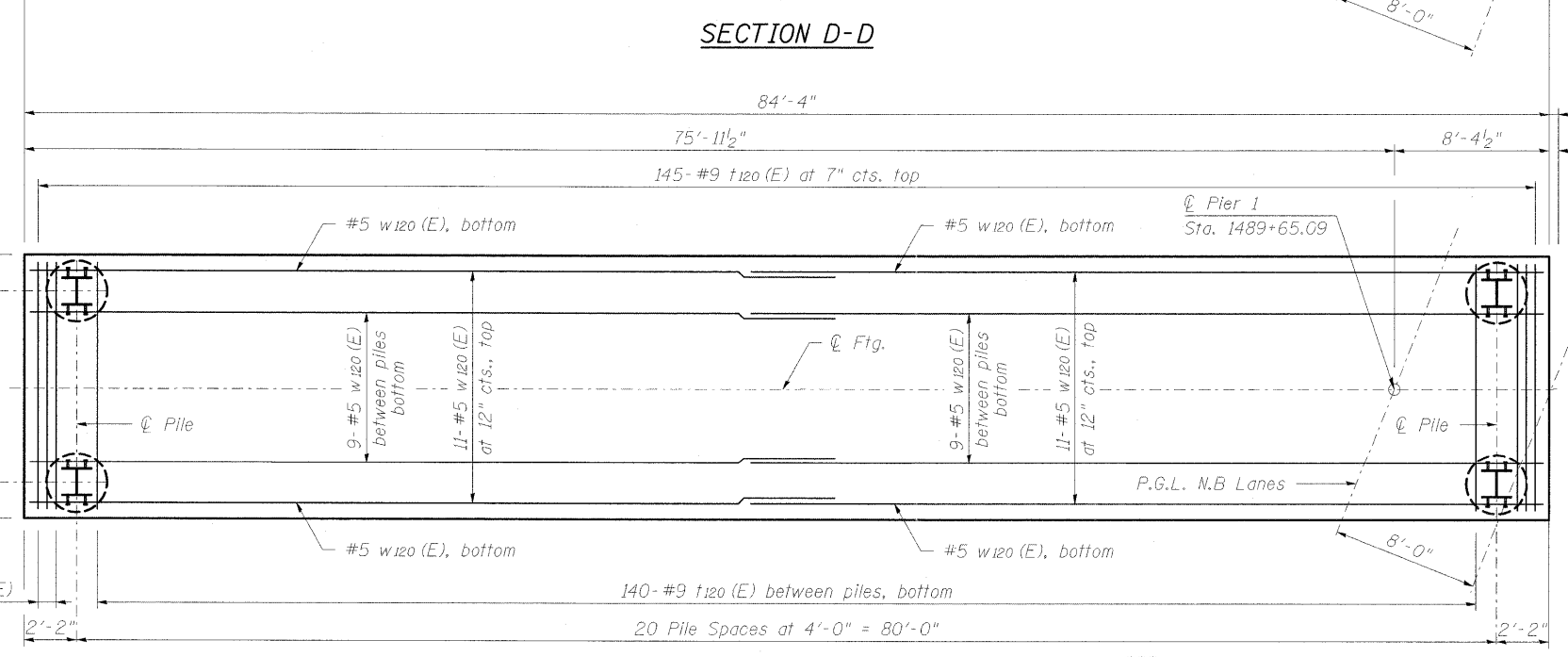
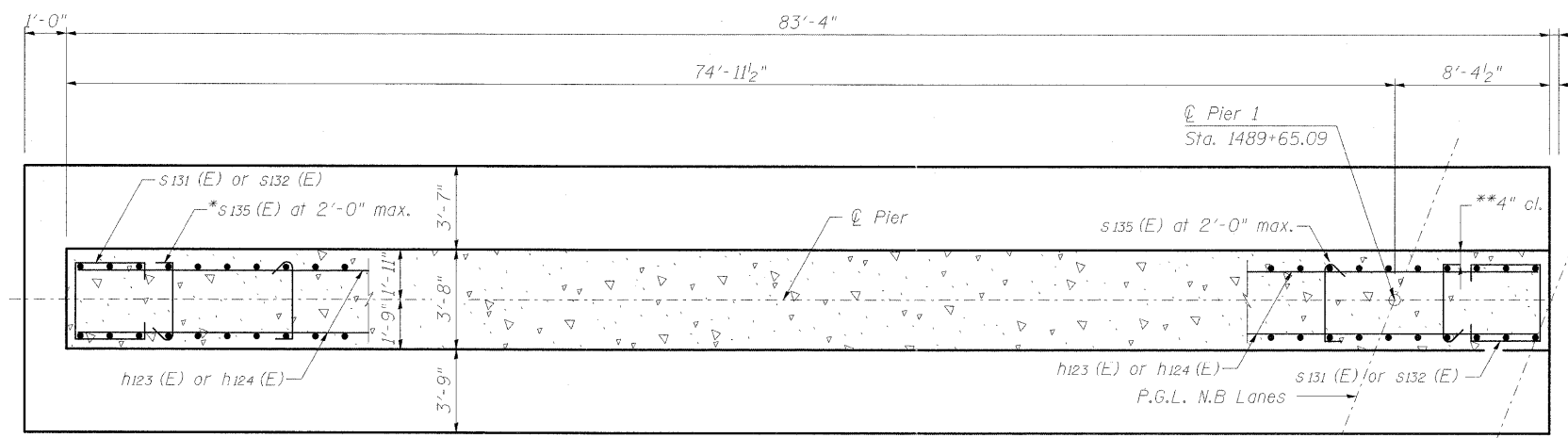


A & B DIMENSIONS

| Bar | A | B |
|----------|-------|--------|
| s120 (E) | 3'-2" | 1'-1" |
| s121 (E) | 2'-0" | 2'-11" |
| s133 (E) | 3'-2" | 6'-3" |
| s134 (E) | 3'-2" | 7'-6" |
| u120 (E) | 3'-2" | 1'-5" |



* Alternate ends at each level.
 ** 2" additional concrete for Form Liner.

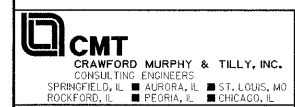


BILL OF MATERIAL

| Bar | No. | Size | Length | Shape |
|----------------------------------|-----|---------|---------|-------|
| h120 (E) | 12 | #5 | 45'-0" | |
| h121 (E) | 8 | #5 | 36'-8" | |
| h122 (E) | 4 | #5 | 35'-1" | |
| h123 (E) | 20 | #8 | 45'-5" | |
| h124 (E) | 20 | #6 | 43'-10" | |
| p120 (E) | 12 | #9 | 48'-0" | |
| p121 (E) | 18 | #9 | 46'-4" | |
| p122 (E) | 9 | #9 | 3'-4" | |
| s120 (E) | 106 | #4 | 5'-4" | |
| s121 (E) | 28 | #6 | 7'-10" | |
| s122 (E) | 51 | #6 | 15'-6" | |
| s123 (E) | 140 | #6 | 13'-2" | |
| s124 (E) | 36 | #5 | 11'-7" | |
| s125 (E) | 336 | #5 | 9'-3" | |
| s126 (E) | 504 | #5 | 3'-5" | |
| s127 (E) | 336 | #5 | 3'-5" | |
| s128 (E) | 336 | #5 | 3'-5" | |
| s129 (E) | 168 | #5 | 8'-3" | |
| s130 (E) | 48 | #5 | 14'-11" | |
| s131 (E) | 4 | #8 | 19'-6" | |
| s132 (E) | 10 | #6 | 13'-0" | |
| s133 (E) | 167 | #7 | 15'-8" | |
| s134 (E) | 167 | #7 | 18'-2" | |
| s135 (E) | 205 | #5 | 4'-2" | |
| t120 (E) | 291 | #9 | 10'-8" | |
| u120 (E) | 8 | #6 | 12'-0" | |
| v120 (E) | 144 | #9 | 17'-9" | |
| w120 (E) | 44 | #5 | 43'-11" | |
| Structure Excavation | | Cu. Yd. | 888 | |
| Concrete Structures | | Cu. Yd. | 274.6 | |
| Concrete Encasement | | Cu. Yd. | 23.0 | |
| Form Liner | | Sq. Ft. | 164 | |
| Textured Surface | | Sq. Ft. | 164 | |
| Reinforcement Bars, Epoxy Coated | | Pound | 58630 | |
| Furnishing Steel Piles HP14x89 | | Foot | 1176 | |
| Driving Piles | | Foot | 1176 | |
| Test Pile | | Each | 0 | |
| Steel HP14x89 | | Each | 0 | |
| Concrete Sealer | | Sq. Ft. | 3186 | |
| Staining Concrete Structures | | Sq. Yd. | 354 | |
| Concrete Stain | | Sq. Yd. | 19 | |

MIN. BAR LAP
 #5 Bar = 3'-8"

*** 1" P.J.F. between structures.
 Cost included in Concrete Structures.



FILE NAME = ...1-57\048.PIER DETAILS.1.dgn
 USER NAME = Rob Heady
 PLOT SCALE =
 PLOT DATE = 10/7/2011

| | |
|----------------|-------------|
| DESIGNED - JDJ | REVISIONS - |
| CHECKED - REB | REVISIONS - |
| DRAWN - GLD | REVISIONS - |
| CHECKED - REB | REVISIONS - |

STATE OF ILLINOIS
DEPARTMENT OF TRANSPORTATION

PIER 1 DETAILS
STRUCTURE NO. 100-0088 (N.B.)
 SHEET NO. 54 OF 75 SHEETS

| F.A.I. RTE. | SECTION | COUNTY | TOTAL SHEETS | SHEET NO. |
|-------------|---------------|------------|--------------|-----------|
| 57 | (X1-6-2)HBK-2 | WILLIAMSON | 968 | 639 |

CONTRACT NO. 78182
 ILLINOIS FED. AID PROJECT