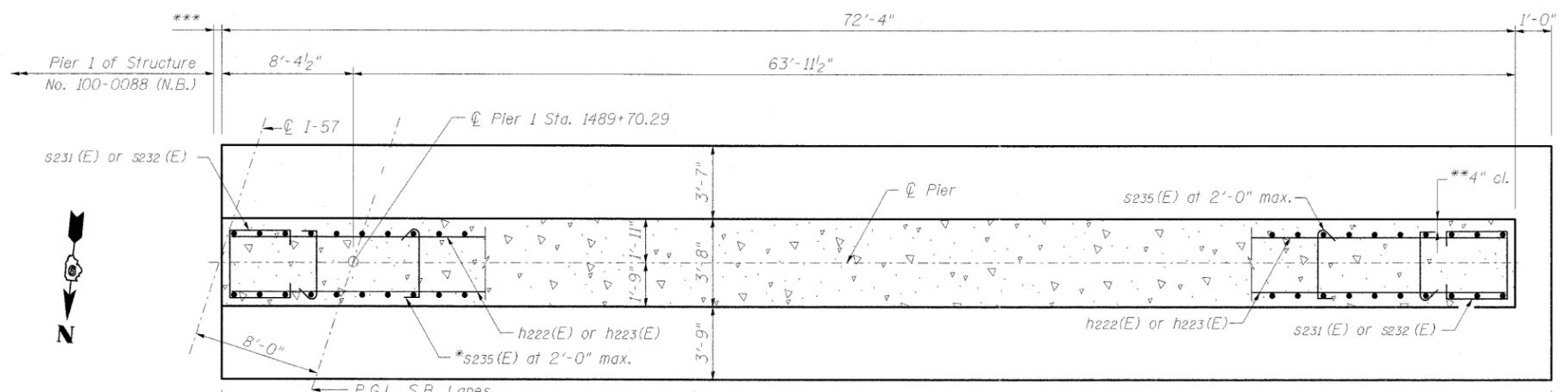


SECTION A-A

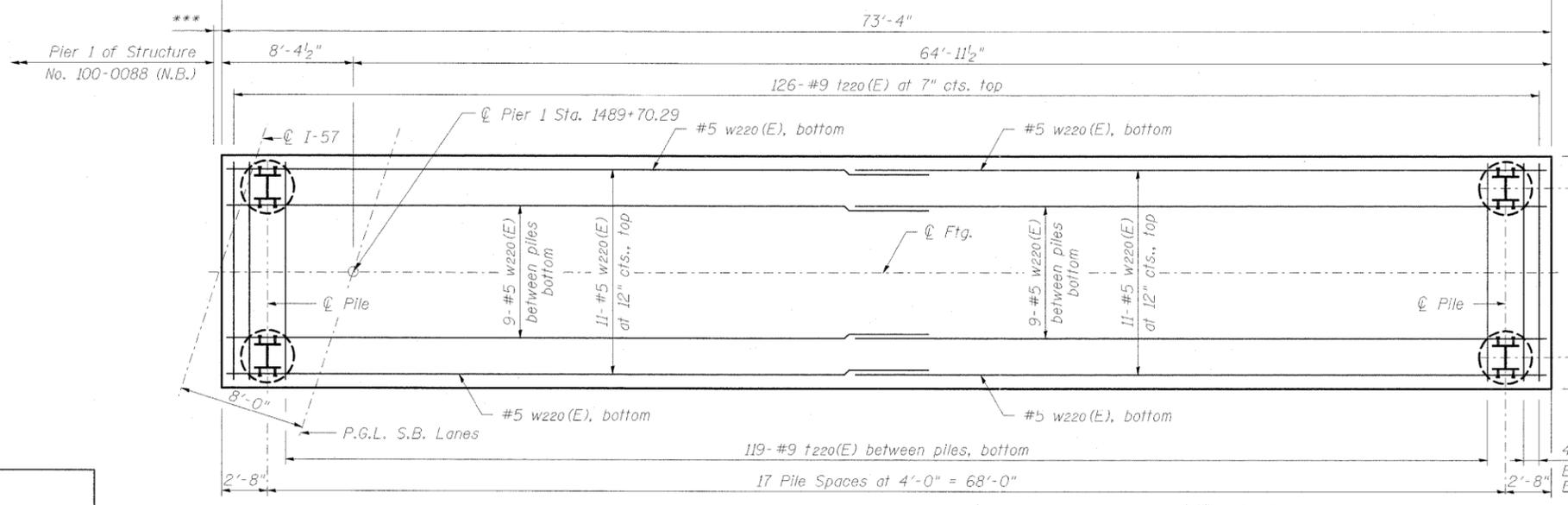
SECTION B-B

SECTION C-C

* Alternate ends at each level.
 ** 2" additional concrete for Form Liner.



SECTION D-D

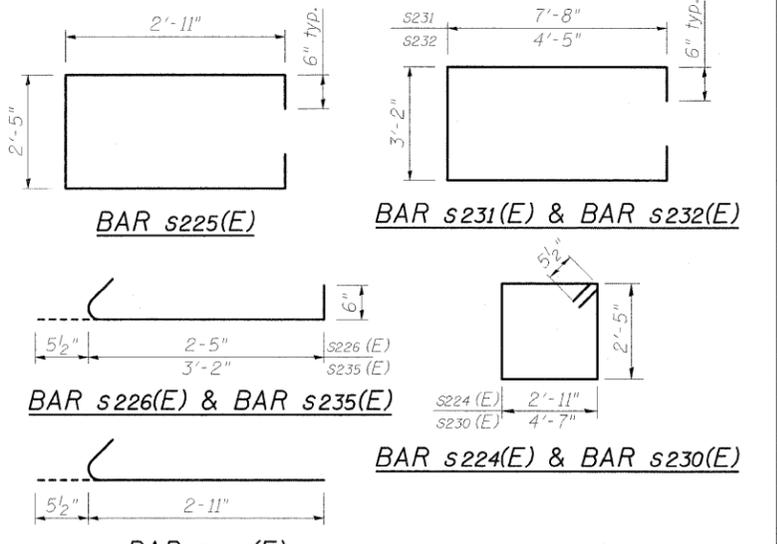


FOOTING PLAN

*** 1" P.J.F. between structures.
 Cost included in Concrete Structures.

BARS (E)

Bar	A	B
s220(E)	3'-2"	1'-1"
s223(E)	2'-0"	3'-2"
s233(E)	3'-2"	6'-3"
s234(E)	3'-2"	7'-6"
u220(E)	3'-2"	4'-5"



BILL OF MATERIAL

Bar	No.	Size	Length	Shape
h220(E)	12	#5	39'-6"	
h221(E)	4	#5	42'-6"	
h222(E)	20	#6	38'-3"	
h223(E)	20	#8	39'-11"	
D220(E)	12	#9	42'-6"	
D221(E)	18	#9	40'-10"	
D222(E)	9	#9	3'-4"	
s220(E)	43	#4	5'-4"	
s221(E)	74	#6	13'-8"	
s222(E)	71	#6	16'-0"	
s223(E)	28	#6	8'-4"	
s224(E)	30	#5	11'-7"	
s225(E)	280	#5	9'-3"	
s226(E)	420	#5	3'-5"	
s227(E)	280	#5	3'-5"	
s228(E)	280	#5	3'-5"	
s229(E)	140	#5	8'-3"	
s230(E)	40	#5	14'-11"	
s231(E)	4	#8	19'-6"	
s232(E)	10	#6	13'-0"	
s233(E)	145	#7	15'-8"	
s234(E)	145	#7	18'-2"	
s235(E)	180	#5	4'-2"	
t220(E)	253	#9	10'-8"	
u220(E)	8	#6	12'-0"	
v220(E)	120	#9	17'-9"	
w220(E)	44	#5	38'-5"	
Structure Excavation		Cu. Yd.	1110	
Concrete Structures		Cu. Yd.	239.1	
Concrete Encasement		Cu. Yd.	19.7	
Form Liner		Sq. Ft.	127	
Reinforcement Bars, Epoxy Coated		Pound	49940	
Furnishing Steel Piles HP14x89		Foot	1008	
Driving Piles		Foot	1008	
Test Pile		Each	0	
Steel HP14x89		Sq. Ft.	2771	
Concrete Sealer		Sq. Yd.	308	
Concrete Stain		Sq. Yd.	15	

BAR s221(E) & BAR s222(E)

BAR v220(E)

BAR s229(E)

MIN. BAR LAP
 #5 Bar = 3'-8"



FILE NAME = ...11-57-049a_PIER DETAILS.1.dgn
 USER NAME = Rob Heady
 PLOT SCALE =
 PLOT DATE = 10/7/2011

DESIGNED - JDJ
 CHECKED - REB
 DRAWN - GLD
 CHECKED - REB

REVISED -
 REVISED -
 REVISED -
 REVISED -

STATE OF ILLINOIS
 DEPARTMENT OF TRANSPORTATION

PIER 1 DETAILS
 STRUCTURE NO. 100-0089 (S.B.)
 SHEET NO. 58 OF 75 SHEETS

F.A.I. RTE. 57 SECTION (X1-6-2)HBK-2 COUNTY WILLIAMSON TOTAL SHEETS 968 SHEET NO. 643 CONTRACT NO. 78182 ILLINOIS FED. AID PROJECT