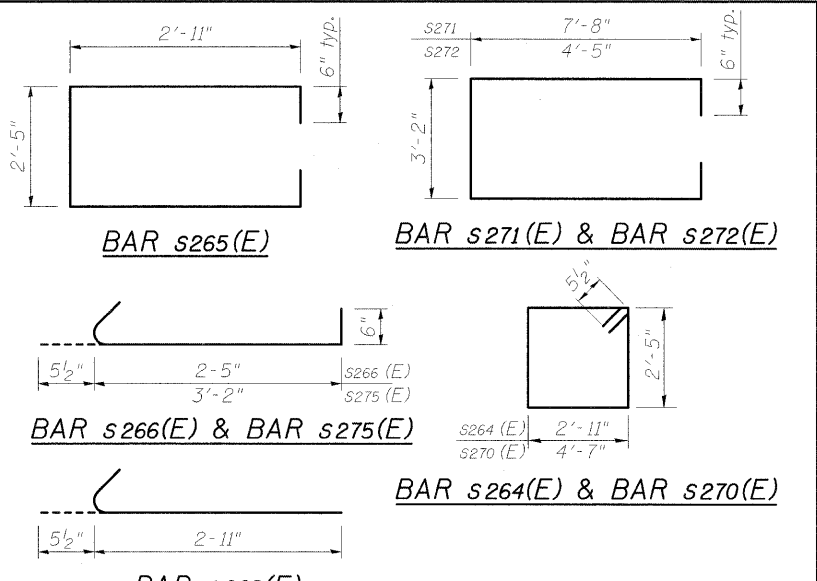


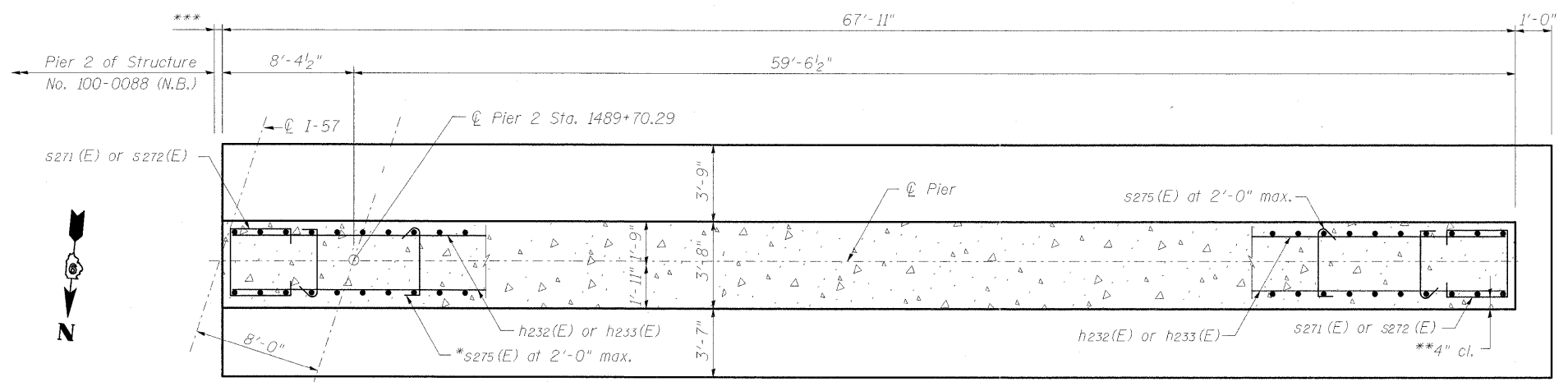
A & B DIMENSIONS

Bar	A	B
s260(E)	3'-2"	1'-1"
s263(E)	3'-2"	3'-0"
s273(E)	3'-2"	5'-9"
s274(E)	3'-2"	7'-6"
u230(E)	3'-2"	4'-5"

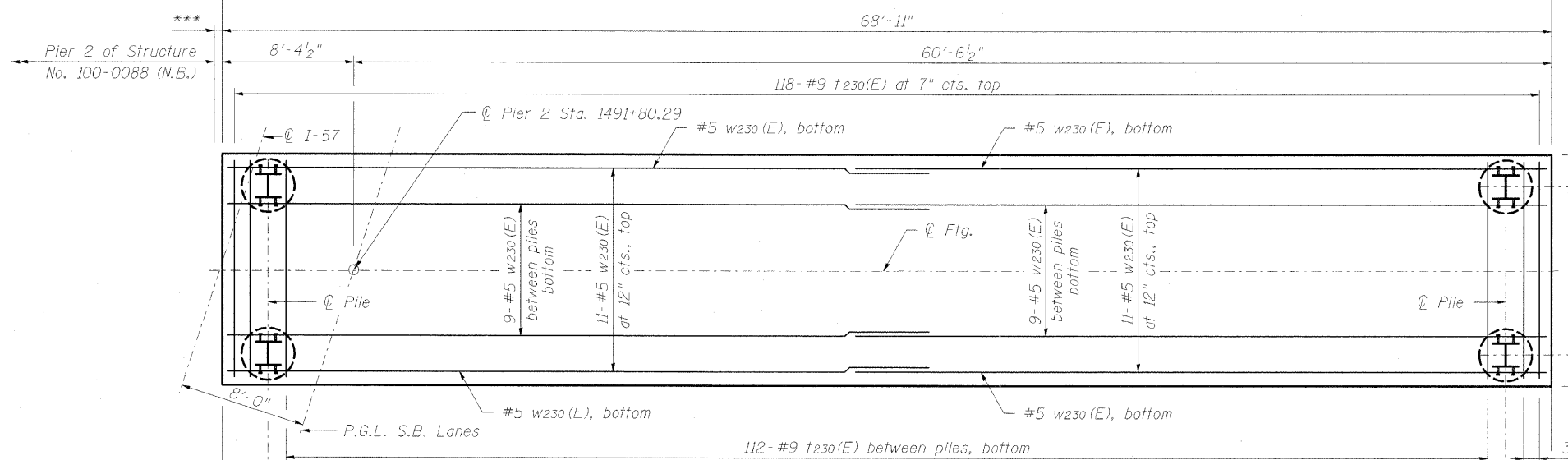


BILL OF MATERIAL

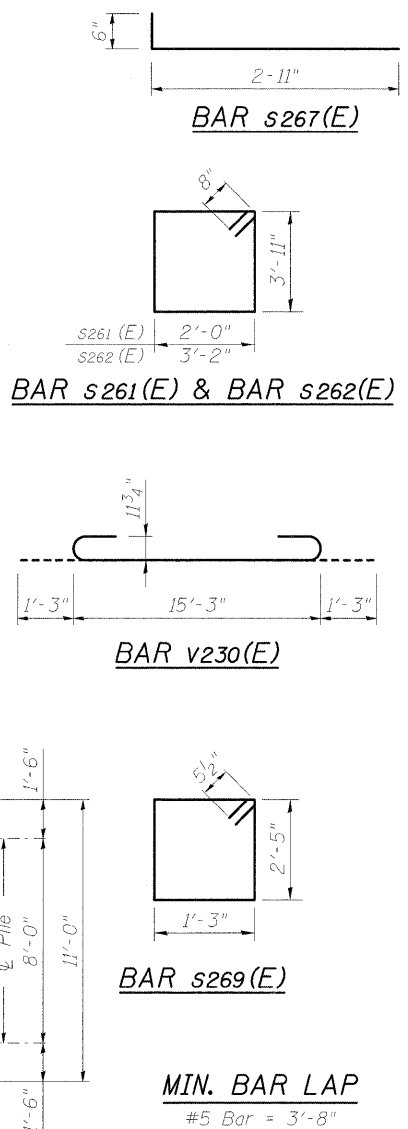
Bar	No.	Size	Length	Shape
h230(E)	12	#5	37'-3"	—
h231(E)	4	#5	47'-10"	—
h232(E)	20	#8	37'-8"	—
h233(E)	20	#6	36'-1"	—
p230(E)	12	#9	40'-3"	—
p231(E)	18	#9	38'-8"	—
p232(E)	9	#9	3'-4"	—
s260(E)	48	#4	5'-4"	□
s261(E)	68	#6	13'-2"	□
s262(E)	67	#6	15'-6"	□
s263(E)	28	#6	9'-2"	□
s264(E)	30	#5	11'-7"	□
s265(E)	280	#5	9'-3"	□
s266(E)	420	#5	3'-5"	□
s267(E)	280	#5	3'-5"	□
s268(E)	280	#5	3'-5"	□
s269(E)	140	#5	8'-3"	□
s270(E)	40	#5	14'-11"	□
s271(E)	4	#8	19'-6"	□
s272(E)	10	#6	13'-0"	□
s273(E)	136	#7	14'-8"	□
s274(E)	136	#7	18'-2"	□
s275(E)	170	#5	4'-2"	□
t230(E)	236	#9	10'-8"	—
u230(E)	8	#6	12'-0"	□
v230(E)	120	#9	17'-9"	□
w230(E)	44	#5	36'-2"	—
Structure Excavation		Cu. Yd.	985	
Concrete Structures		Cu. Yd.	218.8	
Concrete Encasement		Cu. Yd.	18.6	
Form Liner		Sq. Ft.	132	
Reinforcement Bars, Epoxy Coated		Pound	47600	
Furnishing Steel Piles HP14x89		Foot	1020	
Driving Piles		Foot	1020	
Test Pile Steel HP14x89		Each	0	
Concrete Sealer		Sq. Ft.	2534	
Staining Concrete Structure		Sq. Yd.	282	
Concrete Stain		Sq. Yd.	15	



SECTION D-D



FOOTING PLAN



MIN. BAR LAP
#5 Bar = 3'-8"

CMT
CRAWFORD MURPHY & TILLY, INC.
CONSULTING ENGINEERS
SPRINGFIELD, IL ■ AURORA, IL ■ ST. LOUIS, MO
ROCKFORD, IL ■ PEORIA, IL ■ CHICAGO, IL

FILE NAME = ...1-57-849a_PIER DETAILS.II.dgn
USER NAME = Rob Heady
DESIGNED - JDJ
CHECKED - REB
DRAWN - GLD
PLOT DATE = 10/7/2011

DESIGNED - JDJ	REVISD -
CHECKED - REB	REVISD -
DRAWN - GLD	REVISD -
CHECKED - REB	REVISD -

STATE OF ILLINOIS
DEPARTMENT OF TRANSPORTATION

PIER 2 DETAILS
STRUCTURE NO. 100-0089 (S.B.)
SHEET NO. 60 OF 75 SHEETS

F.A.I. RTE.	SECTION	COUNTY	TOTAL SHEETS	SHEET NO.
57	(X1-6-2)HBK-2	WILLIAMSON	968	645
			CONTRACT NO. 78182	
ILLINOIS FED. AID PROJECT				